

Bang & Olufsen

Beovision LX 5000/6000

Type 336X/334X

Beovision MX 4000/6000

Type 332X/330X

Accessories

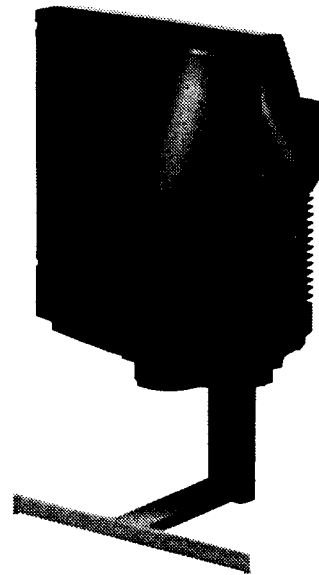
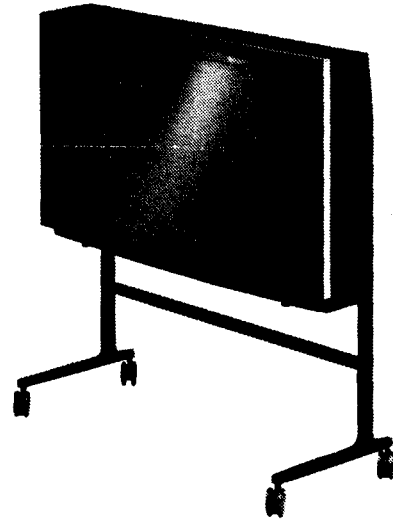
Nicam
Picture-in-Picture
Transposer

Stands LX

TB 4108
ST 4117
MS 4106
MB 4101

Stands MX

TB 4110
ST 4109
MS 4107
MS 4116
MB 4102
MB 4105
WB 4114
MW 4115



CONTENTS	
Survey of modules	1-1
Technical specifications	1-2
Brief operation guide	1-5
Diagrams etc.	2
Explanation of diagram	2-1
Wiring diagram	2-2
Block diagrams	2-3 – 2-8
Diagrams	2-9 – 2-24
Accessories	2-25 – 2-32
List of electrical parts	3
List of mechanical parts	4
Adjustments and repair tips	5
Repair tips:	
Service mode	
Picture tube	
Last error	
Display	
I ² C bus error	
Fault-finding in AFC circuits	
Fault-finding in switch mode power supply	
Guidelines for fault-finding in the horizontal deflection	
Automatic cut-off	
Beolink 1000 MK II and MK III	
Options & shift functions	
Adjustments, English	5-1
Repair tips, English	5-6
Adjustments, German	5-14
Repair tips, German	5-19
Adjustments, French	5-25
Repair tips, French	5-30
Disassembly	6
Insulation test	7

Bang & Olufsen

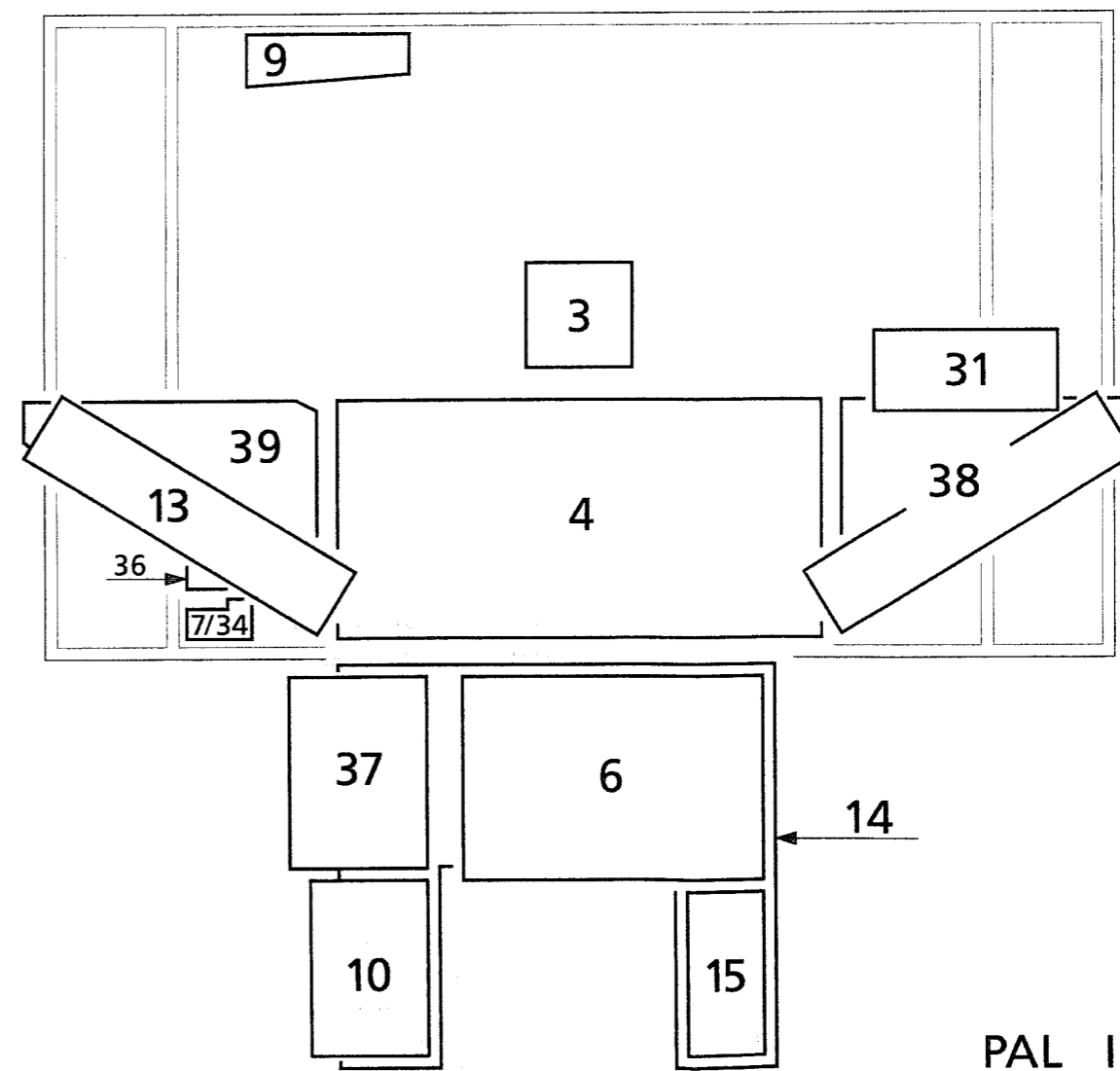
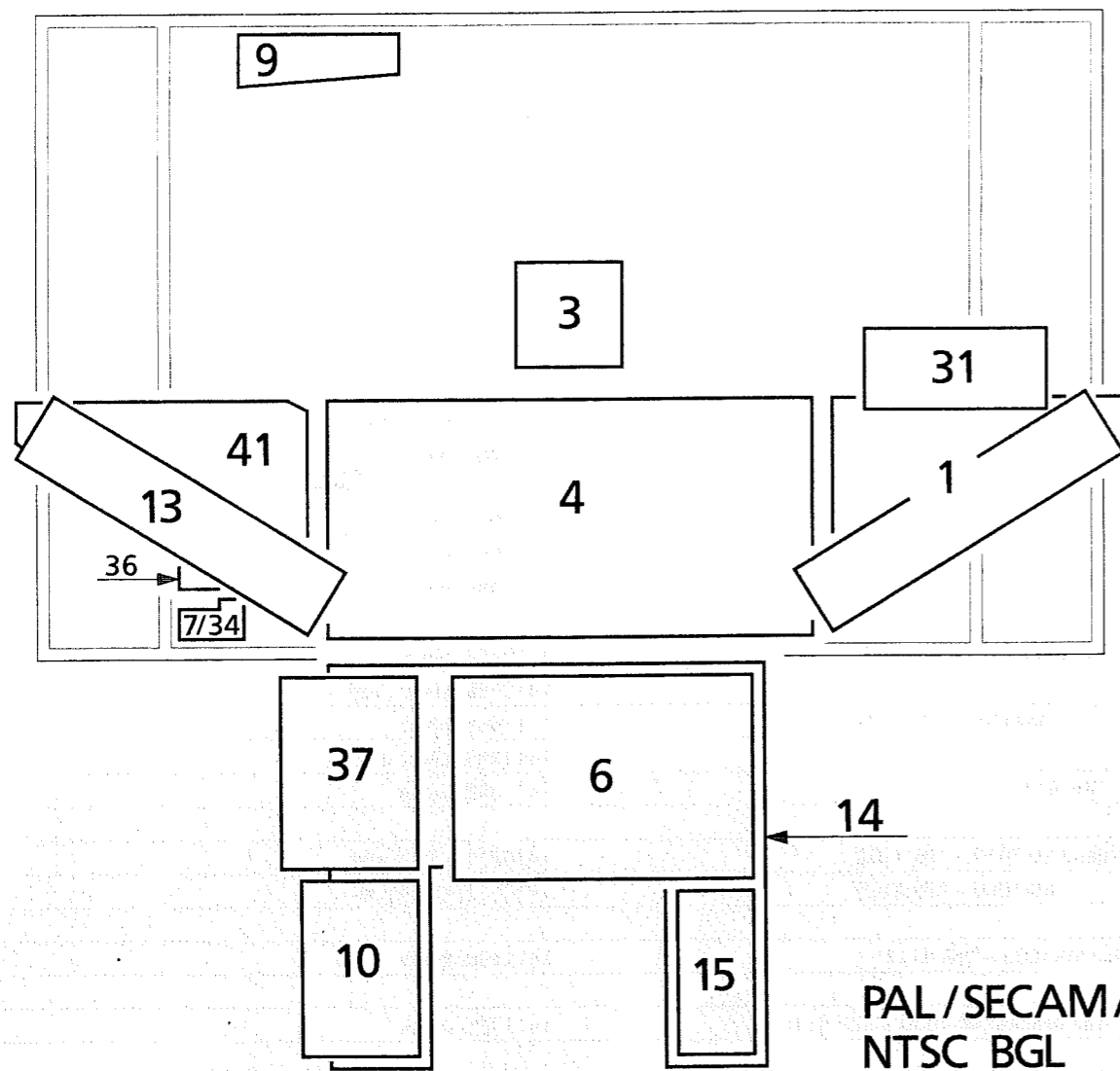
1-1 SURVEY OF MODULES

1 Tuner & IF B/G/L diagram A page 2-9	14 Double AV Switch diagram D-E page 2-16, 17
3 Video Output diagram C-I page 2-15, 23	15 St By Stabilization diagram C-F-G page 2-15, 19, 20
4 Power Supply & Deflection diagram I page 2-23	31 Nicam System B/G/I diagram J page 2-24
6 Microcomputer 64K diagram F-G page 2-19, 20	34 Headphone MX4000 diagram C page 2-15
7 Headphone diagram C page 2-15	36 Deflection Transformer diagram C-I page 2-15, 23
9 IR Transceiver diagram F page 2-19	37 Teletext diagram H page 2-21
10 Sound Output diagram C page 2-15	41 Pal/Secam/NTSC Decoder diagram B page 2-11
13 Sync Processing diagram H page 2-21	

1-1 SURVEY OF MODULES

1-1

3 Video Output diagram C-I page 2-15, 23	15 St By Stabilization diagram C-F-G page 2-15, 19, 20
4 Power Supply & Deflection diagram I page 2-23	31 Nicam System B/G/I diagram J page 2-24
6 Microcomputer 64K diagram F-G page 2-19, 20	34 Headphone MX4000 diagram C page 2-15
7 Headphone diagram C page 2-15	36 Deflection Transformer diagram C-I page 2-15, 23
9 IR Transceiver diagram F page 2-19	37 Teletext diagram H page 2-21
10 Sound Output diagram C page 2-15	38 Tuner & IF System I diagram A page 2-10
13 Sync Processing diagram H page 2-21	39 Pal Decoder diagram B page 2-14
14 Double AV Switch diagram D-E page 2-16, 17	



1-2

1-2 TECHNICAL SPECIFICATIONS

TECHNICAL SPECIFICATIONS	Beovision MX4000-MX6000-LX5000-LX6000
CTV system	* See type survey
Picture tube (Visual picture)	LX5000 63 cm – 25" (59 cm – 23")
	LX6000 70 cm – 28" (66 cm – 26")
	MX4000 55 cm – 21" (51 cm – 20")
	MX6000 70 cm – 28" (66 cm – 26")
Picture tube system	Flat square, Black Line, Black matrix, In-Line 110 degrees
Cabinets	LX: Rosewood – White – Grey – Black – White Line – Black Line
	MX: Red – White – Black – Blue – Grey
Operation	Beolink 1000, one-way
	Beolink 5000, two-way
	Beolink 7000, two-way
TV tuner range	46-855 MHz: VHF, S, Hyper, UHF channels *(System I 470-855 MHz: UHF channels)
No. of TV programmes	59 (+5 for local rooms)
Station identification	Station naming/program list
Satellite	*Prepared for Beosat LM
No. of satellite programmes	>99
Signal/noise level	>35 dB/1Vpp and antenna signal >1 mV
Crosstalk between sources	>45 dB/5 MHz
Teletext	FLOF, 6-alphabet
Teletext memory	4 x 59 page nos.
Sound system	*Nicom + A2 stereo decoder + A2 dual language
Speaker system	2 x Bass reflex, (MX 4000 2 x Log Line)
Long-term max. output power	2 x 40 watts/8 ohms
Harmonic distortion	<0.5% at 15 watts
Intermodulation	<1%
Signal/noise ratio	>50 dB weighted 50 mW (Nicom >70 dB)
Frequency range	25-20,000 Hz \pm 1.5 dB
Power bandwidth	25-20,000 Hz
Channel separation	A2 stereo >26 (Nicom >50 dB)
Bass control	\pm 8 dB/100 Hz
Treble control	\pm 8 dB/10,000 Hz
Crossover frequency	3200 Hz
Other data	
Mains voltage	230 volts, 50-60 Hz
Power consumption	95 (75-200) watts
Power consumption Stand-by	3.5 watts
Dimensions W x H x D/Weight	LX5000 78 x 47 x 42 cm/36.5 kg
	LX6000 86 x 52 x 46 cm/43 kg
	MX4000 51 x 55 x 41.5 cm/23 kg
	MX6000 65 x 67.5 x 46.5 cm/40.3 kg

1-2

1-2 TECHNICAL SPECIFICATIONS

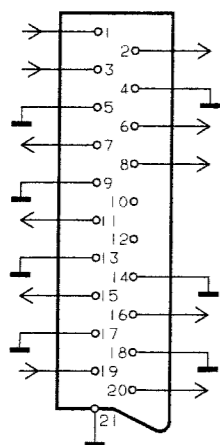
Bang & Olufsen

Accessories	
Nicom module	1412700 system B/G/I
D2 MAC module	1300300
Beosat LM installation kit	1300200 (with sw version 3.0 or higher)
Positioner module	1301200
Power positioner module	8729020
NTSC system M module	*8007997
Picture-in-picture module	1412600
	1412300 (MX4000)
Transposer	*1306125 white
	*1306126 black
Sound extension kit:	
Pal I sound kit for B/G/L	*3390452
East D/K sound kit for B/G/L	*3390453
Stands LX5000 – LX6000	
Table: TB 4108	1410865, white
	1410866, black
Traverse: LX6000 – TR 4103	1410365, white
	1410366, black
LX5000 – TR 4104	1410465, white
	1410466, black
Shelf: LX6000 – SH 4111	1411113, metal grey
	LX5000 – SH 4112
Stand: ST 4117	1411766, black
	1411769, silver grey
Shelf: SH 4113	1411366, black
Motorized stand: MS 4106	1410666, black
	1410669, silver grey
Shelf: SH 4113	1411366, black
Motorized base: MB 4101	1410111, aluminium
Stands MX4000 – MX6000	
Table MX4000 – TB 4110	1411066, black
	1411069, silver grey
Shelf: VX – SH 4113	1411366, black
Stand MX6000 – ST 4109	1410966, black
	1410969, silver grey
Shelf: VX – SH 4113	1411366, black
Motorized stand MX6000 – MS 4107	1410766, black
	1410769, silver grey
MX4000 – MS 4116	1411666, black
	1411669, silver grey
Shelf: VX – SH 4113	1411366, black
Motorized base MX6000 – MB 4102	1410211, aluminium
	MX4000 – MB 4105
Wall bracket MX4000 – WB 4114	1411466, black
Motorized wall bracket MX4000 – MW 4115	1411566, black

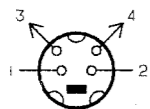
Bang & Olufsen

1-3 TECHNICAL SPECIFICATIONS

AV1 & AV2	Pin 1	Audio R out 1V RMS 820 ohms
	Pin 2	Audio R in 1V RMS 47 kohms
	Pin 3	Audio L out 1V RMS 820 ohms
	Pin 4	Audio ⊥
	Pin 5	Blue ⊥
	Pin 6	Audio L in 1V RMS 47 kohms
	Pin 7	Blue in 0.7Vpp 75 ohms
	Pin 8	12V sense Logic 0 = 0V-2V 10 kohms Logic 1 = 9.5V-12V 10 kohms Data High: Logic 0 = 9.5V-10.3V Logic 1 = 11V-12V Low: Logic 0 = 0V-0.55V Logic 1 = 1.25V-2V
	Pin 9	Green ⊥
	Pin 10	Not used
	Pin 11	Green in 0.7 Vpp 75 ohms
	Pin 12	Not used
	Pin 13	Red ⊥
	Pin 14	Blanking ⊥
	Pin 15	Red in 0.7 Vpp 75 ohms
	Pin 16	Blanking in Logic 0=0 to 0.4V Logic 1=1 to 3V R in 75 ohms
	Pin 17	Video out ⊥
	Pin 18	Video in ⊥
	Pin 19	Composite video out 1Vpp 75 ohms (Y-insert only AV1)
	Pin 20	Composite video in 1Vpp 75 ohms
	Pin 21	Shield

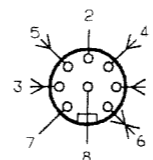


S-VHS	Pin 1	Y ⊥
	Pin 2	C ⊥
	Pin 3	Luminance in (Y) 1Vpp 75 ohms
	Pin 4	Chrominance in (C) 75 ohms

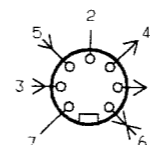


1-3 TECHNICAL SPECIFICATIONS

POWER LINK 1&2	Pin 1	PL ON = >2.5V, OFF = <0.5V
	Pin 2	Signal ⊥
	Pin 3	AF out left max. 1V RMS
	Pin 4	PL Speaker ON = >2.5 V, OFF = <0.5V
	Pin 5	AF out right max. 1V RMS
	Pin 6	Data: High >3.5V, Low <0.8V
	Pin 7	⊥
	Pin 8	Not used

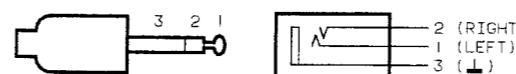


AUDIO AUX LINK	Pin 1	AF in left 0.25 - 2V RMS 47 kohms
	Pin 2	Signal ⊥
	Pin 3	AF out left 1V RMS 1 kohms
	Pin 4	AF in right 0.25-2V RMS 47 kohms
	Pin 5	AF out right 1V RMS 1 kohms
	Pin 6	Data: High >3.5V, Low <0.8V
	Pin 7	Not used



EXTERNAL SPEAKERS L&R	>8 ohms passive speakers
-----------------------	--------------------------

HEADPHONE	∅3.5 mm 220 ohms in series to the output amplifier. The internal and external speakers are switched off when the headphone is connected.
-----------	---



B&O STAND	Pin 1	Supply out 12.5V-15V max. 350 mA
	Pin 2	Supply ⊥
	Pin 3	Data
	Pin 4	Data ⊥



Subject to change without notice

1-4

1-4
TYPE SURVEY1-4
TYPE SURVEY

Bang & Olufsen

*TYPE SURVEY									Mounting modules for modification to other TV transmission systems				
LX6000	LX5000	MX6000	MX4000	System	Colour	Stereo	Remarks		PAL B/G/I	PAL/SECAM B/G/L ¹⁾	PAL/SECAM B/G/D/K	PAL/SECAM B/G/L ¹⁾	PAL/SECAM B/G NTSC M
3340	3360	3300	3320	B/G/L ¹⁾	PAL/SECAM	A2	EU			3390452	3390453		8007997
3341	3361	3301	3321	B/G/L ¹⁾	PAL/SECAM	A2+NICAM	EU			3390452	3390453		8007997
3343	3363	3303	3323	I	PAL	NICAM	GB		3390452 +8007449	3390452 +8007449 +8008062	3390453 +8007449 +8008062	8007449 +8008062	8007997 +8008062
3344	3364	3304	3324	B/G/L ¹⁾	PAL/SECAM	A2	Italy			3390452	3390453		8007997
3345	3365	3305	3325	B/G/L ¹⁾	PAL	A2	AUS		3390452 +8007449	3390452 +8007449 +8008062	3390453 +8007449 +8008062	8007449 +8008062	8007997 +8008062
3346	3366	3306	3326	B/G/L ¹⁾	PAL/SECAM	A2	SAT EU			3390452	3390453		8007997
3347	3367	3307	3327	B/G/L ¹⁾	PAL/SECAM	A2+NICAM	SAT EU			3390452	3390453		8007997
3348	3368	3308	3328	B/G/L ¹⁾	PAL/SECAM	A2+NICAM	SAT D2 MAC EU			3390452	3390453		8007997
3349	3369	3309	3329	I	PAL	NICAM	SAT GB		3390452 +8007449	3390452 +8007449 +8008062	3390453 +8007449 +8008062	8007449 +8008062	8007997 +8008062
3350	3370	3310	3330	I	PAL	NICAM	SAT D2 MAC GB		3390452 +8007449	3390452 +8007449 +8008062	3390453 +8007449 +8008062	8007449 +8008062	8007997 +8008062

¹⁾System L: To receive VHF band 1 system L, the TV has to be fitted with a transposer part no. 1306125 (white) 1306126 (black).

8007449 Tuner & IF system B/G/L PCB.

3390452 Small bag with components to extend 8007449 to system I.

3390453 Small bag with components to modify 8007449 to system B/G/D/K.

8008062 PAL/SECAM/NTSC colour decoder PCB. TV's equiped with 8008062 (PAL/SECAM MODELS)

are able to receive NTSC on AV.

8007997 Tuner & IF system B/G/M PCB.

Bang & Olufsen

BRIEF OPERATION GUIDE

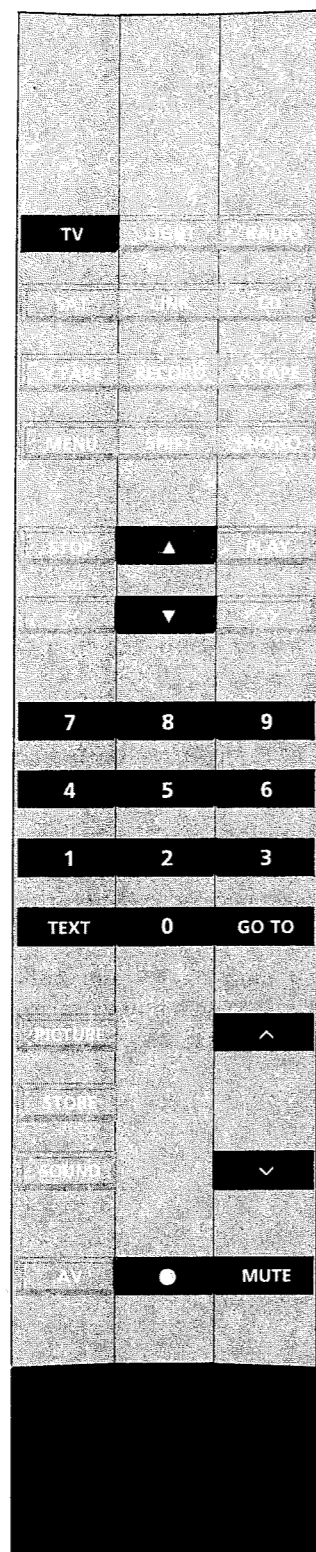
Beolink 1000 MK III Main/daily operations

- TV** Switches on the TV
You will see the TV program you were last watching
The program number and the program name appear briefly at the top of the screen
- ▲** Steps through programs
or
▼
- 0** Selects specific programs; press 0 alone to switch to the program you were last on
through
9

- TEXT** Switches to teletext
Press ▲ or ▼ to step through the memory pages
- GOTO** Enables you to access specific teletext pages
Press GOTO, then key in the page number desired using the number buttons, or press ▲ or ▼

- ▲** Raises the volume
▼ Lowers the volume
- MUTE** Mutes the sound immediately
Press again to recall the sound

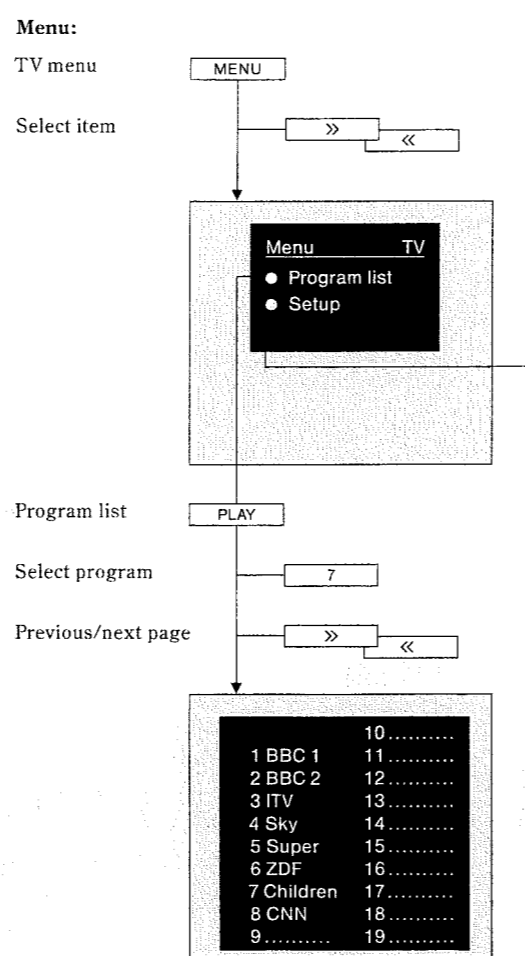
- Switches off the TV
The red stand-by light appears in the upper right-hand corner of the screen



Options and shift functions:
See Repair tips

1-5 BRIEF OPERATION GUIDE

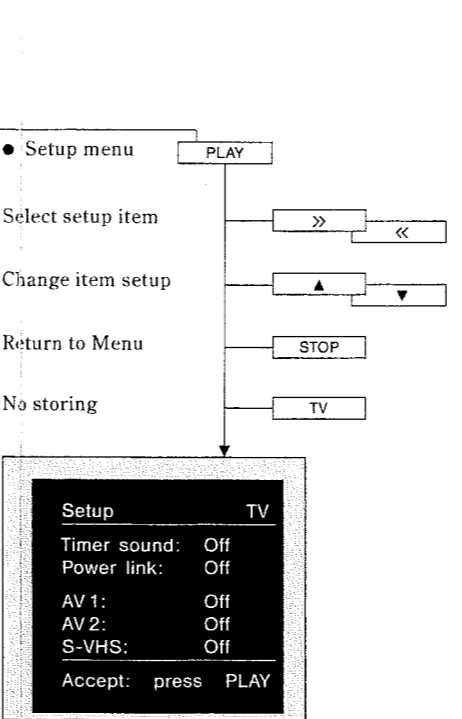
- Sound and picture adjustments:**
- Raises/lowers the level **▲** **▼**
 - Sound adjustments:**
 - Volume level **SOUND**
 - Reset the sound levels **SHIFT** **MUTE**
 - *Internal speakers **1**
 - *External PL speakers **2**
 - *Int. and ext. speakers **3**
 - Store all sound levels **STORE** **STORE**
 - Loudspeaker balance **SOUND**
 - Bass level **SOUND**
 - Treble level **SOUND**
 - Loudness **SOUND**
 - Switch sound type **SHIFT** **SOUND**
 - Store the current sound to the program number **STORE** **3** **STORE**
- *Only if you have connected a pair of Bang & Olufsen Power Link speakers. Select "Power Link: On" in the Setup menu (see Menu).*



1-5 BRIEF OPERATION GUIDE

- On-screen display:**
- Volume 44
 - Volume 34
 - Volume 34 Int.
 - Volume 34 Ext.
 - Volume 34 All
 - Balance L --- R
 - Bass 0
 - Treble 0
 - Loudness off
 - TV3 Mono Language 1

- **You only have to program the TV setup if....**
 - You have connected Power Link speakers
 - You have connected a compatible Bang & Olufsen audio system
 - You have connected a Bang & Olufsen video tape recorder of a type other than the Beocord VX
 - You have connected any non-Bang & Olufsen AV equipment



1 BBC 1	10
2 BBC 2	11
3 ITV	12
4 Sky	13
5 Super	14
6 ZDF	15
7 Children	16
8 CNN	17
9	18
10	19

Setup	TV
Timer sound:	Off
Power link:	Off
AV 1:	Off
AV 2:	Off
S-VHS:	Off
Accept:	press PLAY

- Picture adjustments:**
- Brilliance level **PICTURE** **PICTURE** Brilliance 32
 - Mute/unmute picture **MUTE**
 - Store all picture levels **STORE** **STORE**
 - Colour intensity **PICTURE** Colour 32
 - Contrast level **PICTURE** Contrast 44
- Clock:**
- Display the time **PLAY**
 - Teletext time **TEXT**
 - Manual time set **1** **9** **3** **0**
 - Store the time **STORE** **STORE**
- Tuning:**
- Tuning function **TV** **GOTO**
 - Up/down the frequencies **▲** **▼** Tuning F:xxx
 - Key in frequency **2** **1** **0** Tune F:210 Sys: B/G
 - Decoder on/off **SHIFT** **PICTURE** Tune F:210 Dec on Sys: B/G
 - Manual TV-system switching **SHIFT** **3** Tune F:210 Sys: L
 - Fine tuning **GOTO** Fine tune F:210
 - Up/down the steps **▲** **▼** Fine tune F:210 + 2
 - Naming TV stations **GOTO** Program name:
 - Reveal the letter or number **▲** **▼** Program name: A
 - Upper/lower case **0** Program name: a
 - Next character **»** **«** Program name: A ■
 - Storing function **STORE** TV -- (red)
 - Program number **5** **9** TV 59 (red)
 - Clear program number **0** TV - 0 (red)
 - Store/clear the station **STORE** TV59/TV (light blue)
- Decoder
The Dec off cue appears in the tuning display only if you have set up the TV for decoder use (see Menu).

2-1**2-1**
EXPLANANATION OF DIAGRAM

EXPLANATION OF DIAGRAM Type numbers of transistors and ICs are indicated on the diagrams. If the position number is followed by an asterisk the spare part number must always be used because the component in question has been specially selected, e.g. TR102*.

Component print and coordinate system The largest PCBs have component prints and a coordinate system on both the print and the component side. On the diagrams every component has a coordinate number. This indicates in which coordinate on the PCB the component is situated. The coordinate numbers are written in smaller print types than the position numbers.

Control Circuit In certain control circuits the active mode is indicated by a function term or by an abbreviation. This may be e.g. ST.BY. = low in the stand-by mode or ST.BY. = high in the stand-by mode.

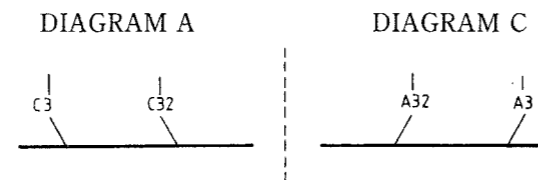
Wiring Connections The wiring connections on the diagrams are assembled in 'bundles'. The individual wires are provided with one of the following codes:

INTERNAL CONNECTION ON ONE DIAGRAM PAGE



Internal connections on a diagram page are indicated by a number. The bend of the wire indicates in which direction the other end of the wire is found.

CONNECTION TO ANOTHER DIAGRAM PAGE



A connection to another diagram page is indicated by a number as well as by a letter of the diagram to which the connection leads.

2-1

EXPLANANATION OF DIAGRAM

Ground symbols

Three different ground symbols are used in the diagrams:
 = Ground that is not galvanically separated from the mains. (Used in diagram I, PCB4).

= Ground

= Signal ground

Signal paths and IC markings

The signal paths are shown in the diagrams by means of semibold lines and arrow heads. As shown, three different types of arrow head are used:

= Video, luminance and chrominance signals

= Sound signal

= Other signals

The arrow heads shown in the IC pins tell whether the pin indicated is an input or an output.

MEASURING CONDITIONS

Measure all DC voltages in relation to ground and with voltmeter or oscilloscope with inner resistance of at least 2 Mohm.

Measure DC voltages and oscilloscope pictures in TV mode at an UHF aerial signal (colour bar) of approx. 1.5 mV. Brilliance step 32, contrast step 44 and colour saturation step 32.

SYMBOL FOR SAFETY RESISTORS



When replacing components with this symbol the same type has to be used, also the same values for ohm and watt. The new component is to be mounted in the same way as the replaced one.

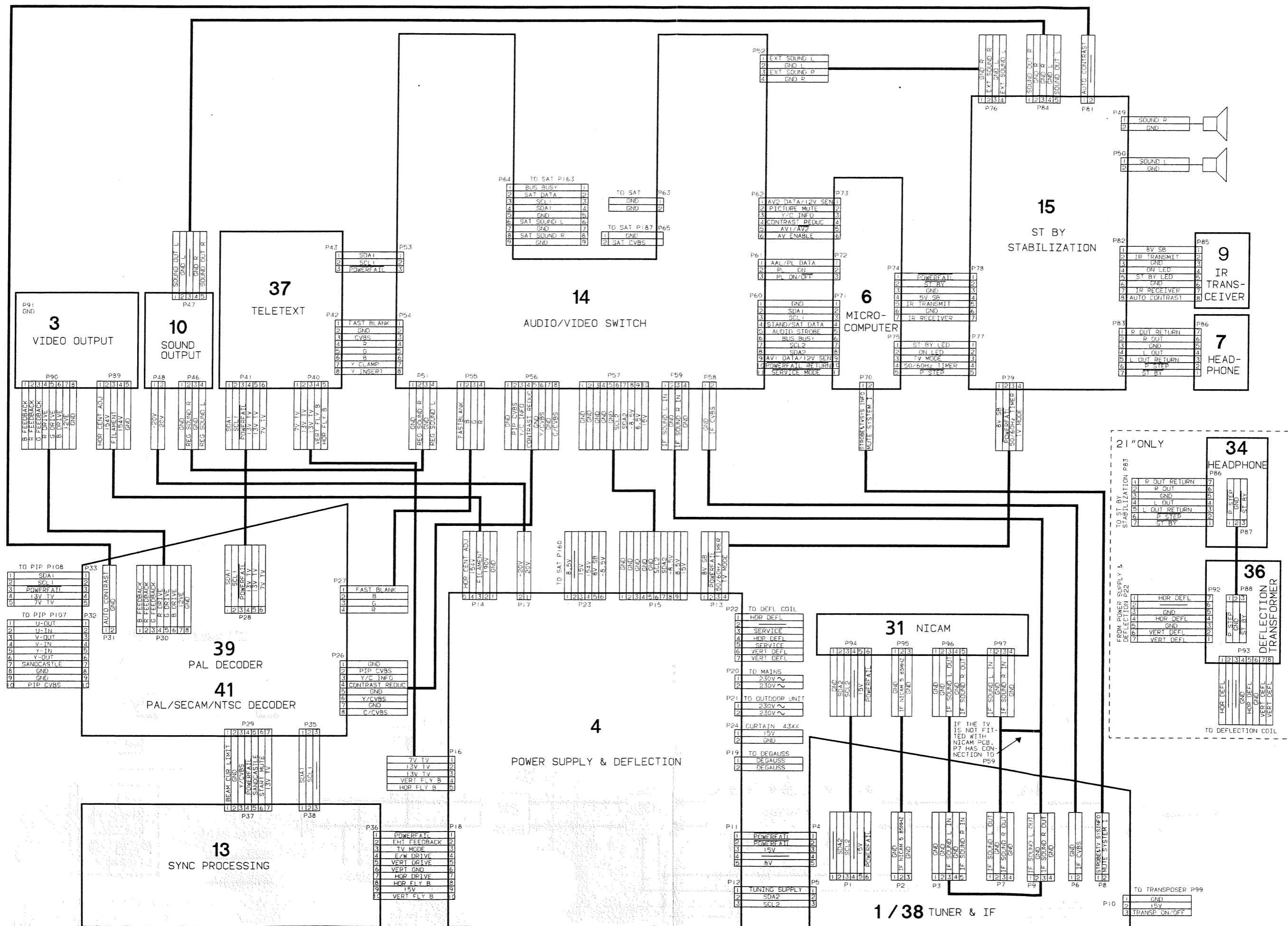
Bang & Olufsen

2-2
WIRING DIAGRAM

2-2
WIRING DIAGRAM

2-2

WIRING DIAGRAM



2-3

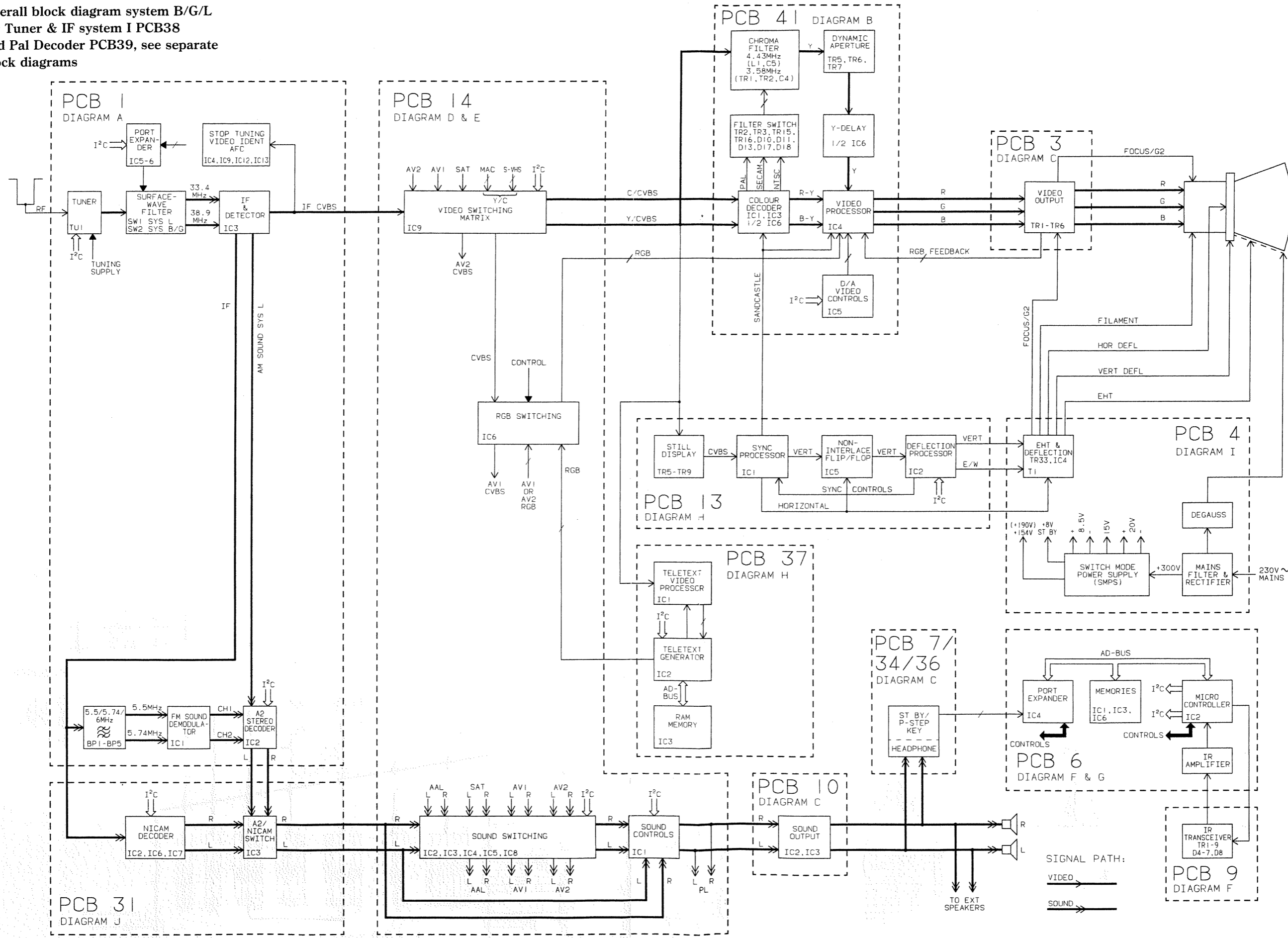
2-3
BLOCK DIAGRAM

2-3
BLOCK DIAGRAM

Bang & Olufsen

OVERALL BLOCK DIAGRAM

Overall block diagram system B/G/L for Tuner & IF system I PCB38 and Pal Decoder PCB39, see separate block diagrams



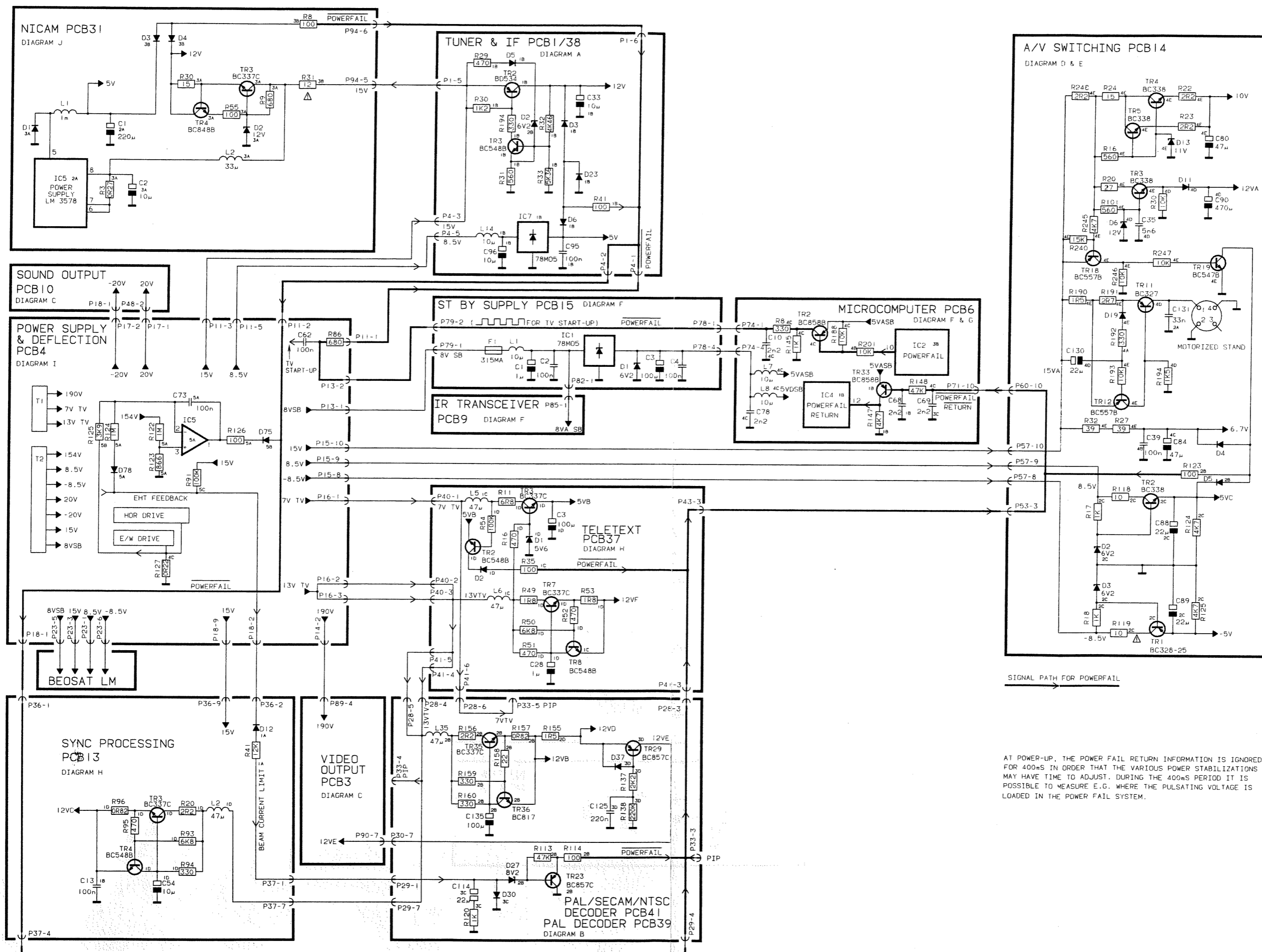
Bang & Olufsen

2-4
BLOCK DIAGRAM

2-4
BLOCK DIAGRAM

2-4

DIAGRAM FOR POWER SUPPLY AND POWER FAIL



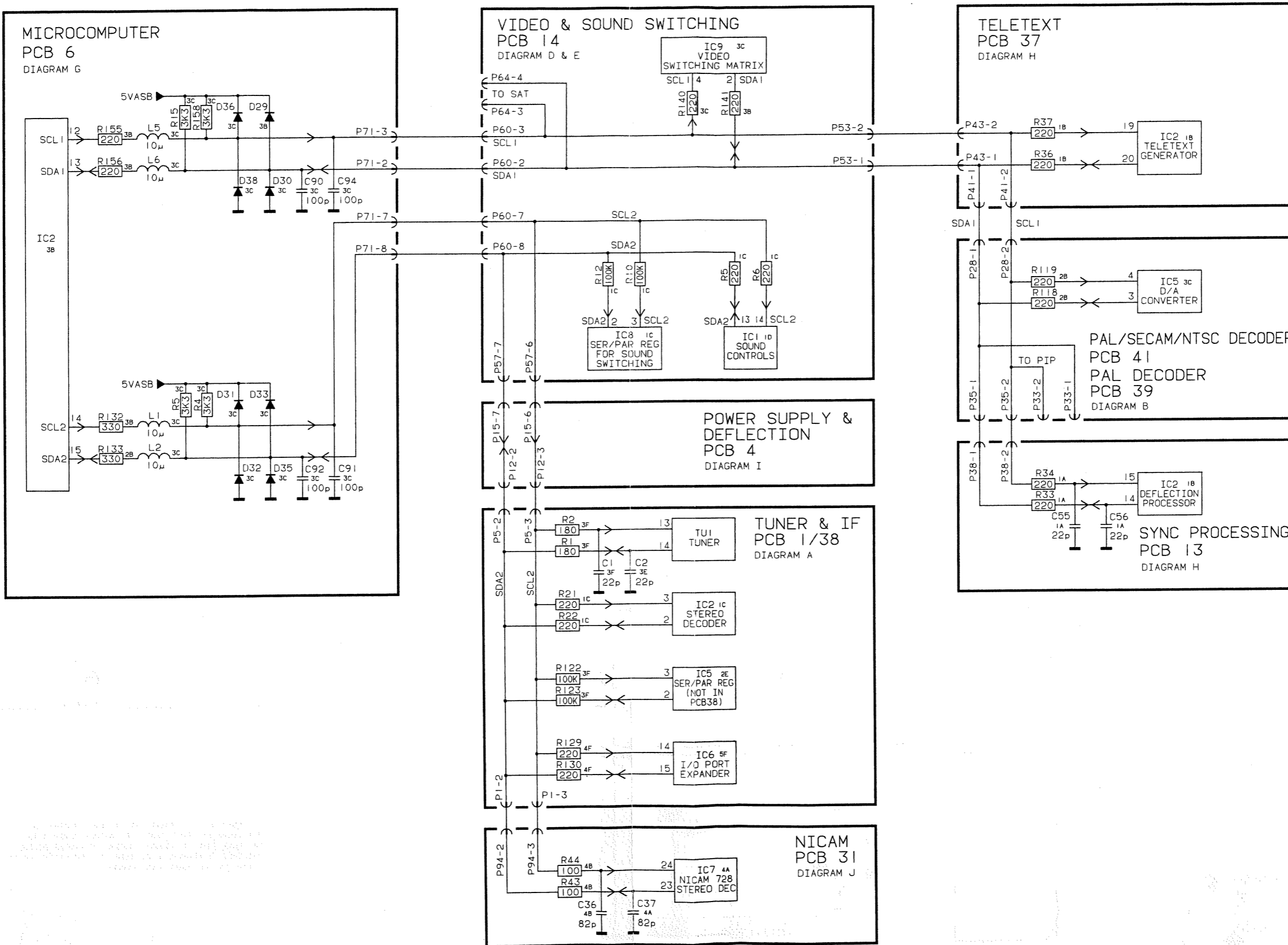
2-5

2-5
BLOCK DIAGRAM

2-5
BLOCK DIAGRAM

Bang & Olufsen

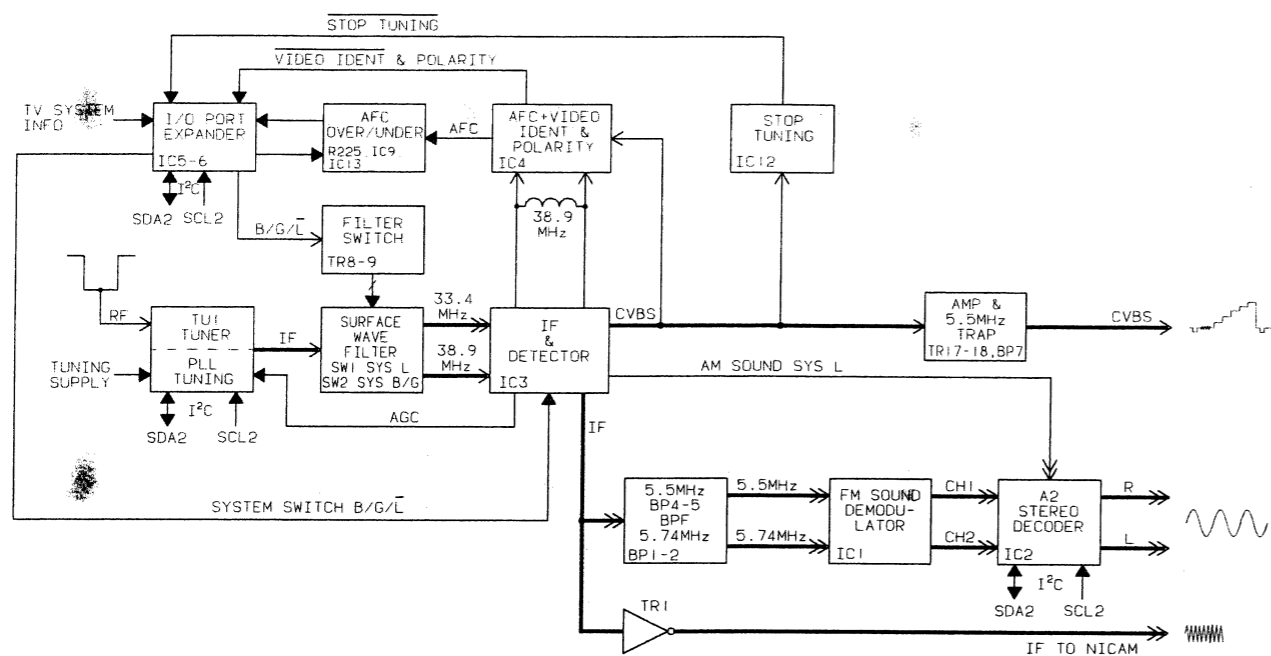
BLOCK DIAGRAM I²C BUS



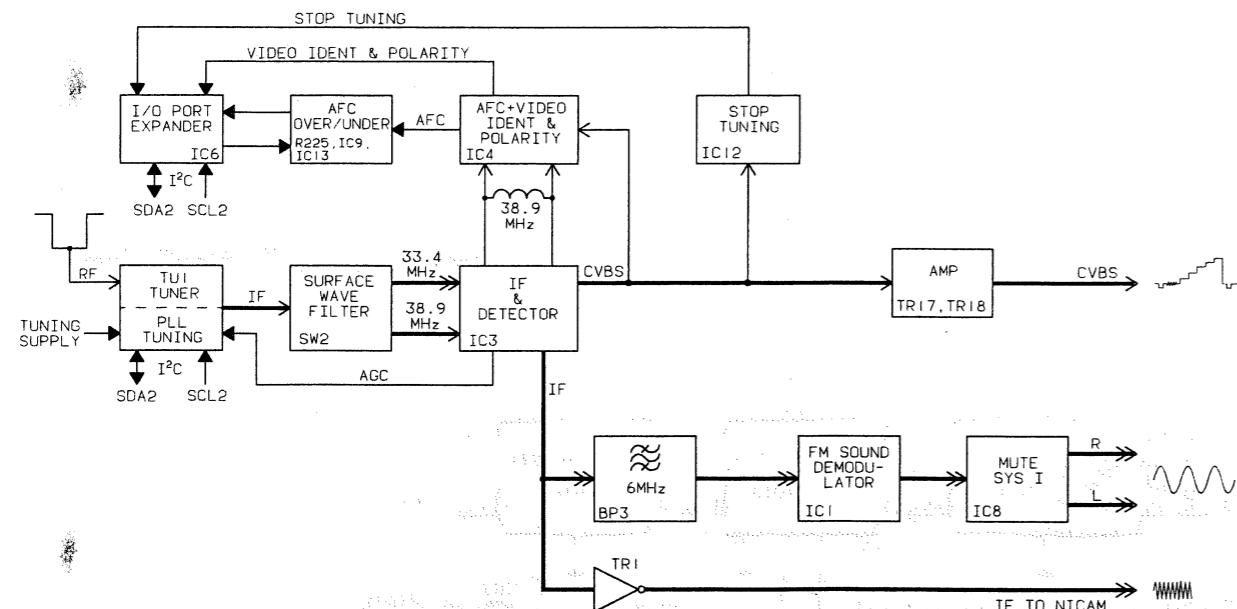
Bang & Olufsen

2-6 BLOCK DIAGRAM

BLOCK DIAGRAM TUNER & IF SYSTEM B/G/L

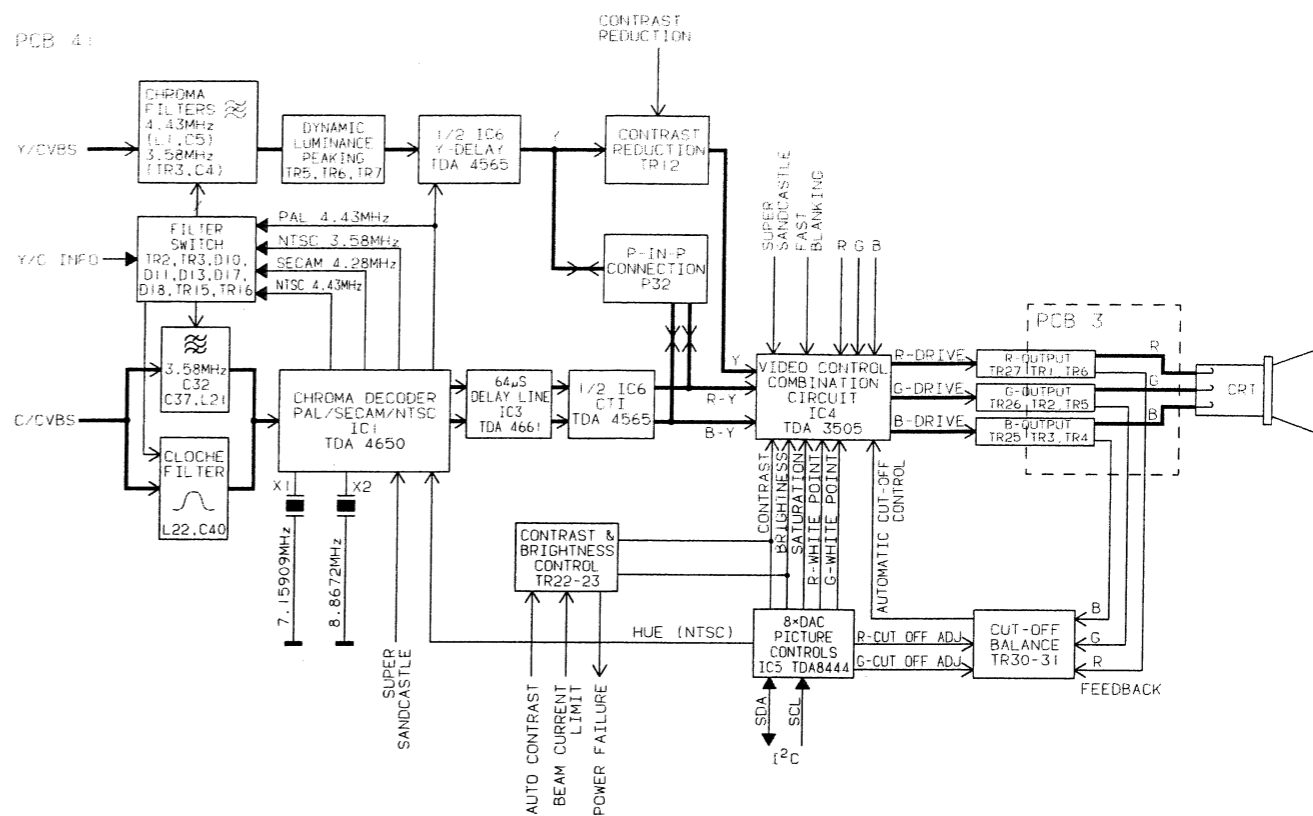


BLOCK DIAGRAM TUNER & IF SYSTEM I

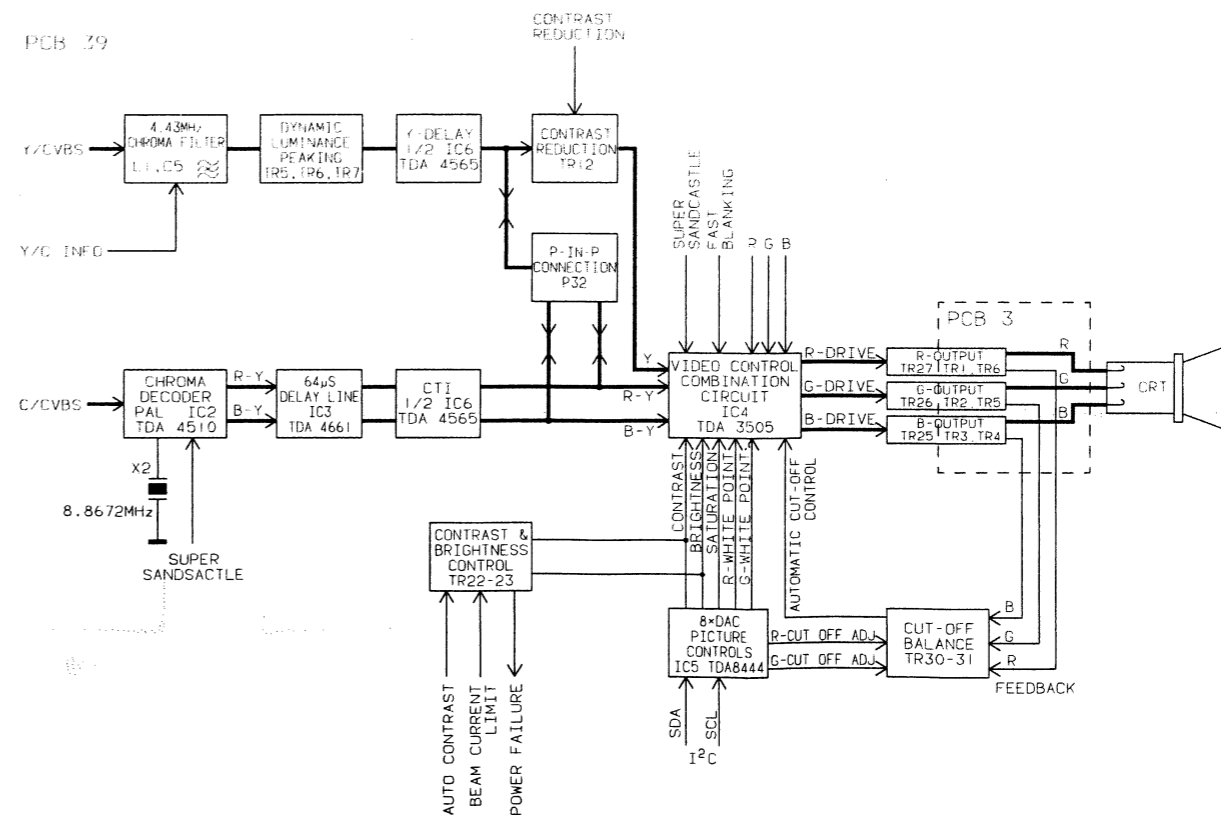


2-6 BLOCK DIAGRAM

BLOCK DIAGRAM PAL/SECAM/NTSC DECODER



BLOCK DIAGRAM PAL DECODER



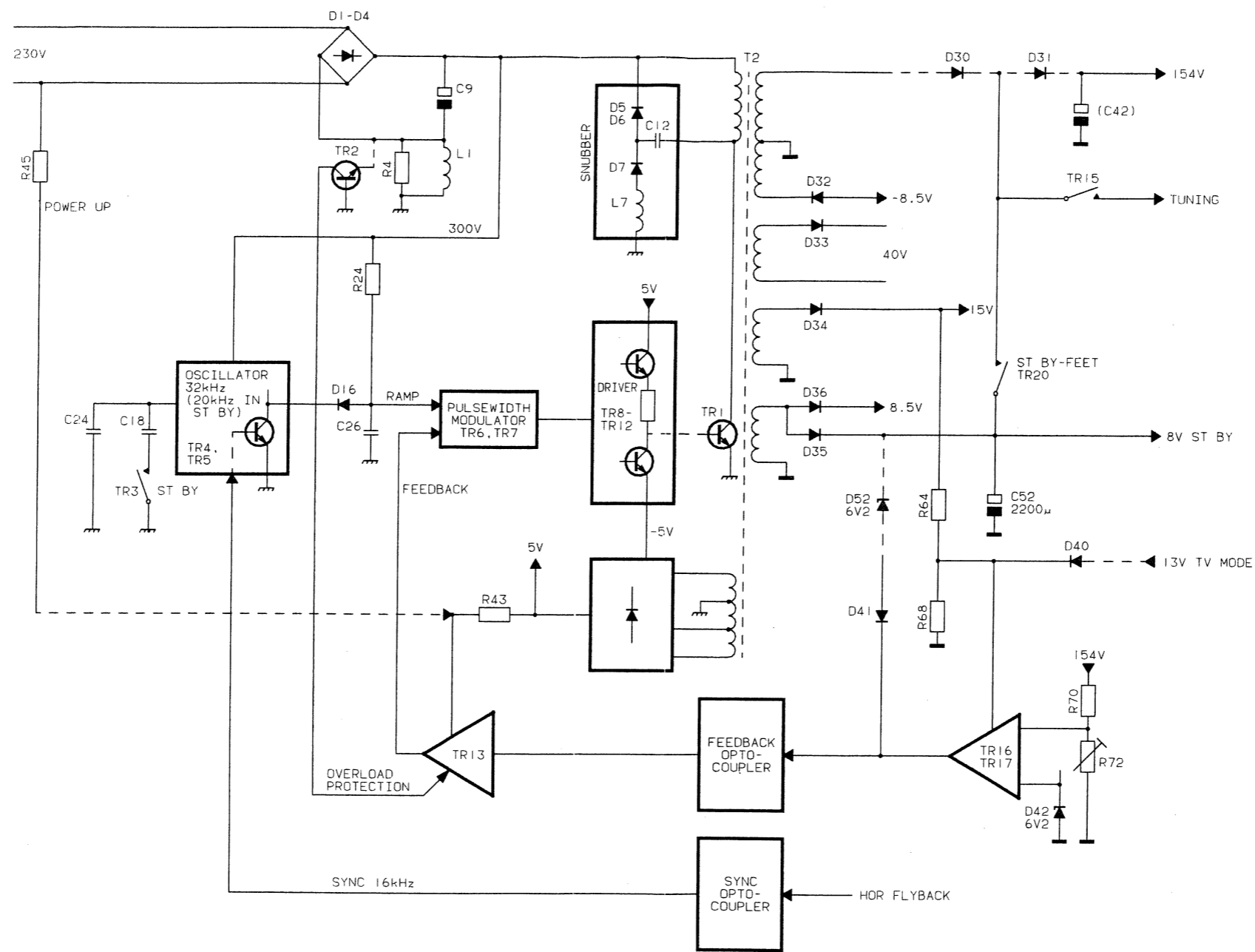
2-7

2-7
BLOCK DIAGRAM

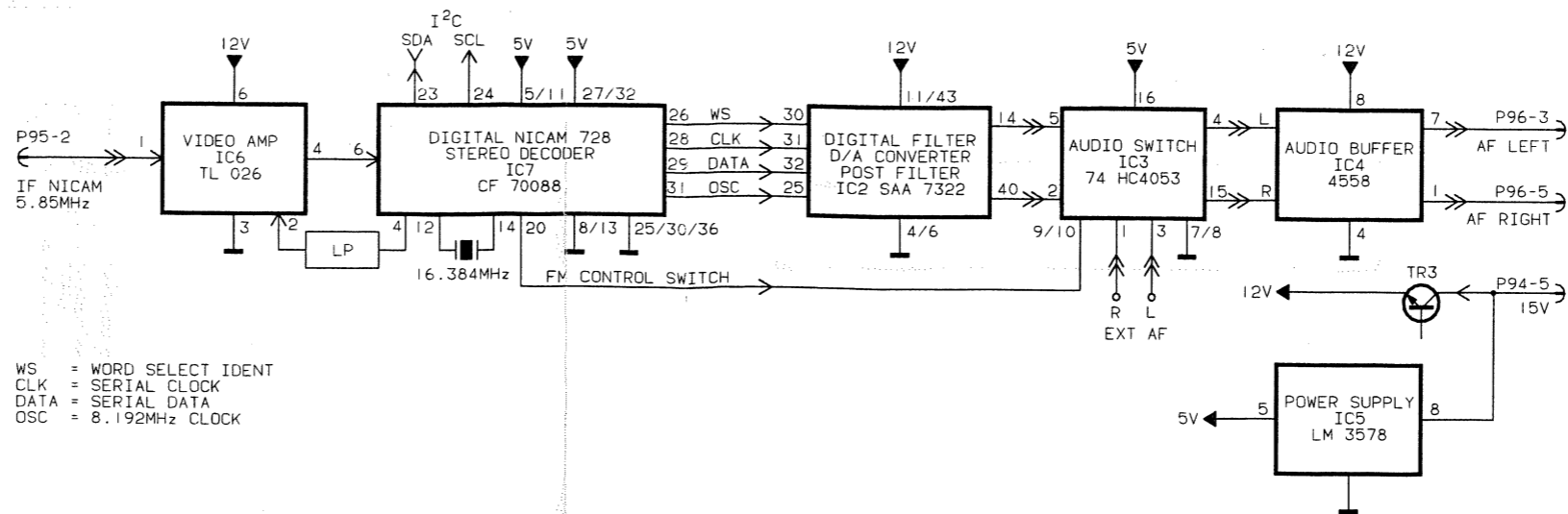
2-7
BLOCK DIAGRAM

Bang & Olufsen

BLOCK DIAGRAM SWITCH MODE POWER SUPPLY



BLOCK DIAGRAM NICAM



WS = WORD SELECT IDENT
 CLK = SERIAL CLOCK
 DATA = SERIAL DATA
 OSC = 8.192MHz CLOCK

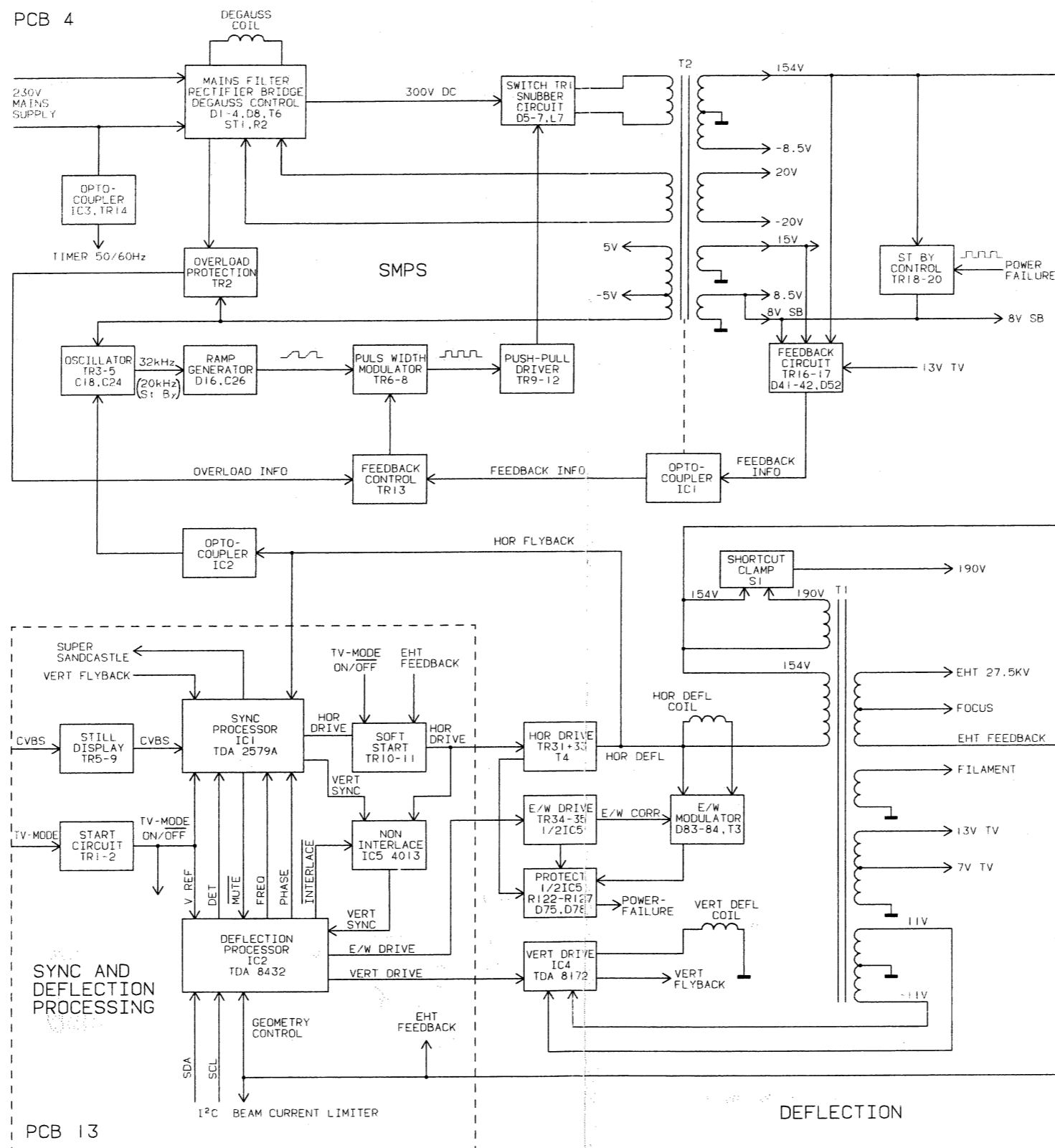
Bang & Olufsen

2-8
BLOCK DIAGRAM

2-8
BLOCK DIAGRAM

2-8

BLOCK DIAGRAM FOR POWER SUPPLY & DEFLECTION



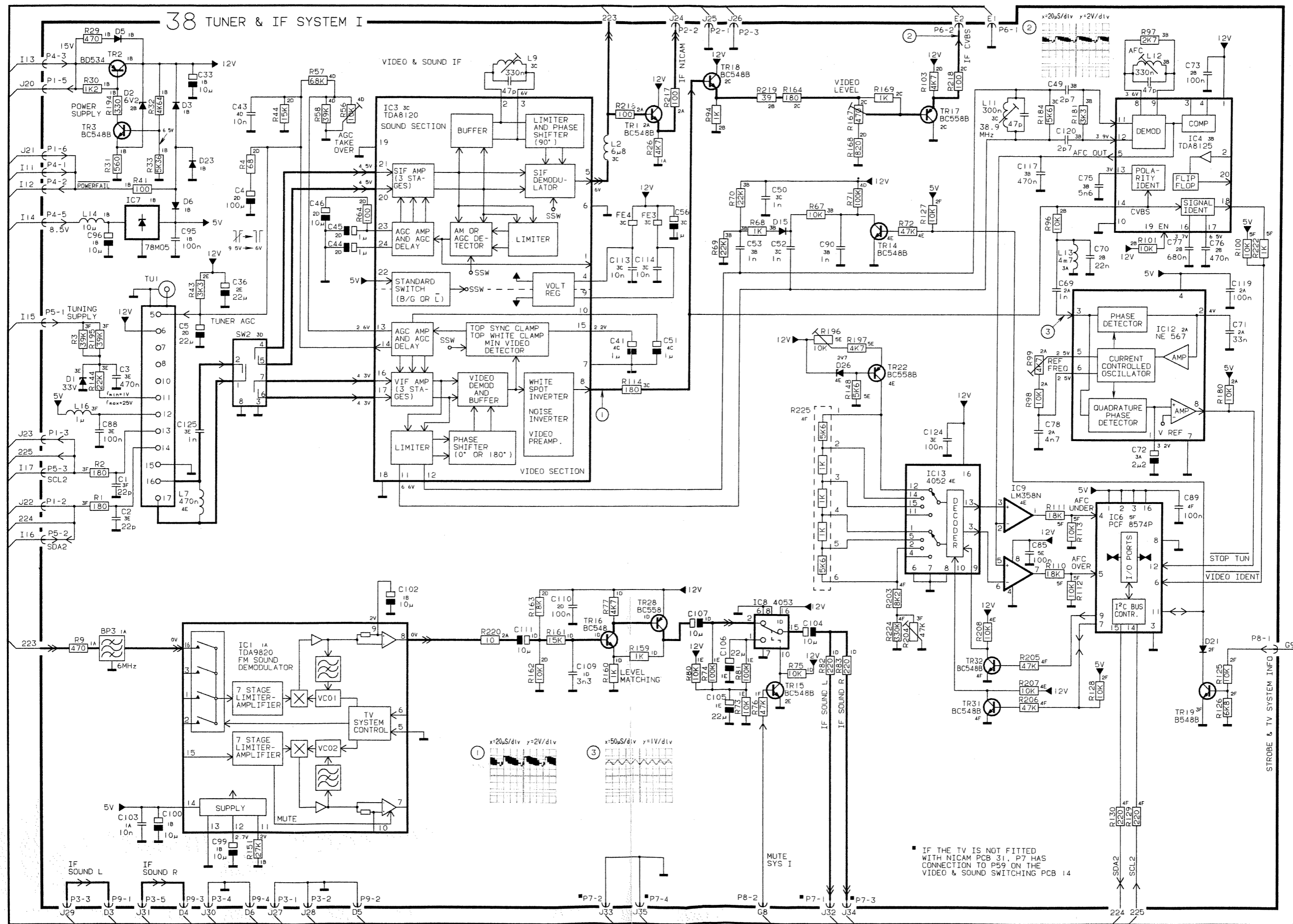
2-9

2-9
DIAGRAM A

2-9
DIAGRAM A

Bang & Olufsen

DIAGRAM A TUNER & IF SYSTEM B/G/L



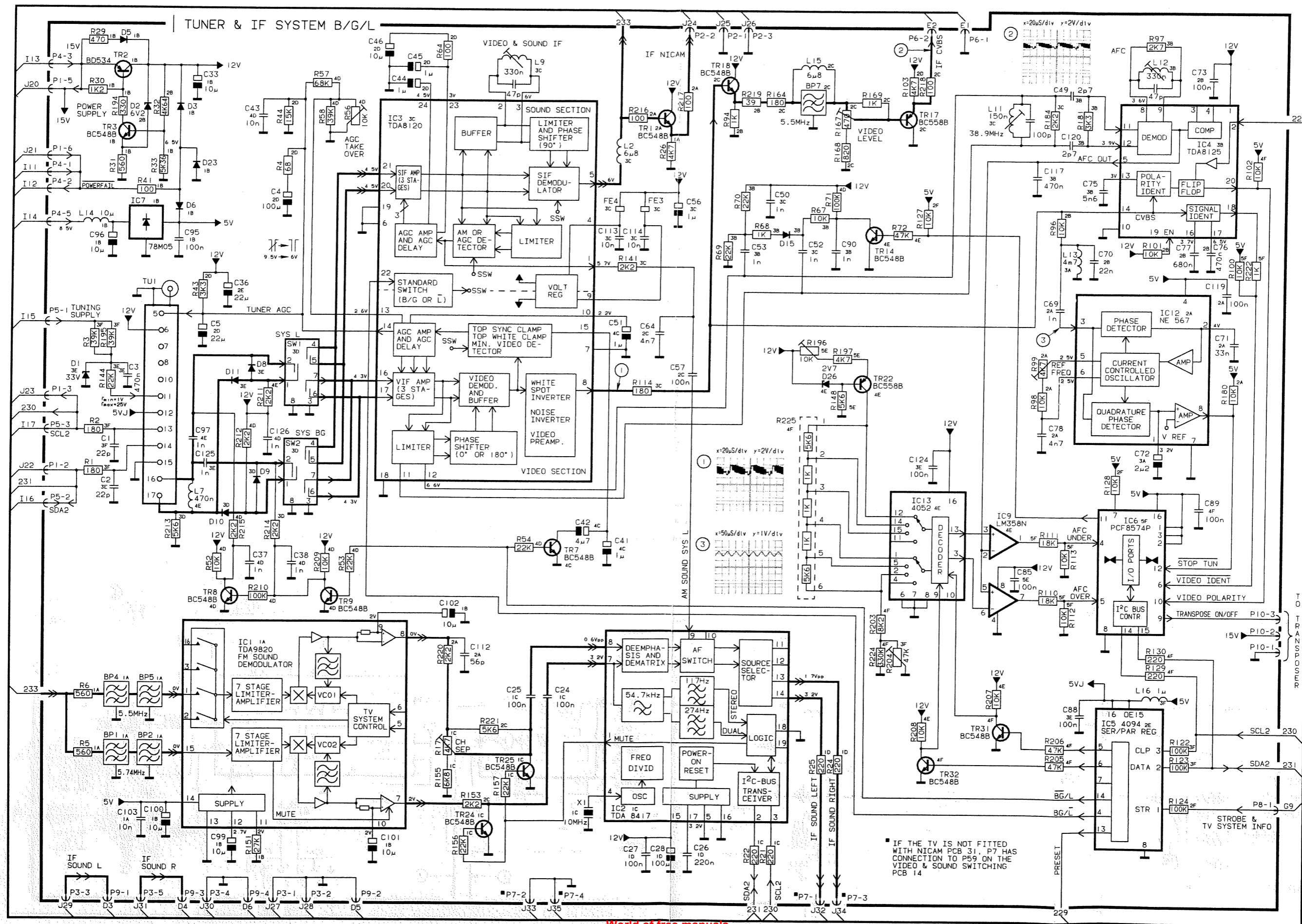
Bang & Olufsen

2-10
DIAGRAM A

2-10
DIAGRAM A

2-10

DIAGRAM A TUNER & IF SYSTEM I



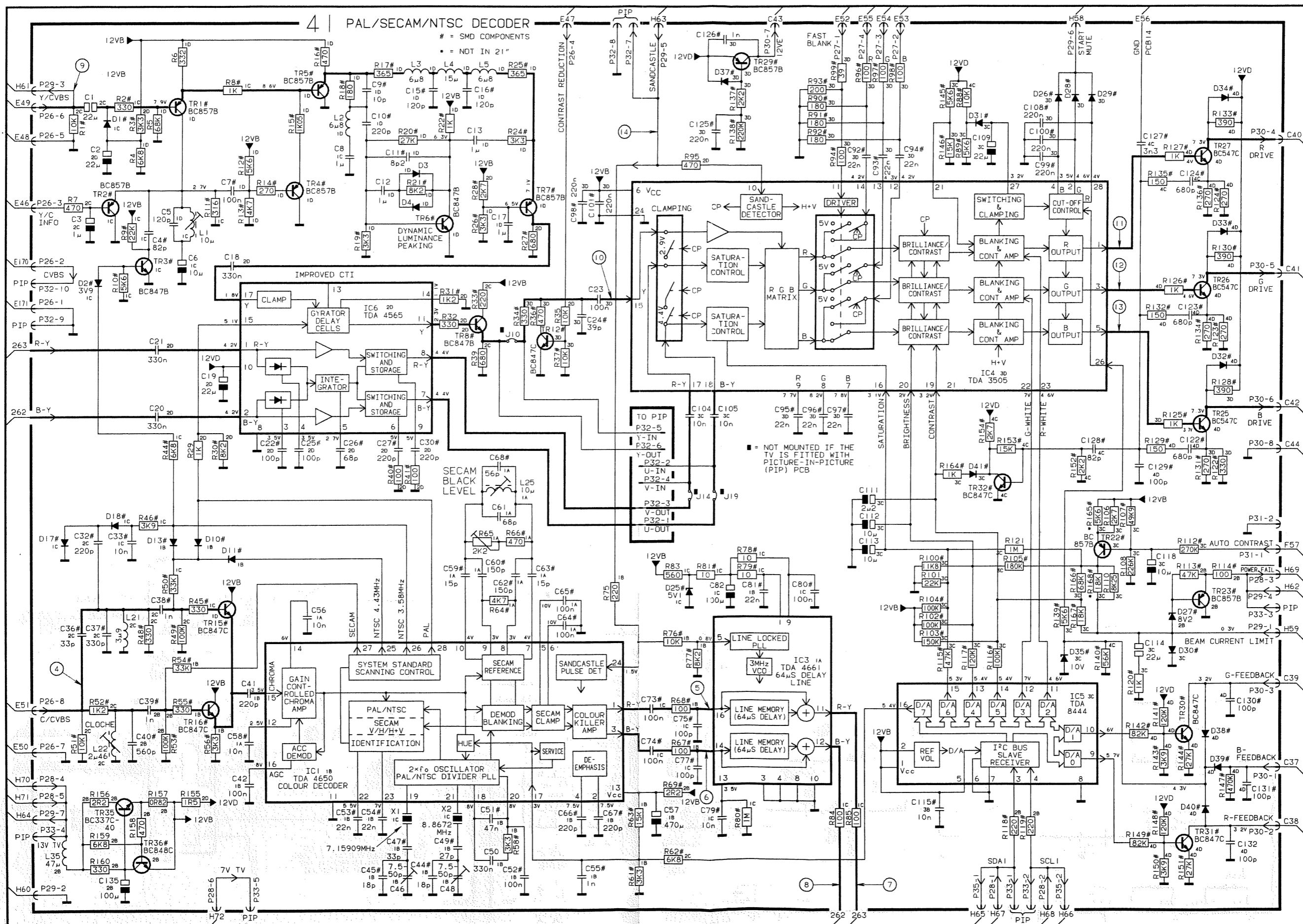
2-11

2-11
DIAGRAM B

2-11
DIAGRAM B

Bang & Olufsen

DIAGRAM B PAL/SECAM/NTSC DECODER (O = FOR OSCILLOSCOPE PICTURES SEE PAGE 2-12)



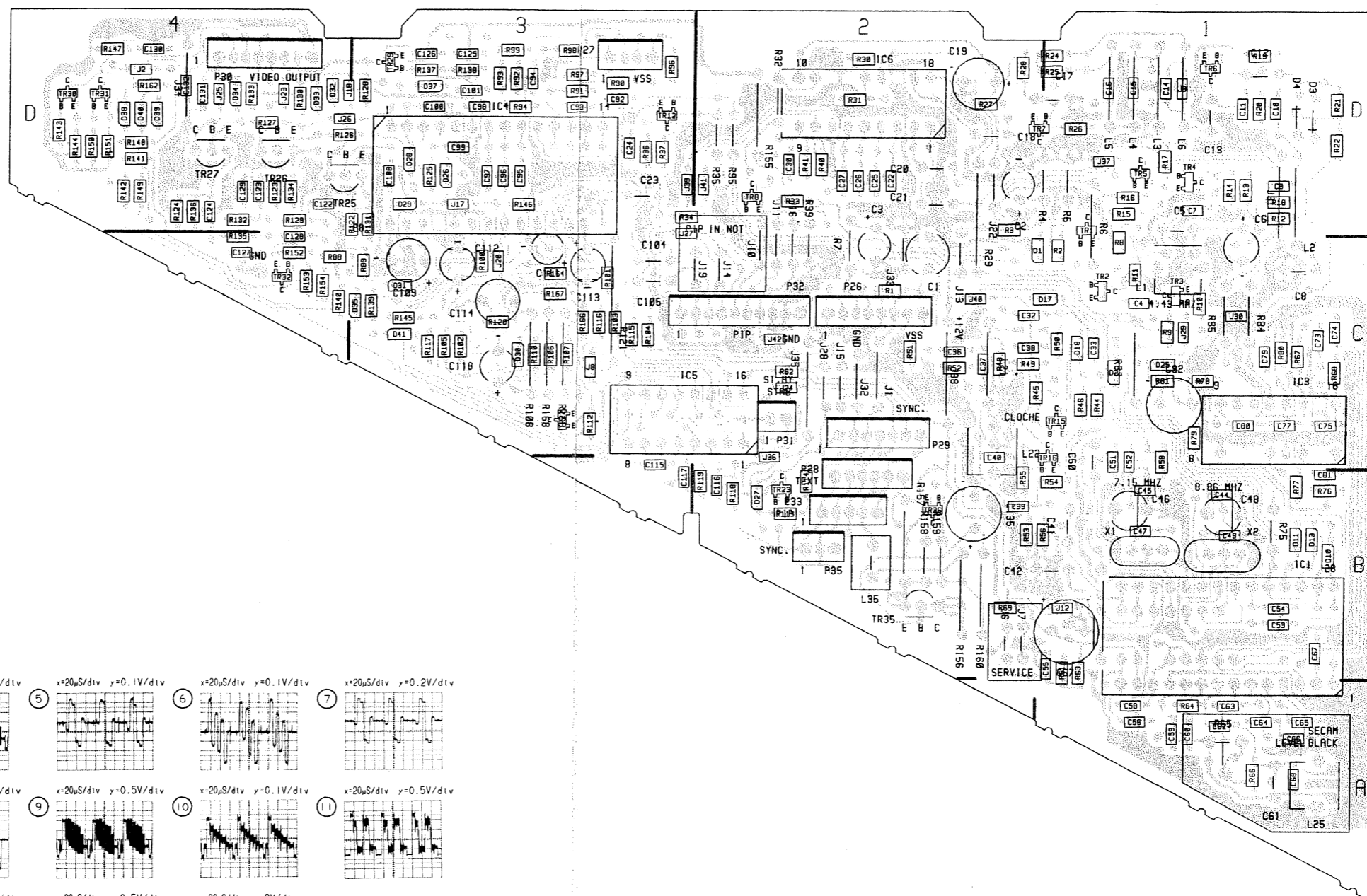
Bang & Olufsen

PCB 41

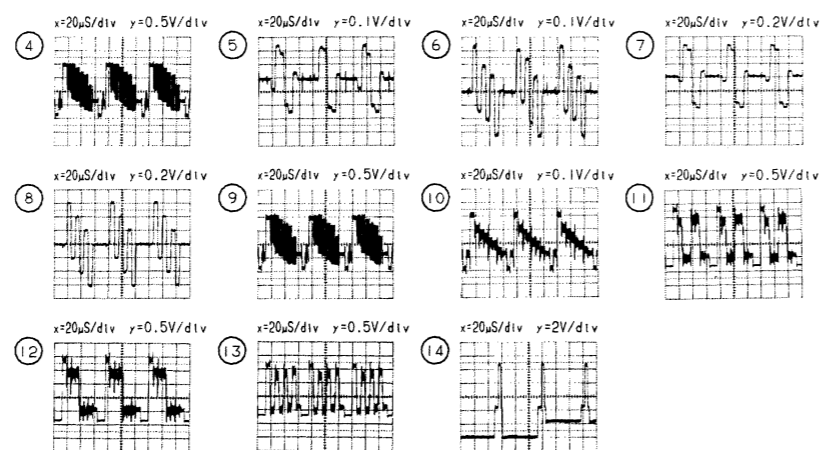
2-12
PCB DRAWING

2-12
PCB DRAWING

2-12



**OSCILLOSCOPE PICTURES
FOR PCB 41
PAL/SECAM/NTSC DECODER**



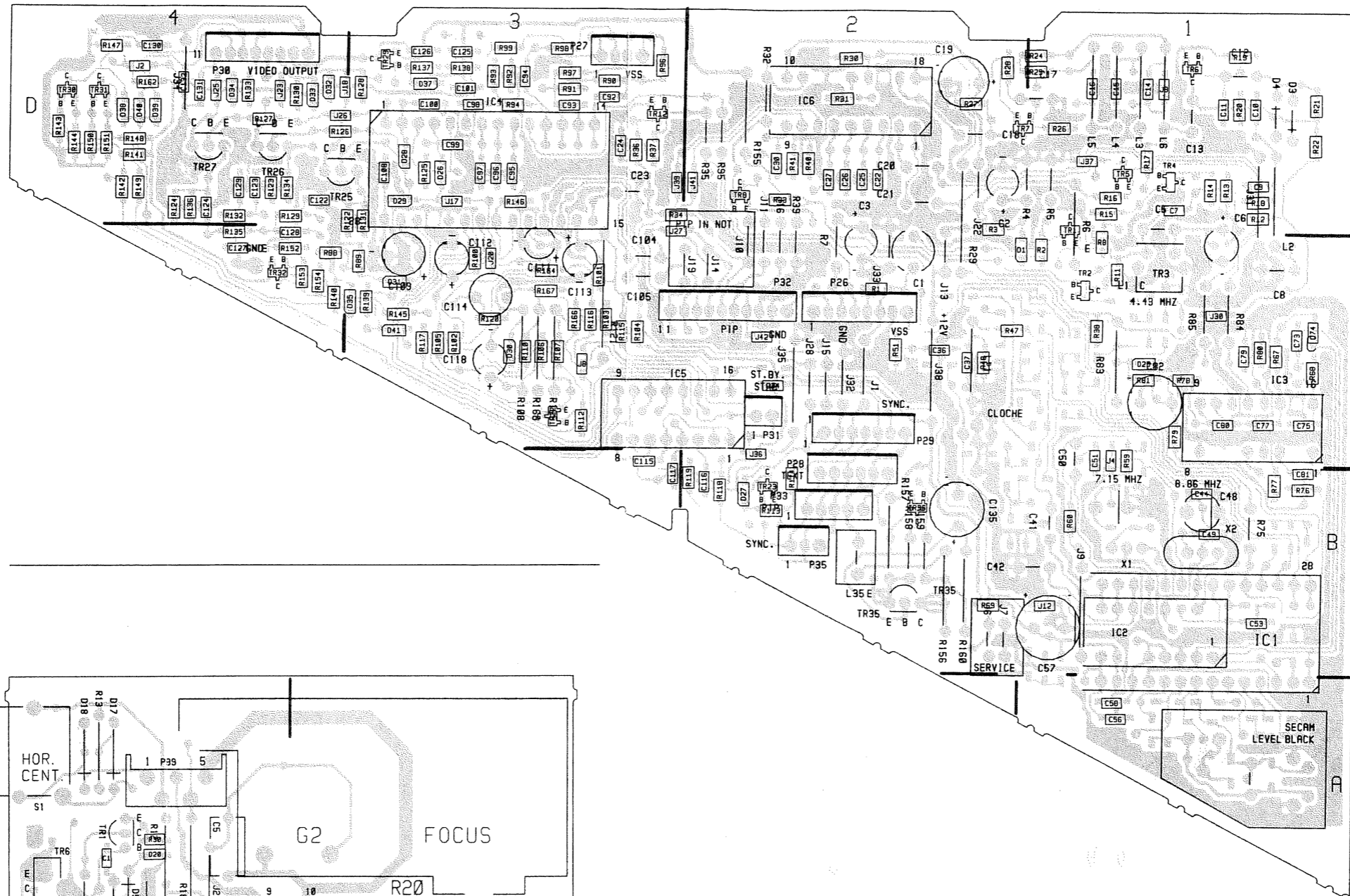
2-13

2-13
PCB DRAWING

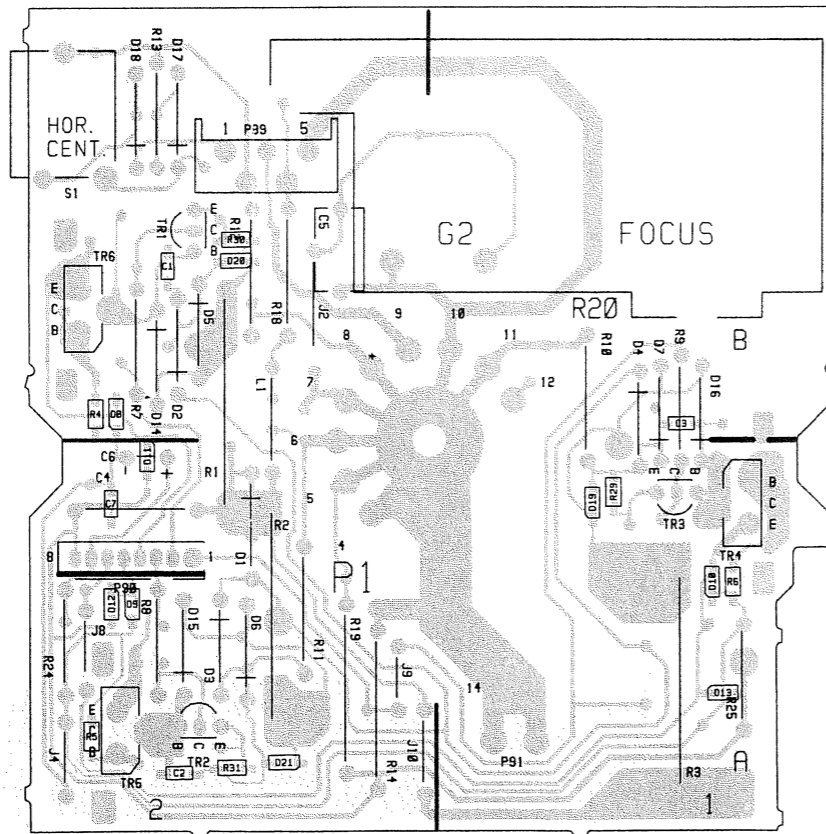
2-13
PCB DRAWING

Bang & Olufsen

PCB 39



PCB 3



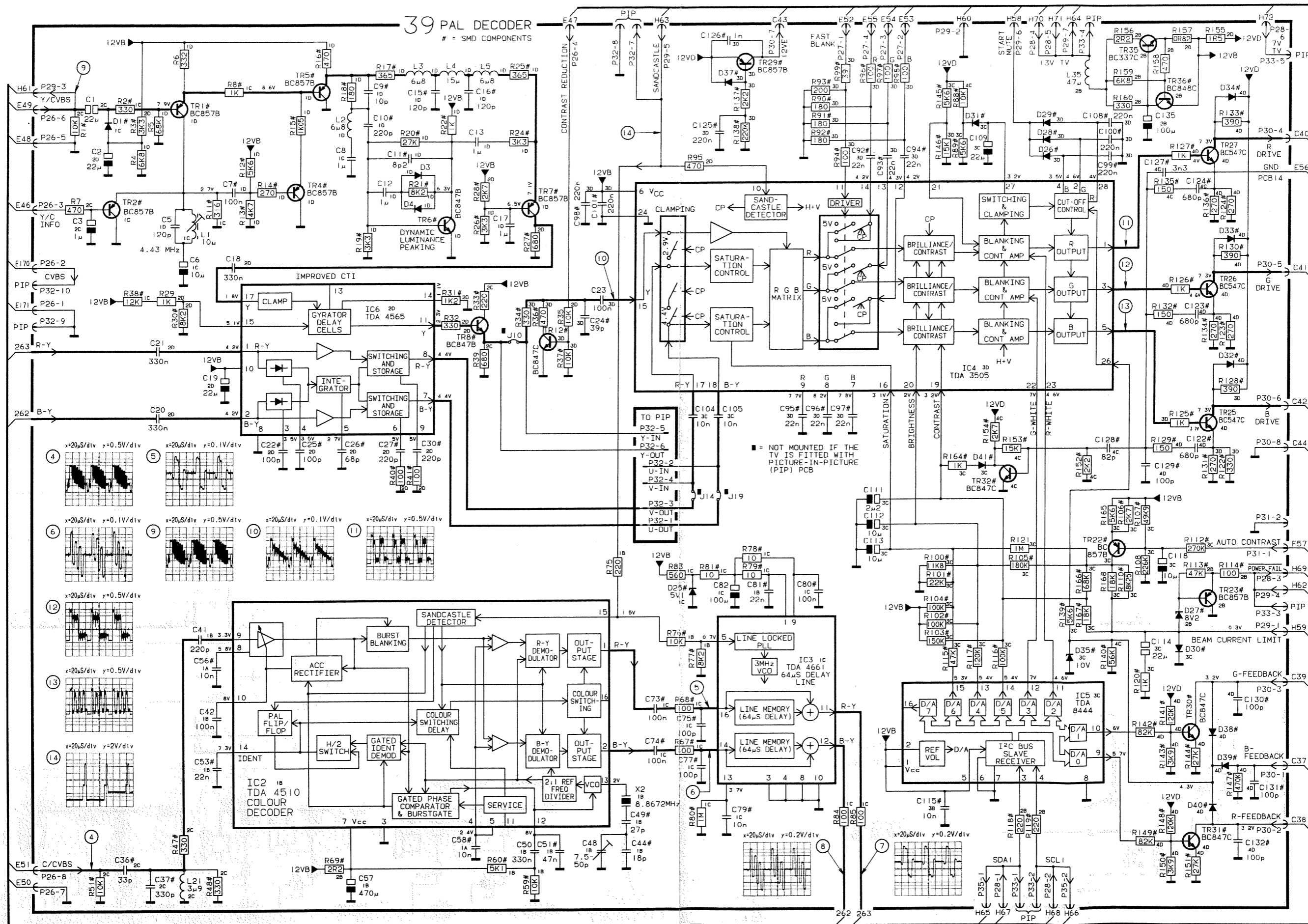
Bang & Olufsen

2-14
DIAGRAM B

2-14
DIAGRAM B

2-14

DIAGRAM B PAL DECODER



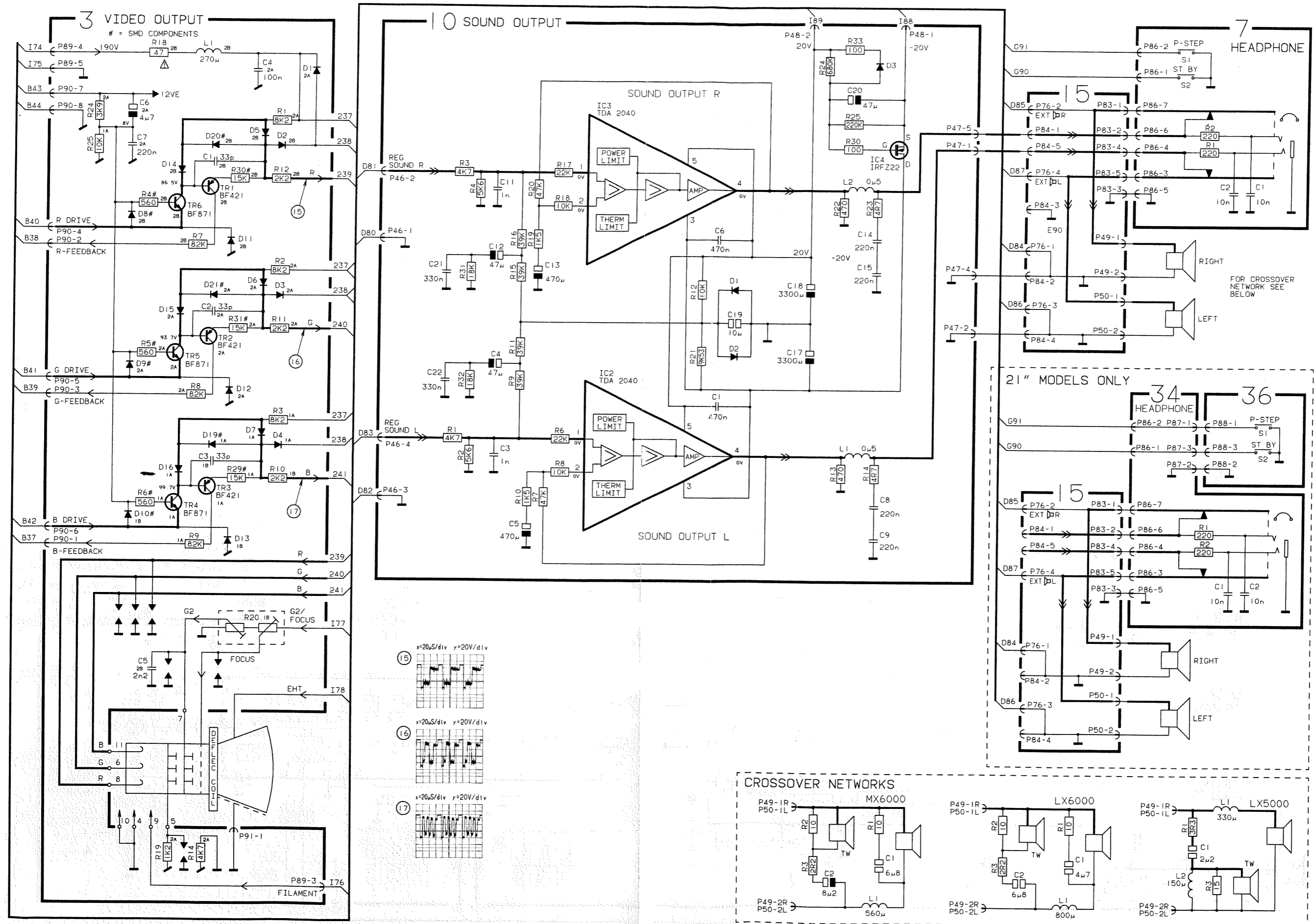
2-15

2-15 DIAGRAM C

2-15 DIAGRAM C

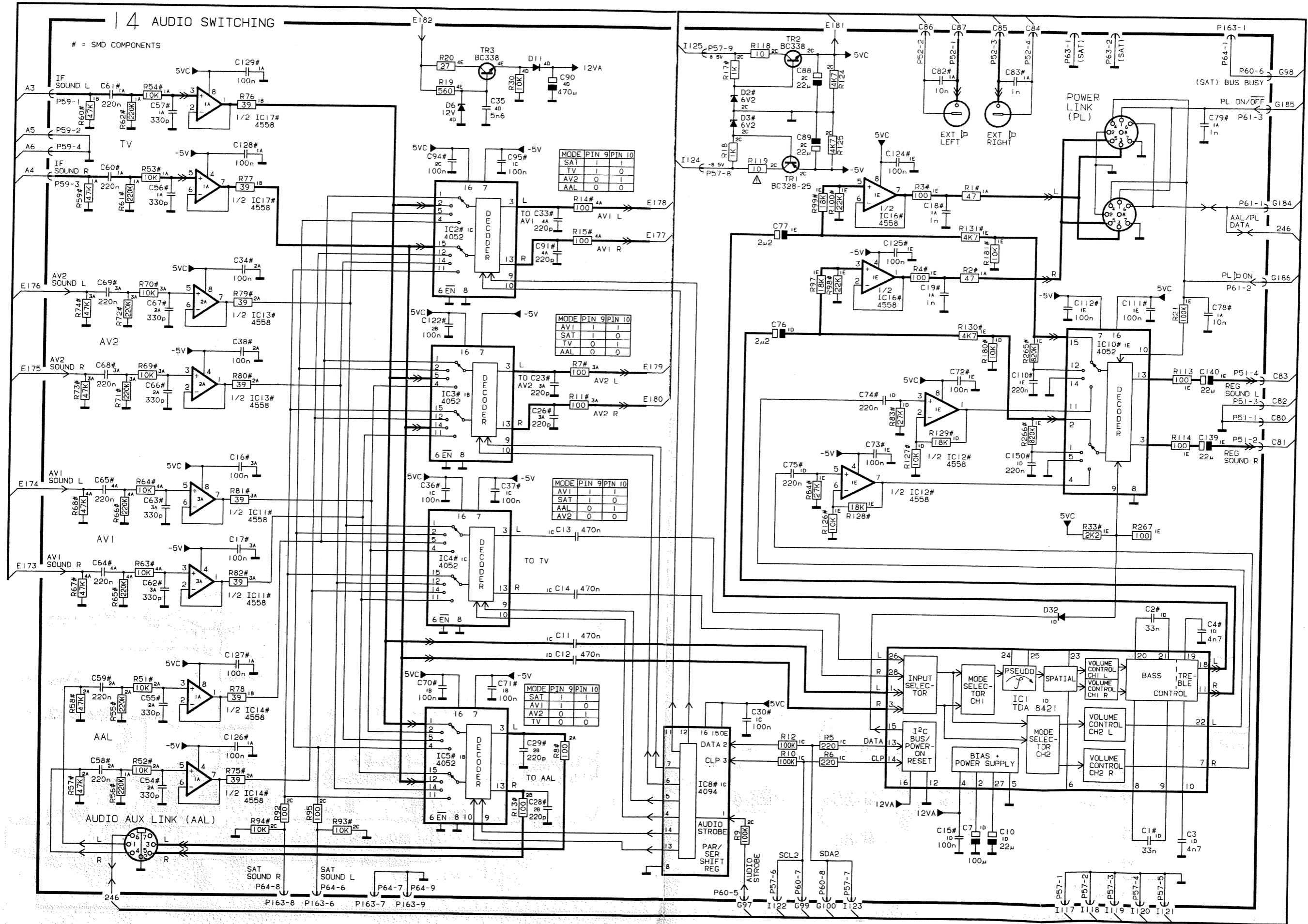
Bang & Olufsen

DIAGRAM C VIDEO OUTPUT & SOUND OUTPUT PCB DRAWING FOR PCB 3 SEE PAGE 2-13



Bang & Olufsen

DIAGRAM D SOUND SWITCHING & CONTROL
PCB DRAWING SEE PAGE 2-18



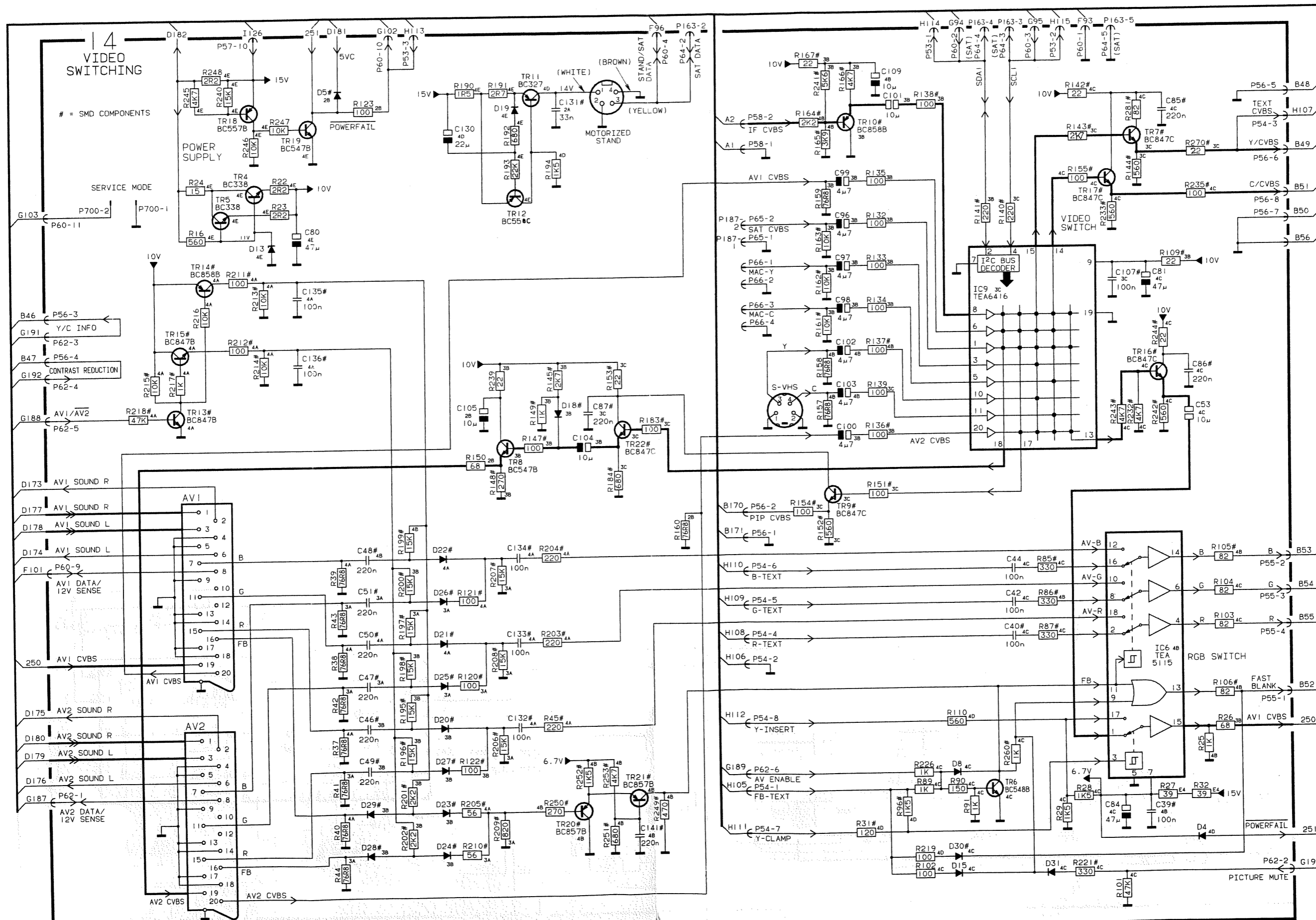
2-17

2-17
DIAGRAM E

2-17
DIAGRAM E

Bang & Olufsen

DIAGRAM E VIDEO SWITCHING
PCB DRAWING SEE PAGE 2-18



Bang & Olufsen

PCB 14

2-18
PCB DRAWING

2-18
PCB DRAWING

2-18

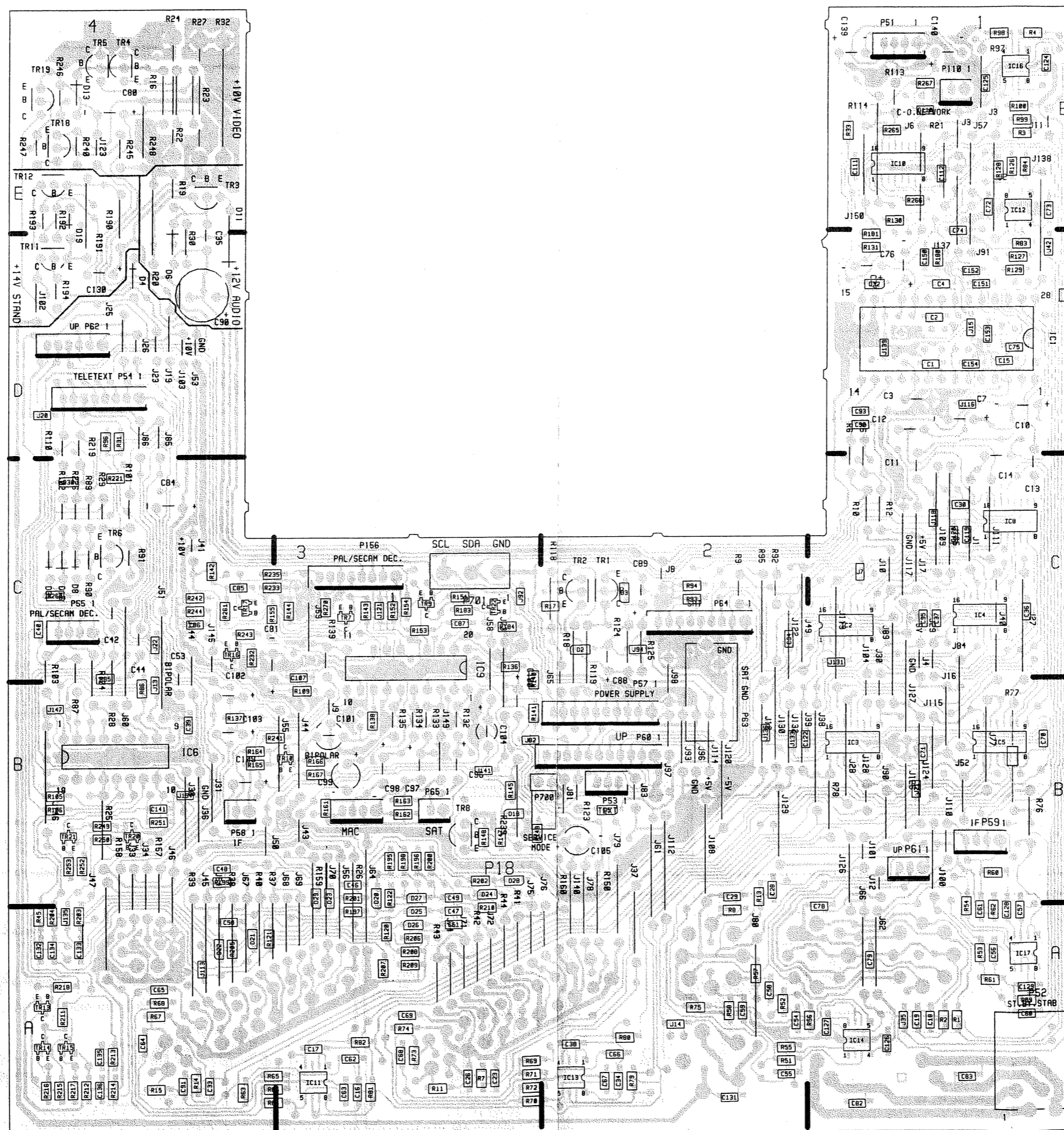
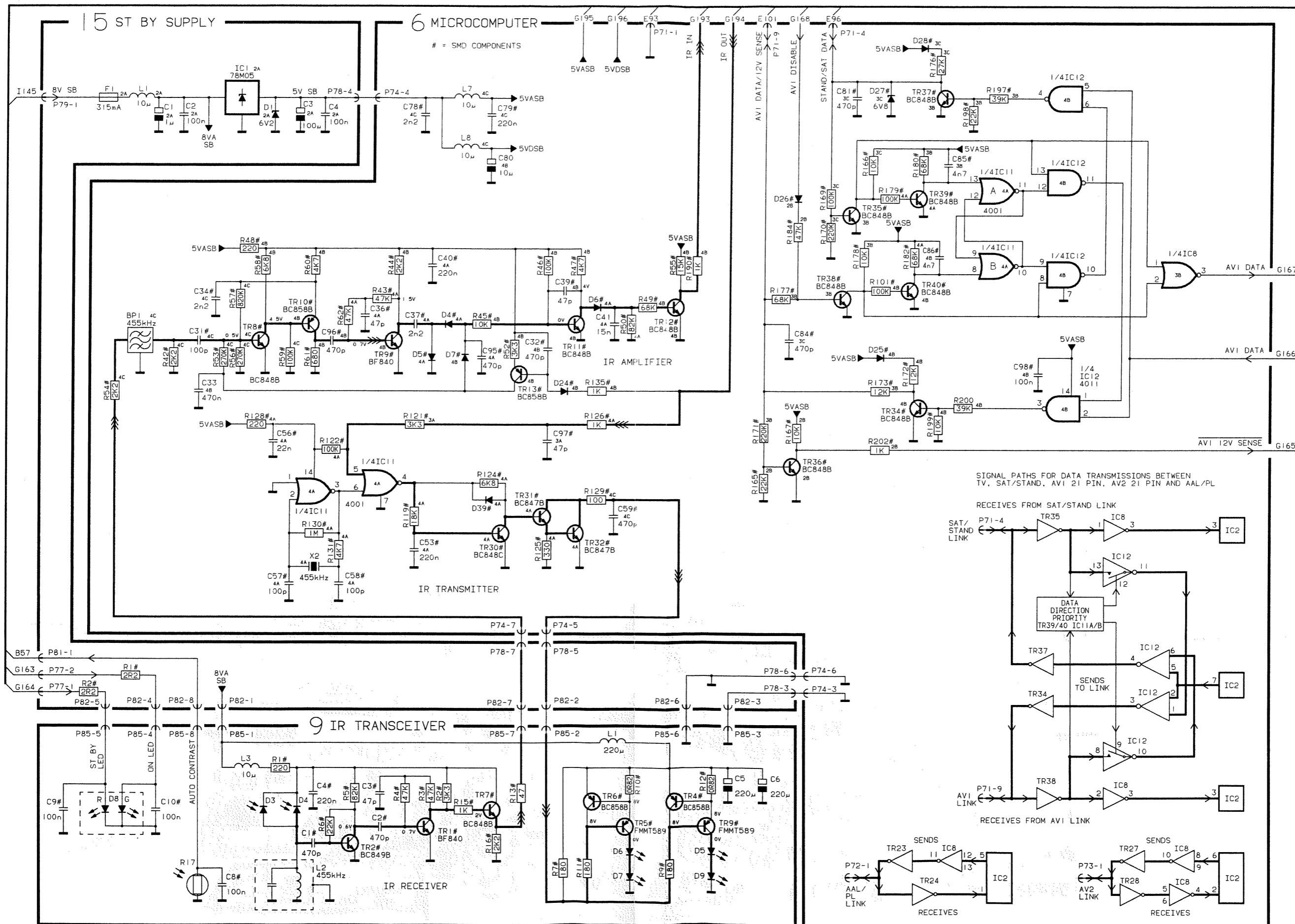


DIAGRAM F IR TRANSCIVER AND 5V ST BY SUPPLY
PCB DRAWINGS FOR PCB6 AND PCB9 SEE PAGE 2-22



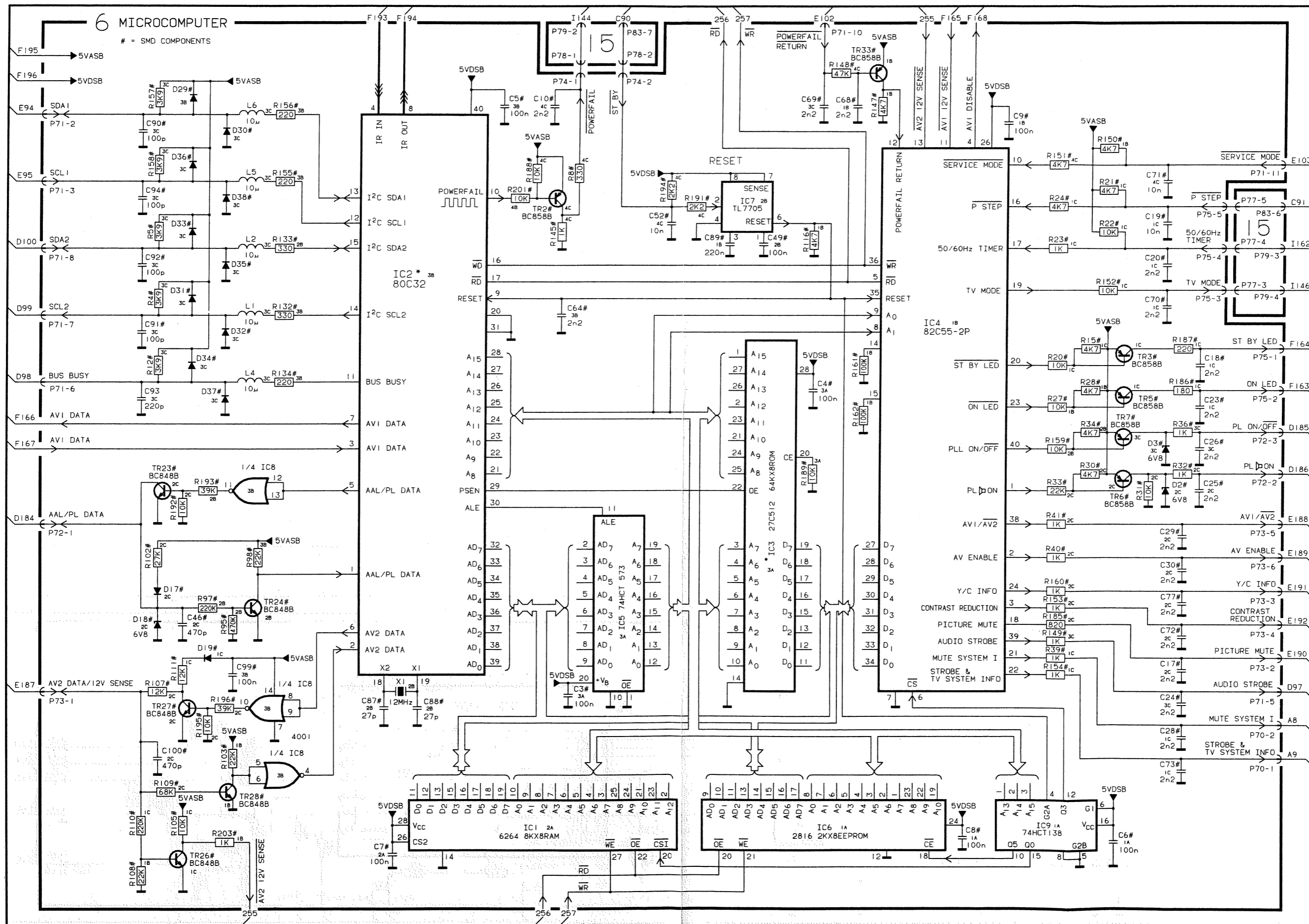
Bang & Olufsen

2-20
DIAGRAM G

2-20
DIAGRAM G

2-20

DIAGRAM G MICROCOMPUTER
PCB DRAWING SEE PAGE 2-22



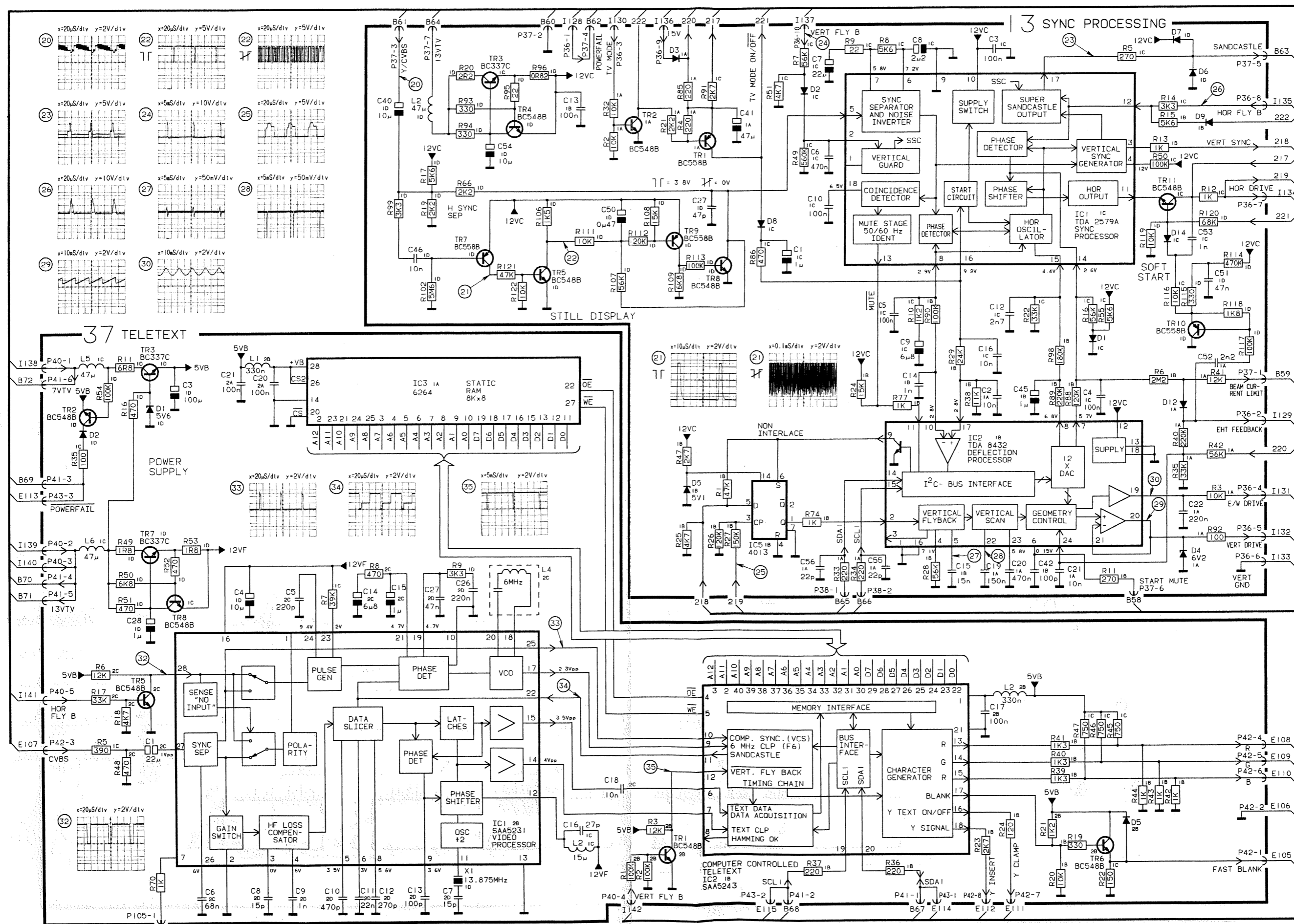
2-21

2-21
DIAGRAM H

2-21
DIAGRAM H

Bang & Olufsen

DIAGRAM H TELETEXT AND SYNC PROCESSING



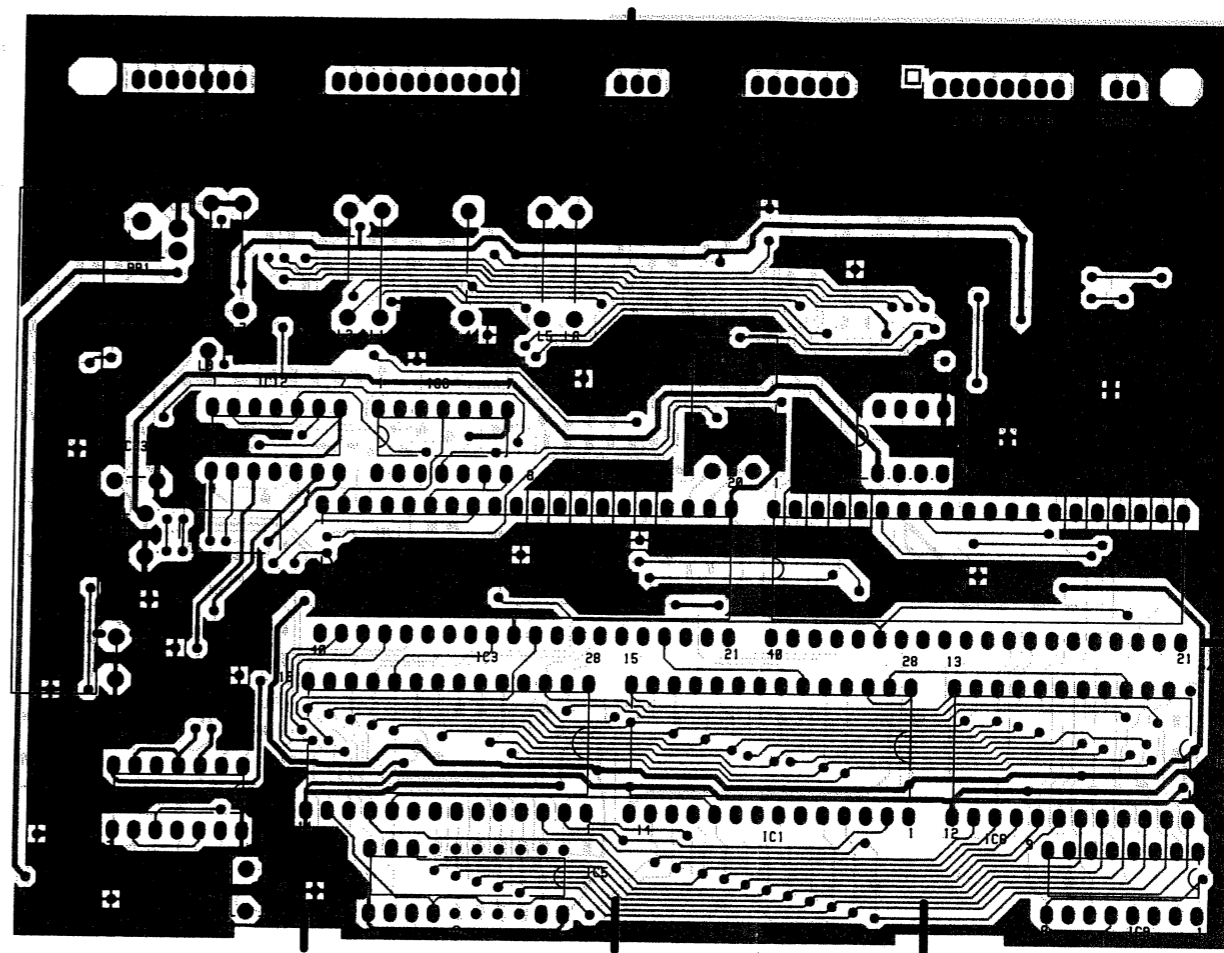
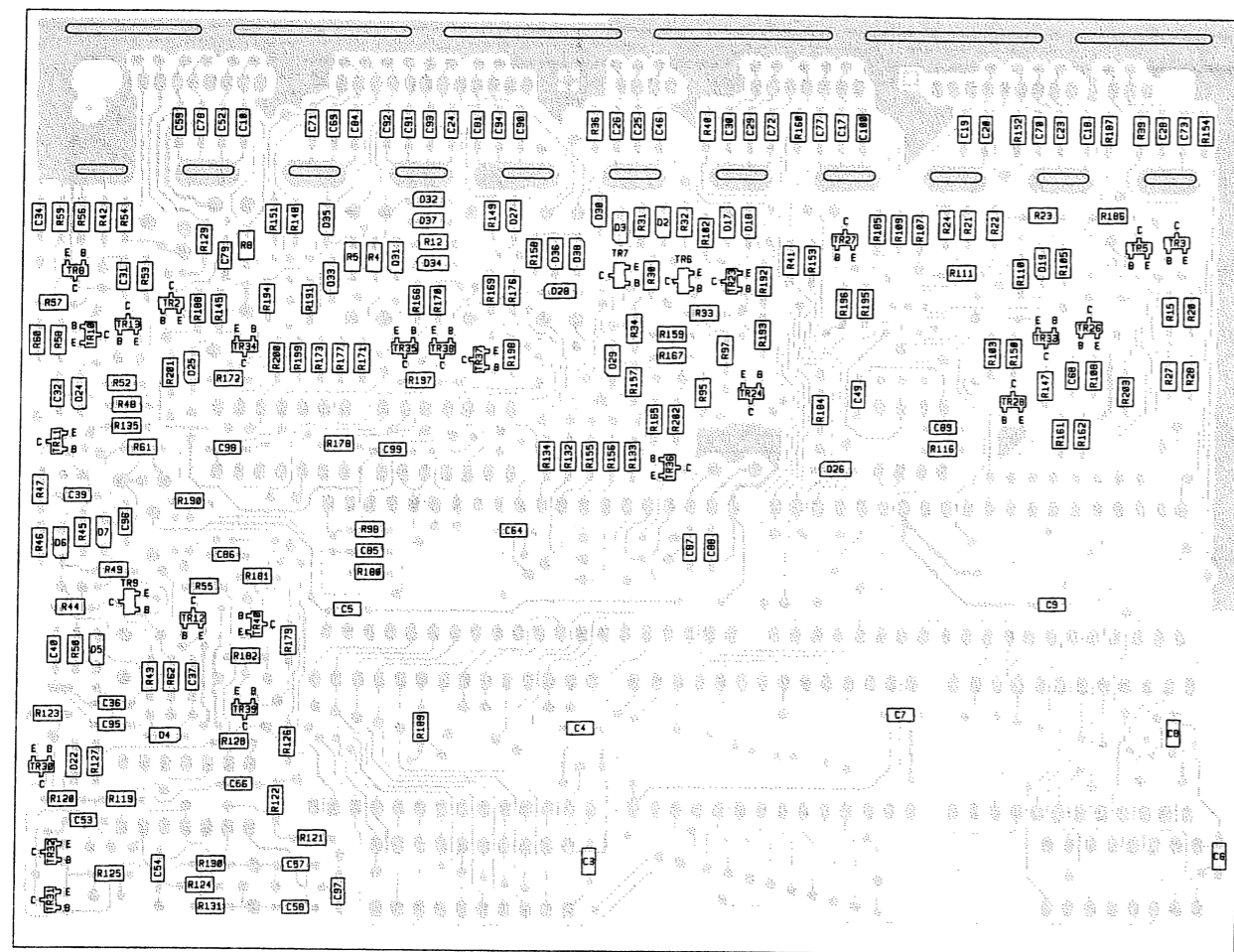
Bang & Olufsen

2-22
PCB DRAWINGS

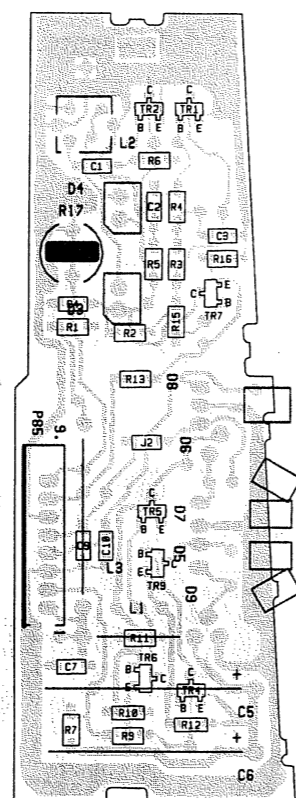
2-22
PCB DRAWINGS

2-22

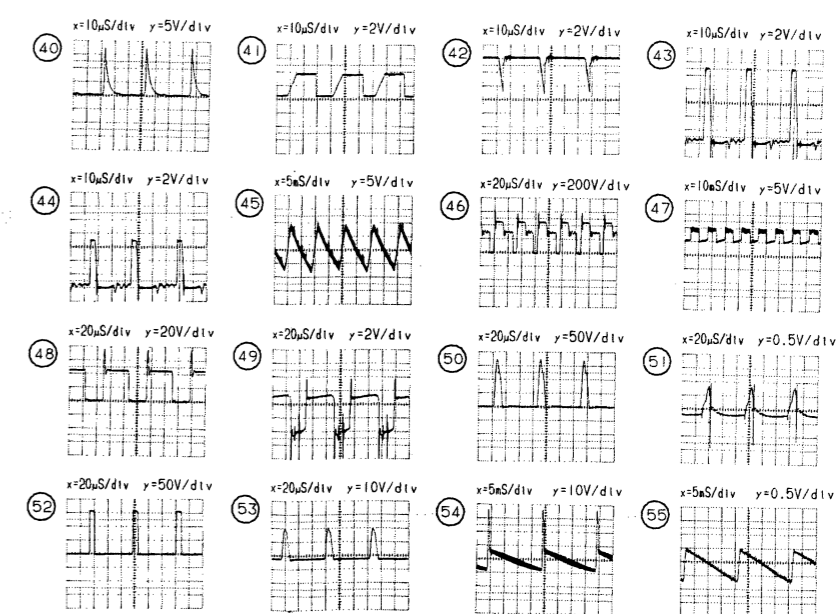
PCB 6



PCB 9



OSCILLOSCOPE PICTURES FOR POWER SUPPLY & DEFLECTION PCB4

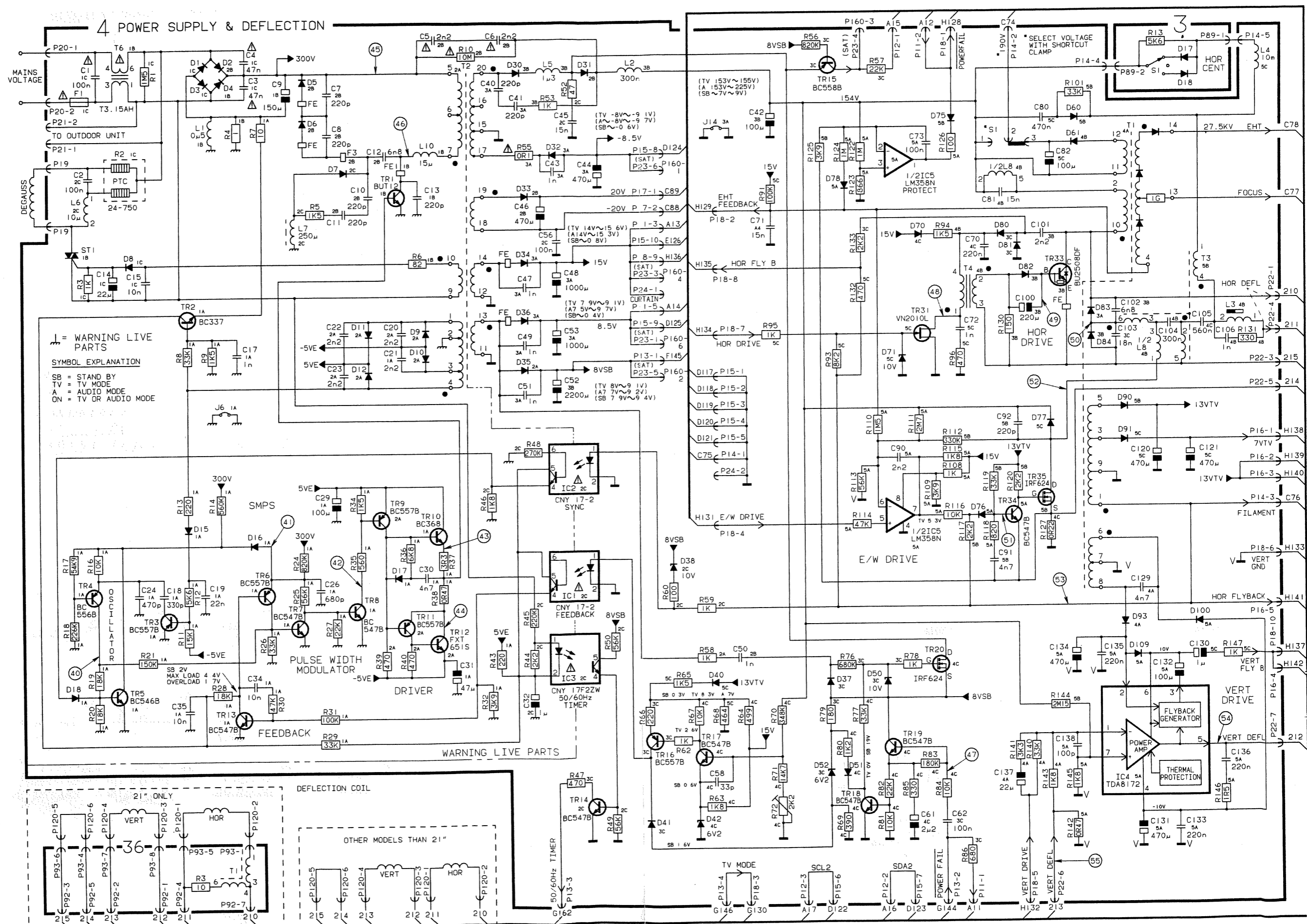


2-23

2-23 DIAGRAM I

2-23 DIAGRAM I

DIAGRAM I POWER SUPPLY & DEFLECTION (O = FOR OSCILLOSCOPE PICTURES SEE PAGE 2-22)



⚡ = WARNING LIVE PARTS

SYMBOL EXPLANATION

SB = STAND BY
 TV = TV MODE
 A = AUDIO MODE
 ON = TV OR AUDIO MODE

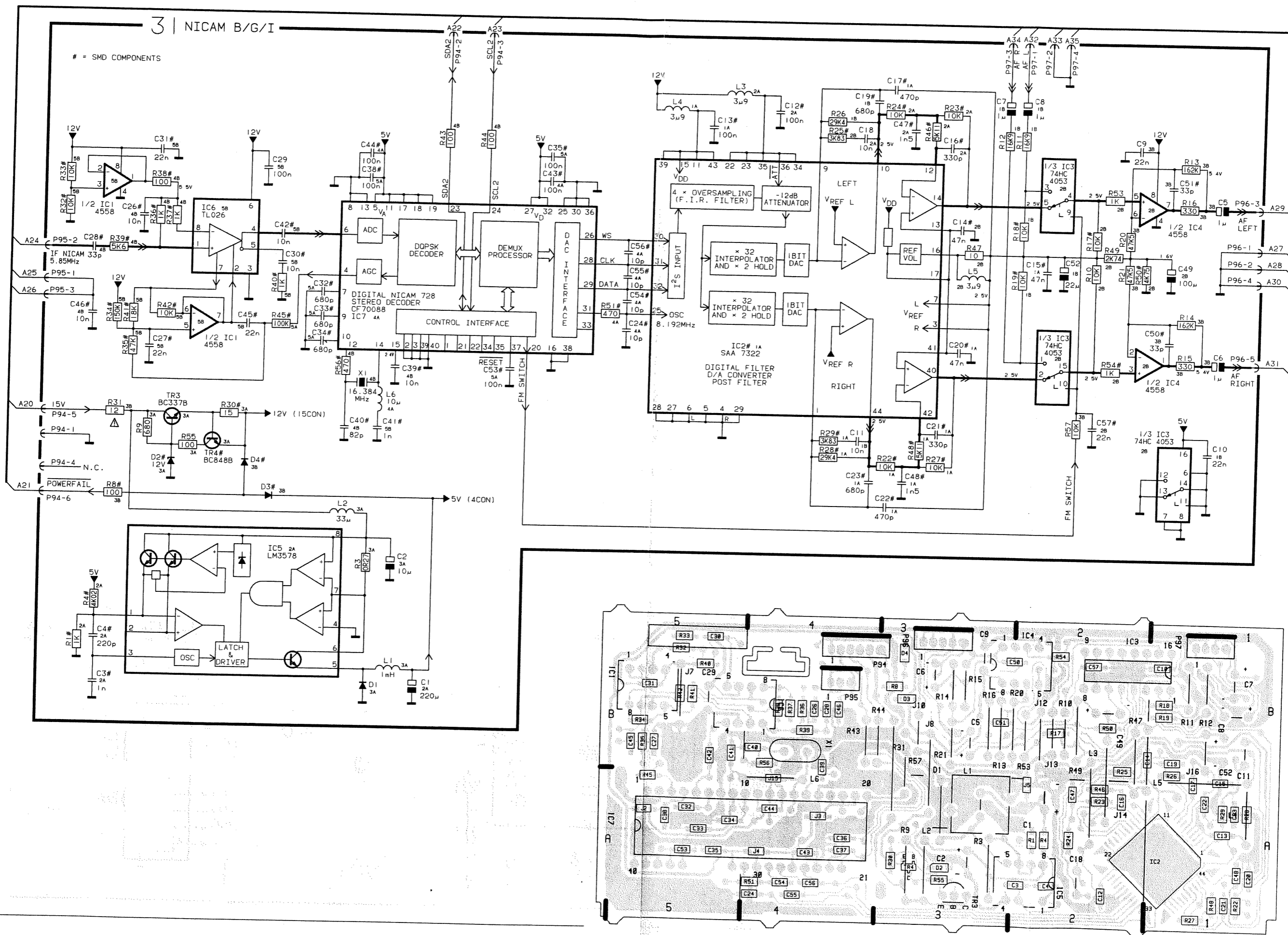
Bang & Olufsen

2-24
DIAGRAM J

2-24
DIAGRAM J

2-24

DIAGRAM J NICAM SYSTEM B/G/I



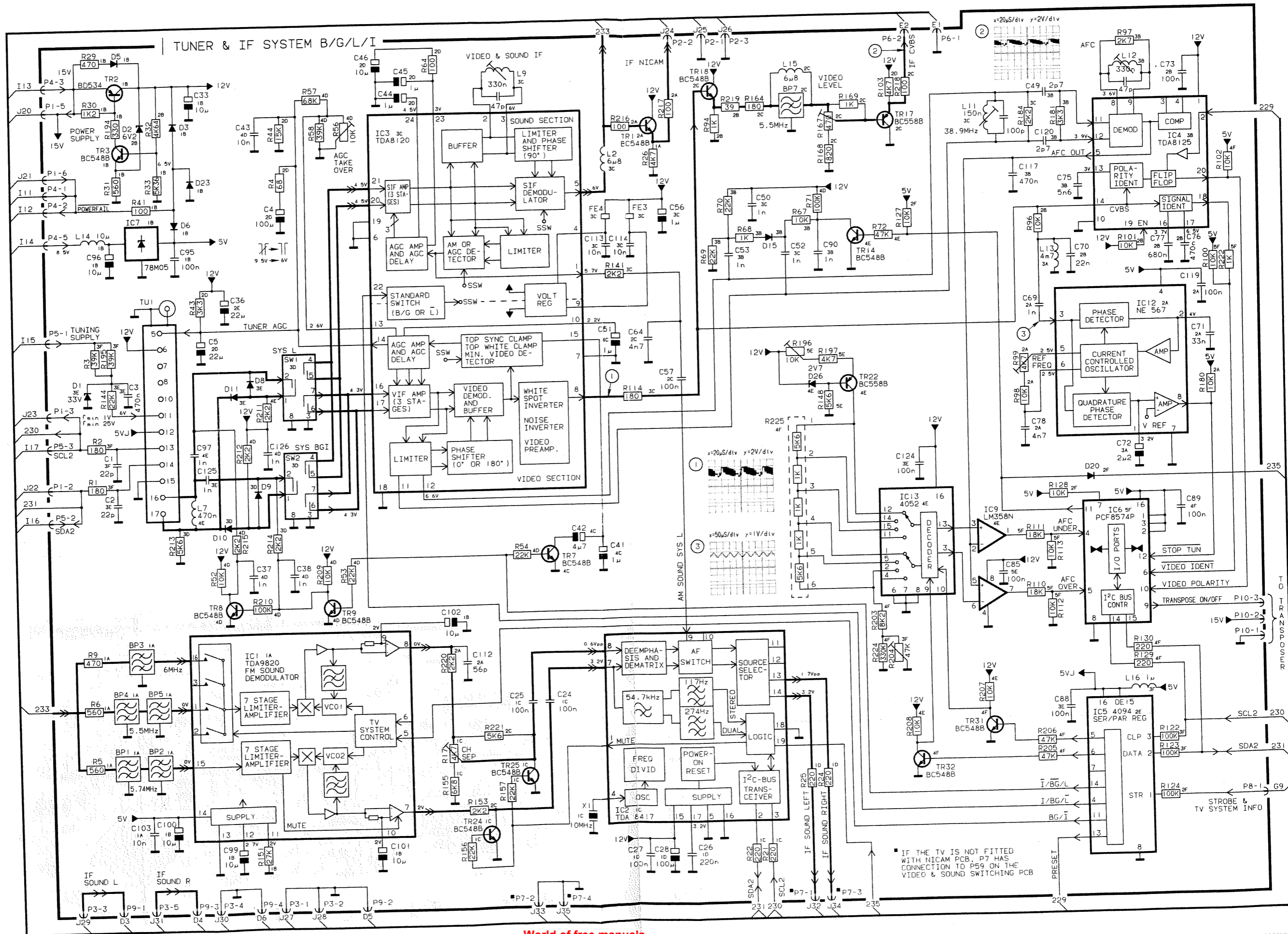
2-25

2-25 ACCESSORIES

2-25 ACCESSORIES

Bang & Olufsen

DIAGRAM A TUNER & IF SYSTEM B/G/L/I



Bang & Olufsen

2-26
ACCESSORIES

2-26
ACCESSORIES

2-26

DIAGRAM A TUNER & IF SYSTEM B/G/D/K

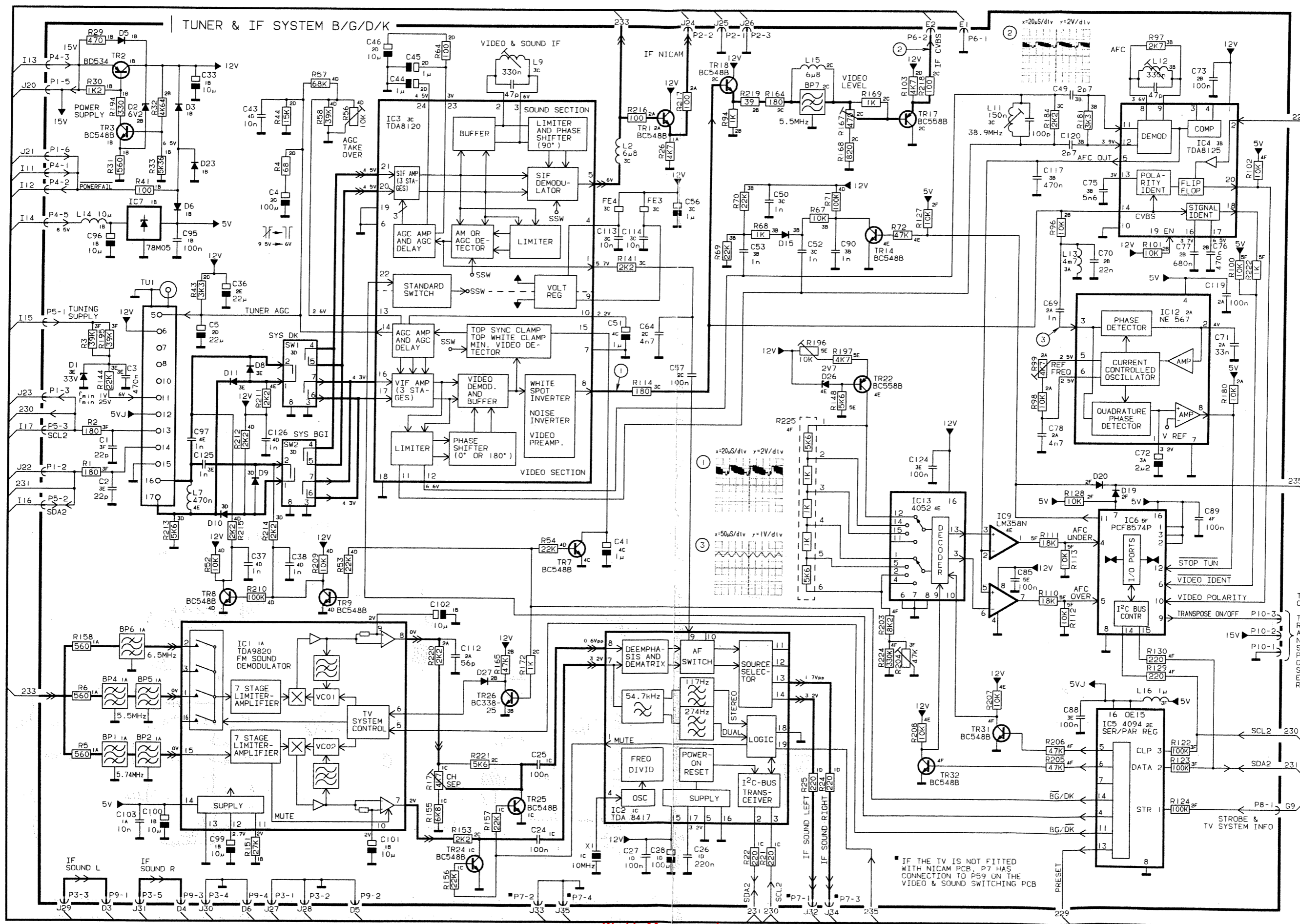
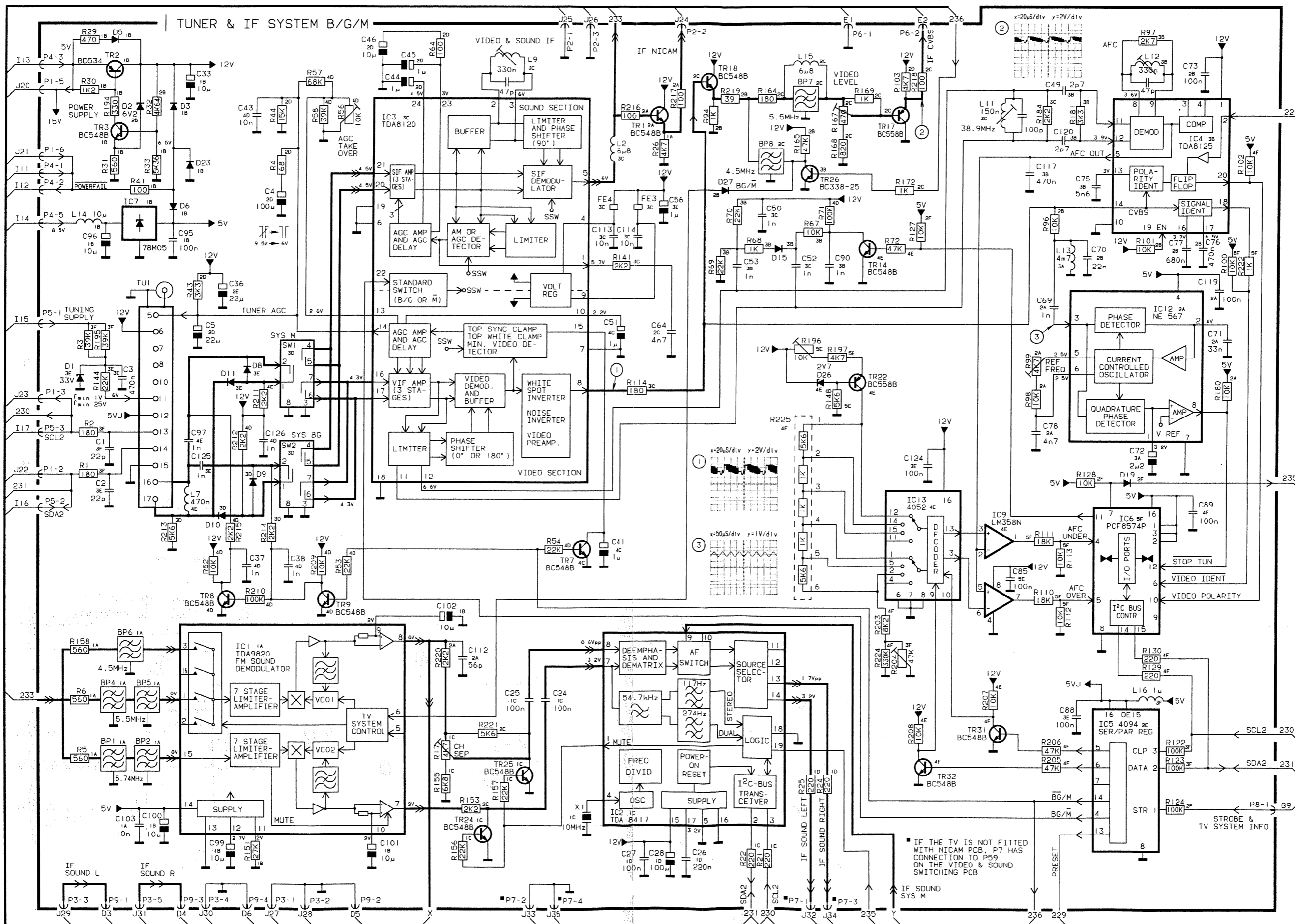
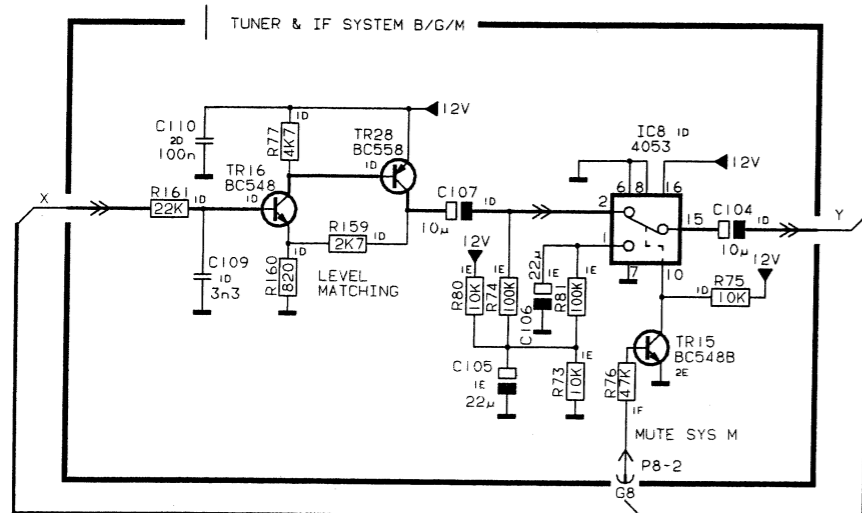


DIAGRAM A TUNER & IF SYSTEM B/G/M



Bang & Olufsen

DIAGRAM TUNER & IF SYSTEM B/G/M



2-28 ACCESSORIES

DIAGRAM TRANSPOSER

2-28 ACCESSORIES

2-28

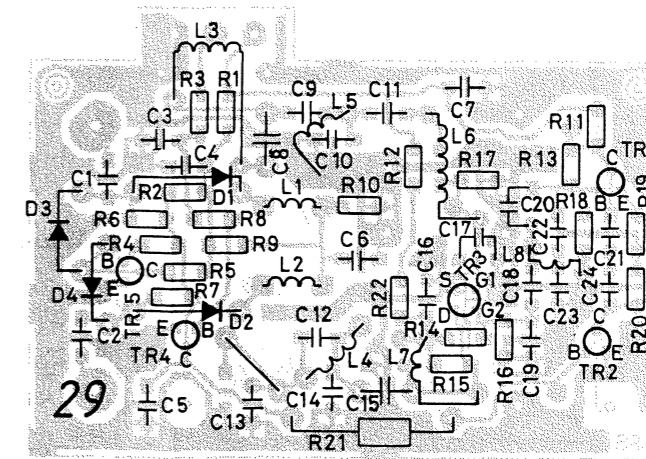
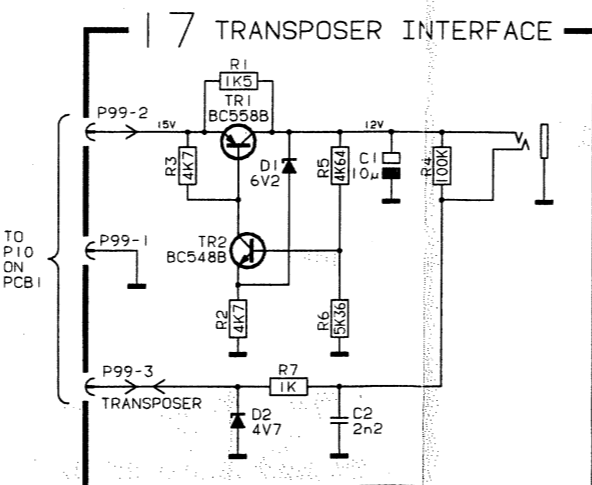
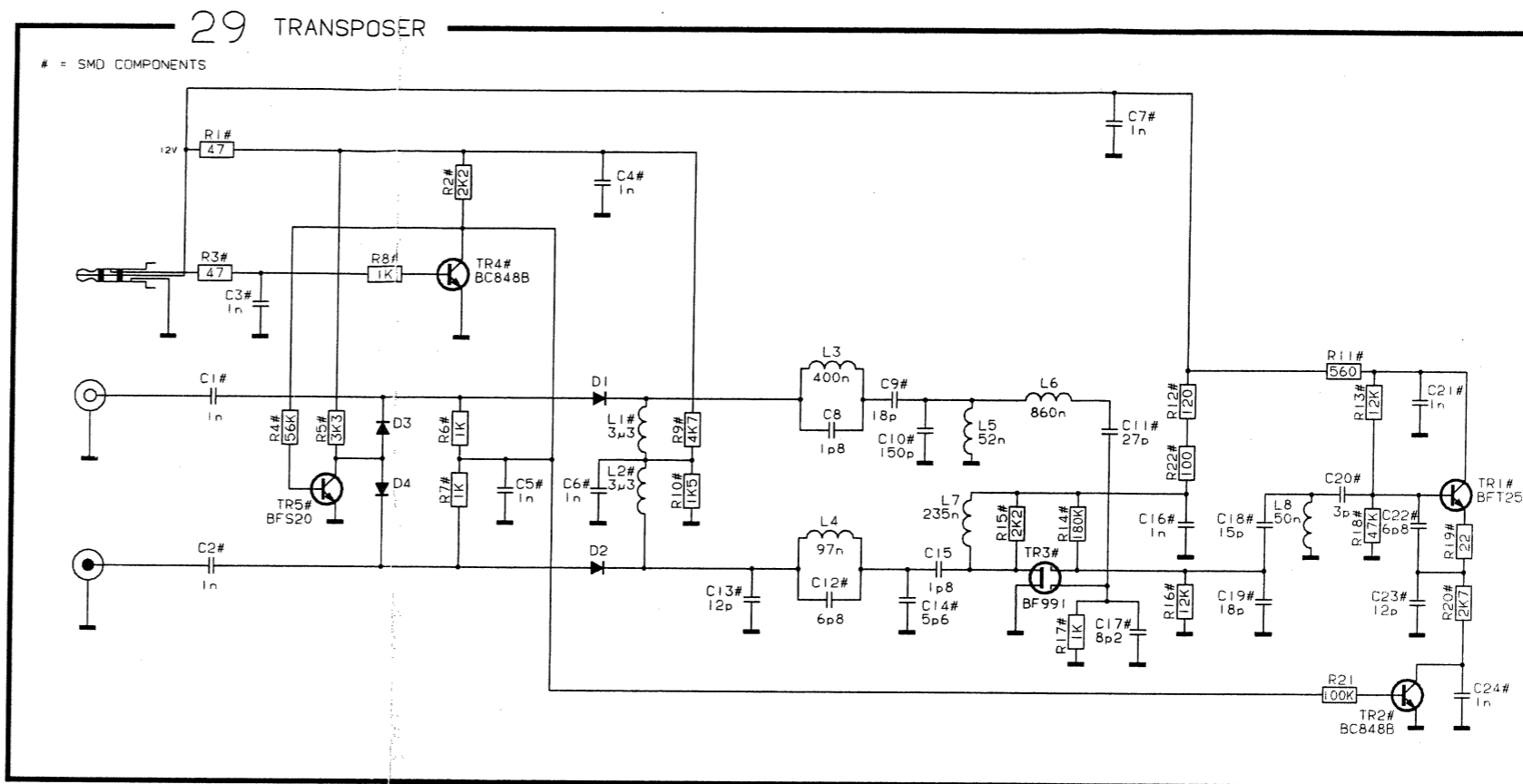
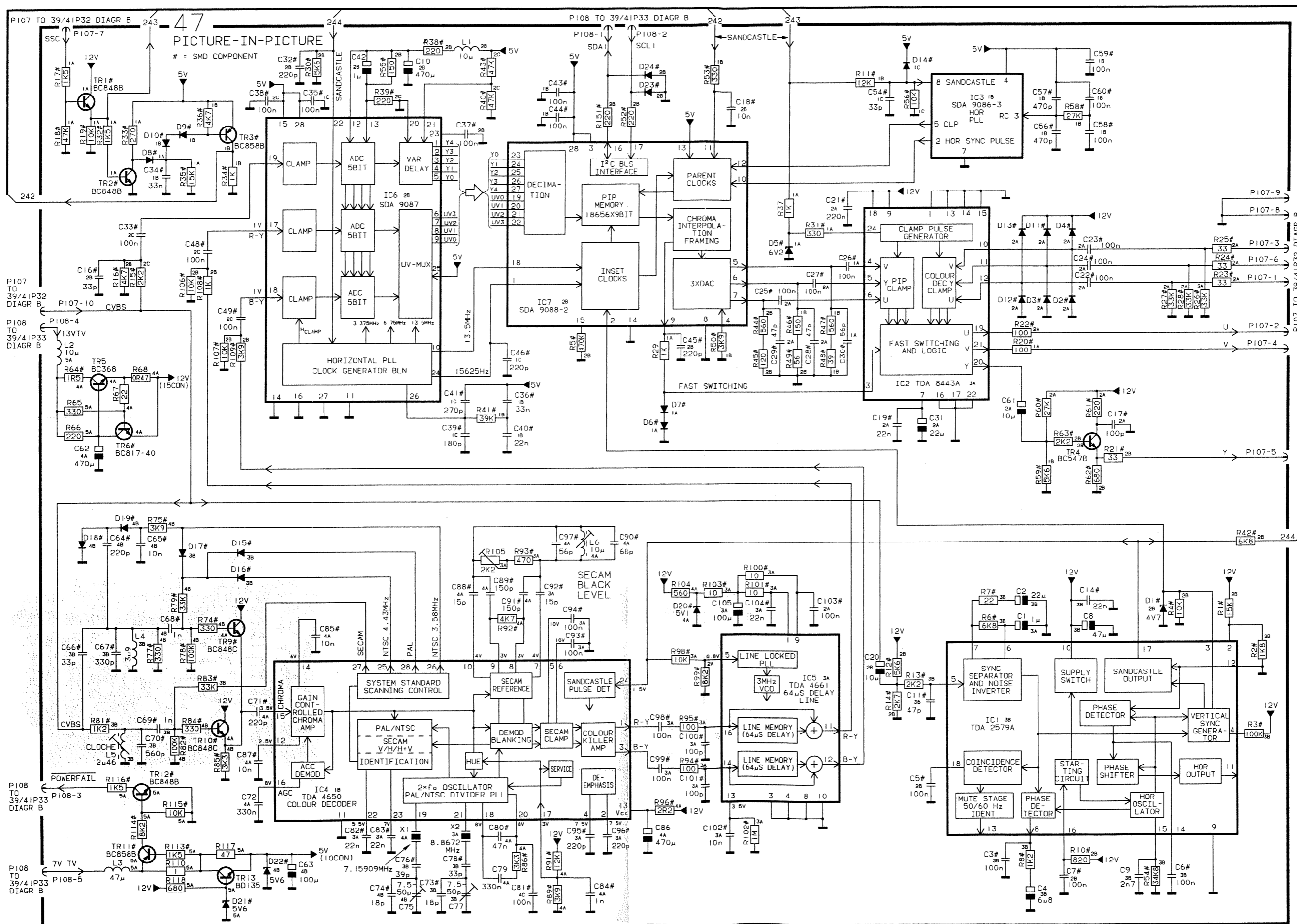


DIAGRAM PICTURE-IN-PICTURE



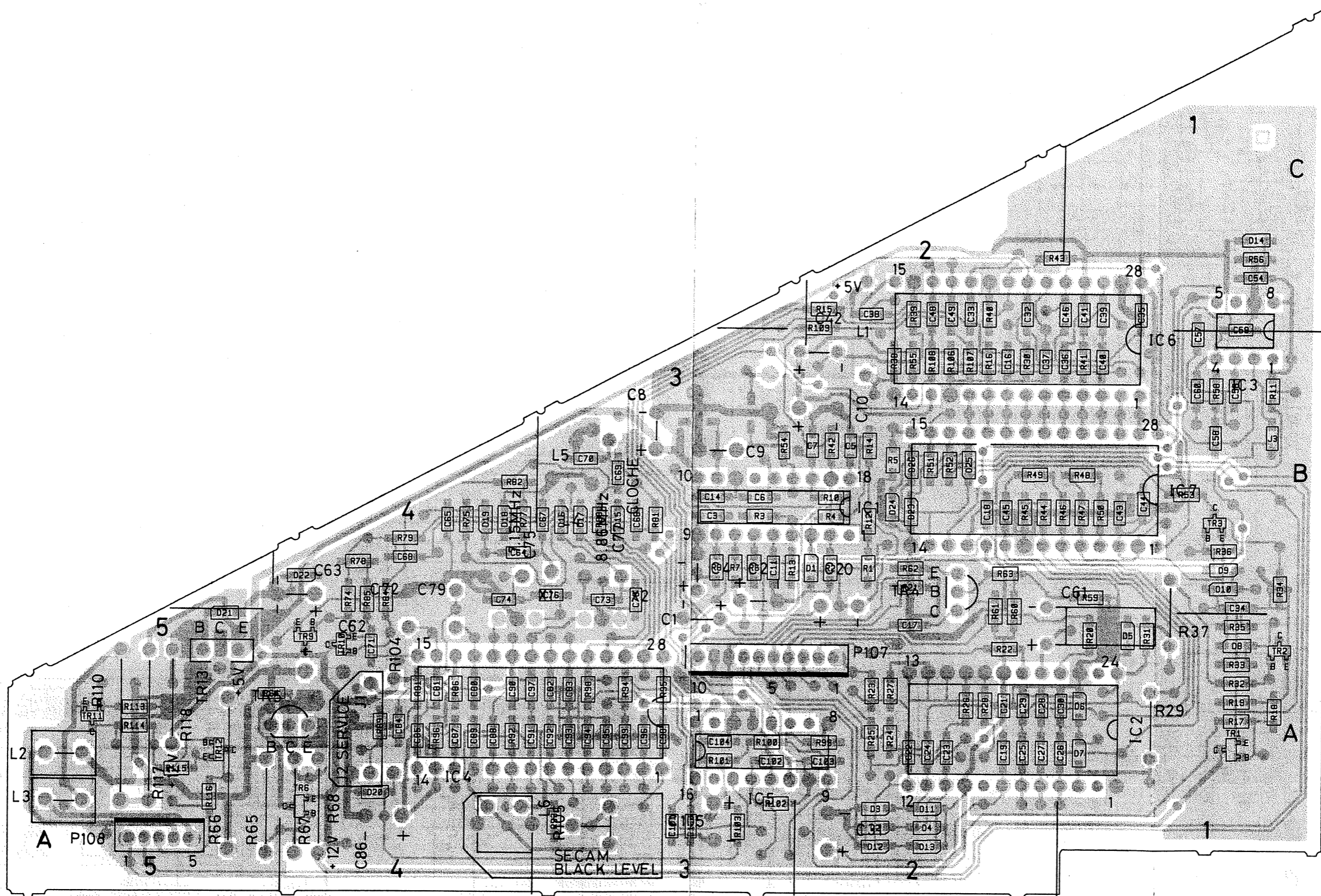
Bang & Olufsen

2-30
ACCESSORIES

2-30
ACCESSORIES

2-30

PCB 47 PICTURE-IN-PICTURE



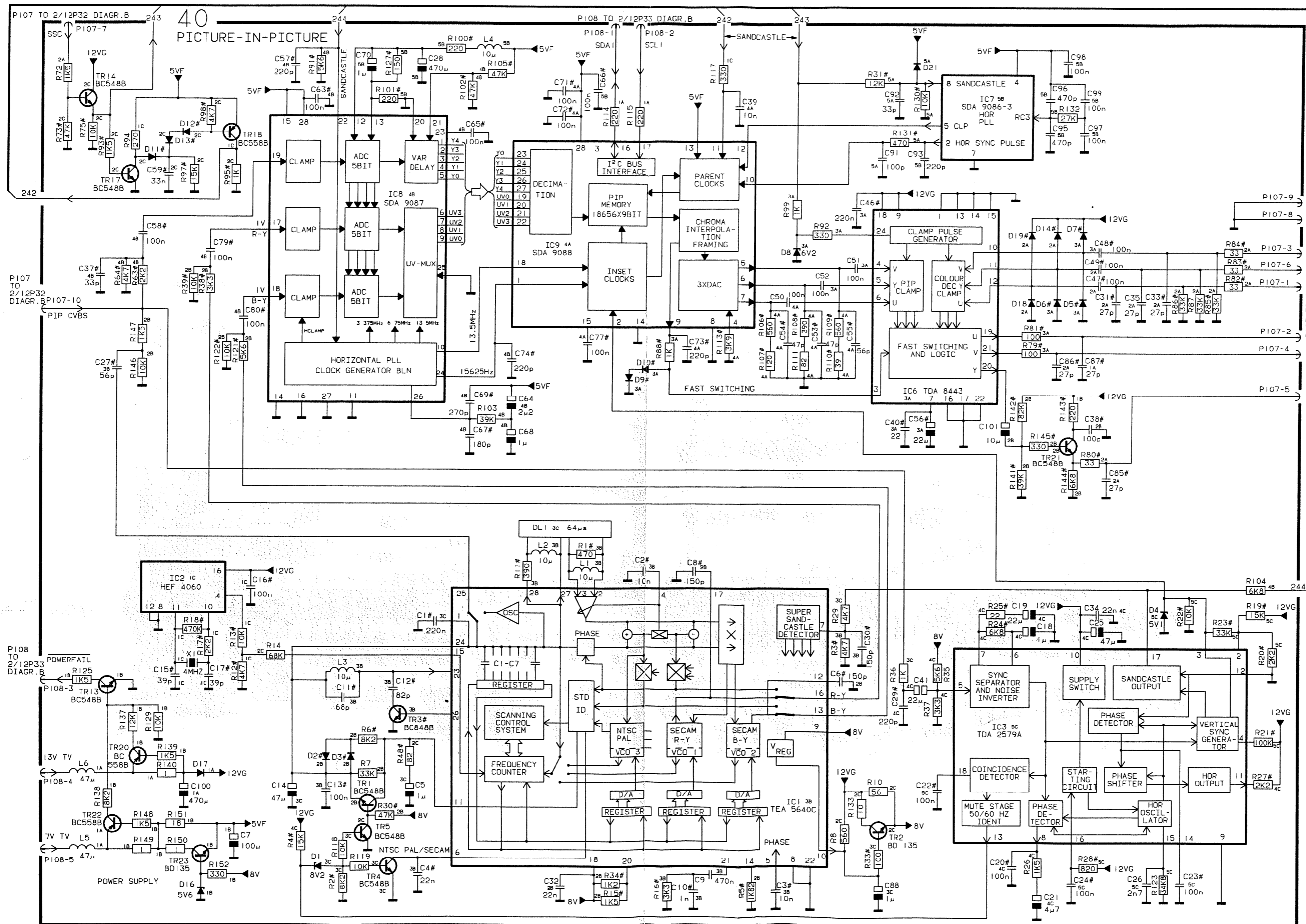
2-31

2-31 ACCESSORIES

2-31 ACCESSORIES

Bang & Olufsen

DIAGRAM PICTURE-IN-PICTURE - MX 4000



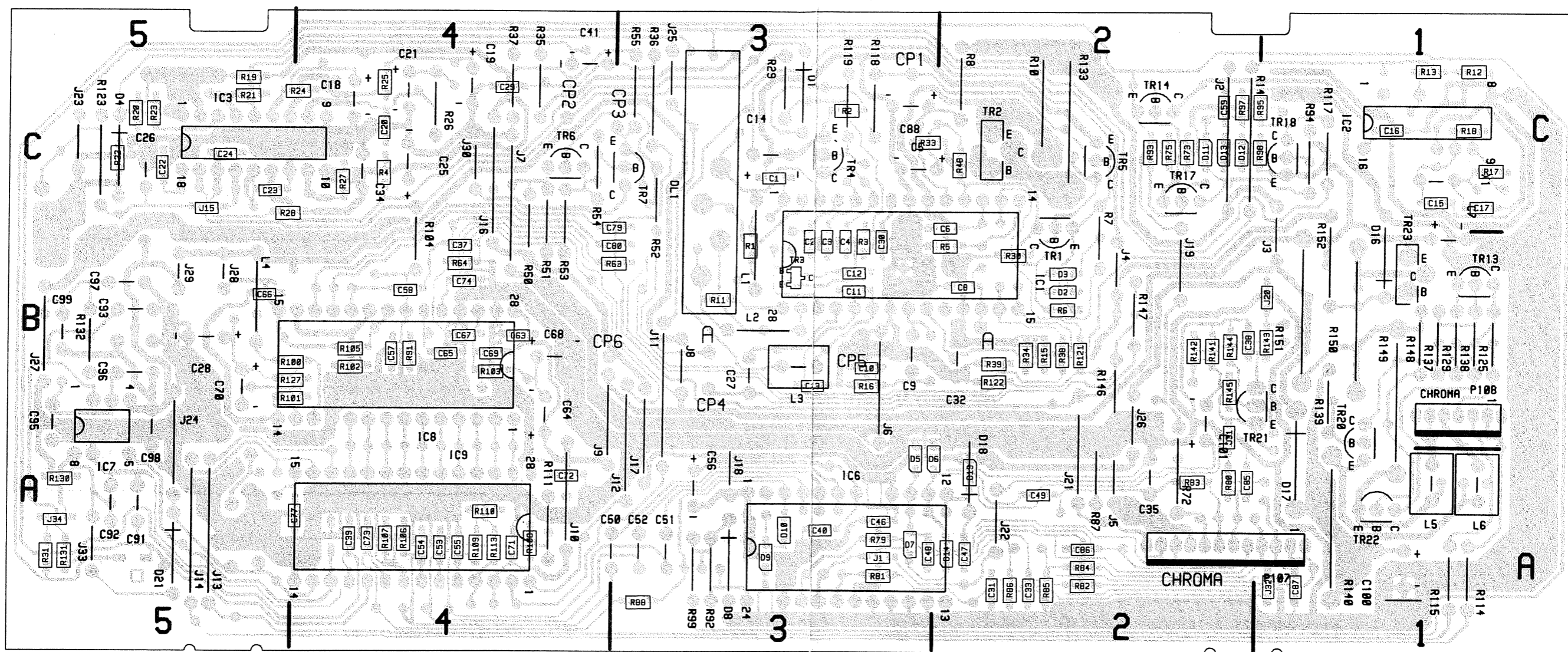
Bang & Olufsen

2-32
ACCESSORIES

2-32
ACCESSORIES

2-32

PCB 40 PICTURE-IN-PICTURE - MX 4000



3-1

3-1
LIST OF ELECTRICAL PARTS

LIST OF ELECTRICAL PARTS

Resistors not referred to are standard, see page 3-22

PCB 1, 8007449
Tuner & IF B/G/L

IC1	8341569	136	TDA 9820	IC6Δ	8341158	136	PCF 8574P
IC2	8341794	136	TDA 8417	IC7	8340212	105	78M05
IC3	8341137	136	TDA 8120	IC9	8340569	103	LM 358
IC4	8341142	136	TDA 8124	IC12	8341311	103	NE 567
IC5Δ	8340782	136	4094	IC13Δ	8340602	136	4052
TR1	8320509	20	BC 548B	TR17	8320510	20	BC558B
TR2*	8320369	31	BD 534	TR18	8320509	20	BC548B
	3358267		Heat sink f/TR2	TR22	8320510	20	BC558B
TR3	8320509	20	BC548B	TR24-	8320509	20	BC548B
TR7-	8320509	20	BC548B	TR25			
TR9				TR31-	8320509	20	BC548B
TR14	8320509	20	BC548B	TR32			
D1	8300803	214	ZPD33V 0.4W	D15	8300478	209	BA 483
D2	8300596	209	ZPD6.2V 0.4W	D23	8300779	214	1N 4531
D3	8300779	214	1N 4531	D26	8300222	209	ZPD2.7V 0.4W
D5-	8300779	214	1N 4531				
D6							
D8-	8300478	209	BA 483				
D11							
R17	5370370	4.7kΩ	30% 0.3W	R167	5370432	470Ω	30% 0.3W
R32	5021305	4.64kΩ	1% 1/8W	R196	5370381	10kΩ	30% 0.1W
R33	5021306	5.36kΩ	1% 1/8W	R204	5370382	47kΩ	30% 0.1W
R56	5370381	10kΩ	30% 0.1W	R225	5030037	2 x 5.6kΩ +	3 x 1kΩ SIL
R99	5370370	4.7kΩ	30% 0.3W				
R151	5021304	27kΩ	1% 1/8W				
C1-	4000136	22 pF	5% 63V	C51	4200512	1μF	20% 50V
C2				C52-	4010105	1nF	10% 50V
C3	4130313	470nF	20% 63V	C53			
C4	4200628	100μF	-20+50% 16V	C56	4200512	1μF	20% 50V
C5	4200544	22μF	20% 16V	C57	4130230	100nF	20% 63V
C24-	4130230	100nF	20% 63V	C64	4100239	4.7nF	5% 63V
C25				C69	4010105	1nF	10% 50V
C26	4130233	220nF	20% 63V	C70	4130262	22nF	20% 63V
C27	4130230	100nF	20% 63V	C71	4130257	33nF	20% 63V
C28	4200628	100μF	-20+50% 16V	C72	4200517	2.2μF	20% 50V
C33	4200510	10μF	20% 16V	C73	4130230	100nF	20% 63V
C36	4200544	22μF	20% 16V	C75	4130347	5.6nF	10% 63V
C37-	4010105	1nF	10% 50V	C76	4130313	470nF	20% 63V
C38				C77	4130311	680nF	10% 63V
C41	4200512	1μF	20% 50V	C78	4010241	4.7nF	5% 50V
C42	4200515	4.7μF	20% 25V	C85	4130230	100nF	20% 63V
C43	4010106	10nF	-20+80% 40V	C88-	4130230	100nF	20% 63V
C44-	4200512	1μF	20% 50V	C89			
C45				C90	4010105	1nF	10% 50V
C46	4200510	10μF	20% 16V	C95	4130230	100nF	20% 63V
C49	4000380	2.7pF ±0.25pF	50V	C96	4200510	10μF	20% 16V
C50	4010105	1nF	10% 50V	C97	4010105	1nF	10% 50V

Δ indicates that static electricity may destroy the component.
*Specially selected or adapted sample.

3-1

LIST OF ELECTRICAL PARTS

Bang & Olufsen

C99-	4200510	10μF	20% 16V	C117	4130234	470nF	10% 63V
C102				C119	4130230	100nF	20% 63V
C103	4010106	10nF	-20+80% 40V	C120	4000380	2.7pF ±0.25pF	50V
C112	4000155	56pF	5% 63V	C124	4130230	100nF	20% 63V
C113-	4010106	10nF	-20+80% 40V	C125-	4010105	1nF	10% 50V
C114				C126			

L2	8020595	Coil	6.8μH 10%	L13	8022250	Coil	4.7mH 5%
L7	8020650	Coil	470nH 5%	L14	8020807	Coil	10μH 10%
L9	8020738	Coil	38.9MHz	L15	8020729	Coil	6.8μH 5%
L11	8020739	Coil	38.9MHz	L16	8020600	Coil	1μH 10%
L12	8020738	Coil	38.9MHz				

BP1-	8030029	Cer filter	5.74MHz ±50kHz
BP2			
BP4	8030021	Cer filter	5.5MHz ±75kHz
BP5	8030026	Cer filter	5.5MHz ±50kHz
BP7	8030218	Cer filter	5.5MHz

SW1	8030082	OFW	K3252
SW2	8030137	OFW	G3264

TU1	8050140	Tuner	MTX 4/PLL
-----	---------	-------	-----------

FE3-	6000038	Ferrite core	
FE4			

X1	8090105	Crystal	10.0MHz
----	---------	---------	---------

P1	7220713	Plug	6/6 pole	P6	7220709	Plug	2/2 pole
P2	7220710	Plug	3/3 pole	P7	7220711	Plug	4/4 pole
P3-	7220712	Plug	5/5 pole	P8	7220709	Plug	2/2 pole
P4				P9	7220711	Plug	4/4 pole
P5	7220710	Plug	3/3 pole	P10	7220710	Plug	3/3 pole

IC8Δ	8340340	136	4053
------	---------	-----	------

TR15-	8320509	20	BC 548B	TR26	8320512	20	BC 338-25
TR16				TR28	8320104	20	BC 558B

D19	8300058	209	1N 4148
D27	8300212	209	1N 4448

C104	4200510	10μF	20% 16V	C107	4200510	10μF	20% 16V
C105-	4200525	22μF	20% 10V	C109	4100238	3.3nF	5% 63V
C106				C110	4130306	100nF	10% 63V

BP6	8030124	Cer filter	4.5MHz
BP8	8030223	Cer filter	4.5MHz

SW1	8008011	OFW	G 3450
-----	---------	-----	--------

Other electrical parts like PCB1, Tuner & IF B/G/L

Δ indicates that static electricity may destroy the component.

Bang & Olufsen

3-2 LIST OF ELECTRICAL PARTS

B/G/L/I 3390452 (Accessories)

Small bag with components to extend Tuner & IF B/G/L to system I.

D20 8300058 209 1N 4148

R9 5011441 470Ω 5% 1/8W

BP3 8030033 Cer filter 6MHz

SW2 8030159 Filter J 3251

B/G/D/K 3390453 (Accessories)

Small bag with components to modify Tuner & IF B/G/L to system B/G/D/K.

TR26 8320512 20 BC 338-25

D19 8300058 209 1N 4148

D27 8300212 209 1N 4448

D20 8300058 209 1N 4148

R158 5011358 560Ω 5% 1/8W

R172 5010816 1kΩ 5% 1/8W

R165 5010937 47kΩ 5% 1/8W

BP6 8030173 Filter 6.5MHz

SW1 8030241 Filter K 3255

PCB 3, 8008099 Video Output

TR1- 8320961 17 BF 421

TR3

TR4- 8320962 43 BF 871

TR6

3358282 Heat sink f/TR4-6

D1- 8300409 214 BAV 20

D14- 8300058 209 1N 4148

D4

D18

D5- 8300058 209 1N 4148

D19- 8300482 250 LL 4148

D7

D21

D8- 8300482 250 LL 4148

D13

R1- 5021395 8.2kΩ 5% 3W

R18 5020345 47Ω 10% 0.3W

R3

R19 5010806 1.2kΩ 5% 1/3W

R10- 5001167 2.2kΩ 10% 1/2W

R20 5390032 Focus potentiometer

R12

C1- 4000239 33pF 5% 50V

C5 4010211 2.2nF -0+100% 2kV

C3

C6 4200515 4.7μF 20% 25V

C4 4130098 100nF 20% 400V

C7 4000287 220nF -20+80% 25V

L1 8020590 270μH 10%

S1 7400038 Switch 1 pole

P1 7200119 Socket picture tube

P89 7220427 Plug 5/5 pole

P90 7220715 Plug 8/8 pole

P91 7500152 Contact pin

3-3

LIST OF ELECTRICAL PARTS

Bang & Olufsen

17 	20 	32 	34 	35 	40 	50 	66
103 	136 	146 	207 	209 	212 	214 	217
218 	221 						

Resistors not referred to are standard, see page 3-22

PCB 4, 8007519
Power Supply & Deflection

IC1-	8330234	136	CNY 17-2ZW	IC4	8340794	146	TDA 8172
IC2					2816195		Spring clip
IC3	8330297	136	CNY17 F2ZW	IC5	8340569	103	LM 358
TR1	8320850	35	BUT 12F	TR13-	8320497	20	BC 547B
	2816195		Spring clip	TR14			
TR2	8320507	20	BC 337-25	TR15	8320510	20	BC 558B
TR3	8320503	20	BC 557B	TR16	8320503	20	BC 557B
TR4	8320521	20	BC 556B	TR17-	8320497	20	BC 547B
TR5	8320514	20	BC 546B	TR19			
TR6	8320503	20	BC 557B	TR20Δ	8320853	66	IRF 624
TR7-	8320497	20	BC 547B	TR31Δ	8320922	50	VN 2010L
TR8				TR33	8320982	34	BU 2508DF
TR9	8320503	20	BC 557B		2816154		Spring clip
TR10	8320626	17	BC 368		6710008		Ferrite core
TR11	8320503	20	BC 557B	TR34	8320497	20	BC 547B
TR12	8320994	32	FXT 651S	TR35Δ	8320853	66	IRF 624
D1-	8300302	212	1N 5407	D40-	8300779	218	1N 4531
D4				D41			
D5-	8300675	217	BYV 26B	D42	8300596	209	ZPD 6.2V 0.4W
D6				D50	8300310	209	ZPD 10V 0.4W
	6710008		Ferrite core	D51	8300779	218	1N 4531
D7	8300670	221	BYV 26D	D52	8300201	209	ZPD 6.2V 0.4W
D8	8300779	218	1N 4531	D60	8300518	217	BA 157
D9-	8300671	209	RGP 10B	D61	8300671	209	RGP 10B
D12				D70	8300779	218	1N 4531
D15-	8300779	218	1N 4531	D71	8300310	209	ZPD 10V 0.4W
D18				D75-	8300779	218	1N 4531
D30	8300784	221	BYW 96D	D76			
D31	8300649	221	1N 5060	D77	8300518	217	BA 157
D32	8300671	209	RGP 10B	D78	8300779	218	1N 4531
D33	8300388	214	RGP 30P	D80-	8300518	217	BA 157
D34	8300776	40	BYW 29F	D81			
	2816195		Spring clip	D82	8300023	209	1N 4002
	6710008		Ferrite core	D83	8300304	221	BY 228
D35	8300671	209	RGP 10B	D84	8300784	221	BYW 96D
D36	8300776	40	BYW 29F	D90-	8300388	214	RGP 30P
	2816195		Spring clip	D91			
	6710008		Ferrite core	D93	8300388	214	RGP 30P
D37	8300779	218	1N 4531	D100	8300388	214	RGP 30P
D38	8300310	209	ZPD 10V 0.4W	D109	8300023	209	1N 4002
ST1	8300320	207	BTB 06				

Δ indicates that static electricity may destroy the component

Bang & Olufsen

3-4

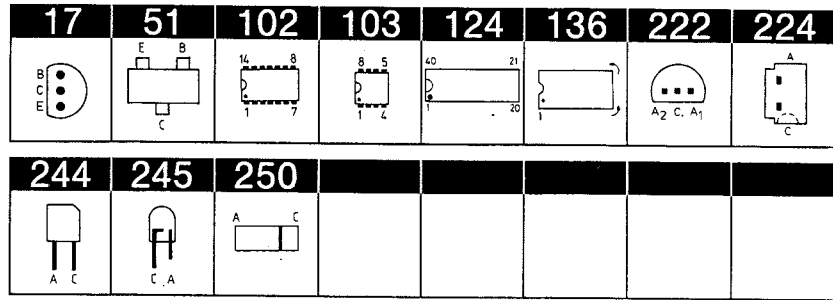
LIST OF ELECTRICAL PARTS

R2	5230009	PTC 40+1000Ω 265V	R68	5020183	464Ω 1% 1/4W
R5	5021364	1.5kΩ 5% 2W	R70	5020940	348kΩ 1% 1/4W
R10	5011209	10MΩ 5%	R71	5020234	14.7kΩ 1% 1/4W
R16	5021301	10kΩ 1% 1/8W	R72	5370402	2.2kΩ 30% 0.3W
R17	5021445	54.9kΩ 1% 1/8W	R123	5021348	866Ω 1% 1/8W
R18	5021346	226kΩ 1% 1/8W	R127	5021300	0.22Ω 5% 1/4W
R37	5020803	3.3Ω 5% 2W	R142	5021299	0.47Ω 5% 1/4W
R38	5012074	0.47Ω 5% 1/4W	R143	5011801	1.8kΩ 1% 1/4W
R55	5020714	0.1Ω 10% 0.4W	R144	5021410	2.15MΩ 1% 1/4W
R57	5020697	22kΩ 5% 1W	R145	5011802	1.8kΩ 1% 1/4W
R64	5020367	499Ω 1% 1/4W			
C1	4130505	100nF 20% 250V	C49-	4010105	1nF 10% 50V
C2	4130098	100nF 20% 400V	C51		
C3-	4130169	47nF 20% 250V	C52	4200392	2200μF -20+50% 16V
C4			C53	4200612	1000μF -20+50% 25V
C5-	4010240	2.2nF 20% 400V	C56	4130230	100nF 20% 63V
C6			C58	4000153	33pF 5% 50V
C7-	4010104	220pF 10% 500V	C61	4200517	2.2μF 20% 50V
C8			C62	4130230	100nF 20% 63V
C9	4201114	150μF 20% 385V	C70	4130308	220nF 10% 63V
C10-	4010104	220pF 10% 500V	C71	4130499	15nF 20% 400V
C11			C72	4010123	1nF 10% 500V
C12	4130474	6.8nF 20% 630V	C73	4130230	100nF 20% 63V
C13	4010230	220pF 20% 1kV	C80	4130503	470nF 20% 100V
C14	4200525	22μF 20% 10V	C81	4130502	15nF 10% 250V
C15	4010106	10nF -20+80% 40V	C82	4200368	100μF -20+50% 63V
C17	4010105	1nF 10% 50V	C90	4010103	2.2nF 10% 50V
C18	4010118	330pF 10% 50V	C91	4010101	4.7nF 10% 50V
C19	4010107	22nF -20+80% 40V	C92	4010104	220pF 10% 500V
C20-	4010103	2.2nF 10% 50V	C100	4201157	220μF 20% 16V
C23			C101	4130495	2.2nF 5% 1500V
C24	4100209	470pF 5% 63V	C102	4130323	6.8nF 5% 1500V
C26	4100235	680pF 5% 63V	C103	4130325	18nF 5% 630V
C29	4200917	100μF -20+50% 40V	C104	4130349	300nF 5% 250V
C30	4010101	4.7nF 10% 50V	C105	4130326	560nF 5% 250V
C31	4200952	47μF 25V	C106	4010123	1nF 10% 500V
C32	4200512	1μF 20% 50V	C120-	4200704	470μF 20% 25V
C34-	4010106	10nF -20+80% 40V	C121		
C35			C129	4130525	4.7nF 20% 250V
C40-	4010104	220pF 10% 500V	C130	4200512	1μF 20% 50V
C41			C131	4200704	470μF 20% 25V
C42	4201113	100μF -20+50% 250V	C132	4200368	100μF -20+50% 63V
C43	4010105	1nF 10% 50V	C133	4130233	220nF 20% 63V
C44	4200704	470μF 20% 25V	C134	4200704	470μF 20% 25V
C45	4130523	15nF 20% 250V	C135-	4130233	220nF 20% 63V
C46	4200610	470μF 20% 63V	C136		
C47	4010105	1nF 10% 50V	C137	4200525	22μF 20% 10V
C48	4200612	1000μF -20+50% 25V	C138	4200243	100pF 5% 50V
L1	6850209	Coil 0.5μH	L6	8020325	Coil 10μH
L2	6850218	Coil 0.3μH	L7	8024052	Coil 260μH 1.5A
L3	8024045	Coil	L8	8020900	Coil 4.5mH-38μH
L4	8020901	Coil 10mH	L10	8020708	Coil 15μH
L5	6850195	Coil 1.3μH			
FE1-	6710023	Ferrite core			
FE2					
F1	6600121	Fuse 3.15AT			
	7500223	Holder			
T1	8014113	Transformer EHT	T4	8014115	Transformer
T2	8014112	Transformer SMPS	T6	8022328	Mains filter
T3	8014121	Transformer			
CP1-	7500013	Contact pin			
CP3					



3-5

LIST OF ELECTRICAL PARTS

Bang & Olufsen

Resistors not referred to are standard, see page 3-22

S1 7220212 Plug 3/3 pole

P11	7220712	Plug 5/5 pole	P18	7220717	Plug 10/10 pole
P12	7220710	Plug 3/3 pole	P20	7220406	Plug 2/2 pole
P13	7220711	Plug 4/4 pole	P21	7220976	Plug 2/2 pole
P14	7220427	Plug 5/5 pole	P22	7220429	Plug 7/7 pole
P15	7220717	Plug 10/10 pole	P23	7220428	Plug 6/6 pole
P16	7220712	Plug 5/5 pole	P24	7220709	Plug 2/2 pole
P17	7220424	Plug 2/2 pole			

PCB 6, 8008133
Microcomputer 64K**PCB 6, 8008134**
Microcomputer 64K AUS

IC1Δ	8341463	136	6264 8KX8	IC6Δ	8341125	136	2816B
IC2Δ	8341034	124	80C32	IC7Δ	8341233	103	TL 7705C
IC3Δ*	8342102	136	27C512-20	IC8Δ	8340373	136	4001B
	8342104	136	27C512-20 AUS	IC9Δ	8341537	136	74HC138
	7200056		Socket f/IC3	IC11Δ	8340167	102	HEF 4001UB
IC4Δ	8341322	124	82C55A	IC12Δ	8340245	102	4011B
IC5Δ	8341046	136	74HC573				

TR2-	8320616	51	BC 858B	TR23-	8320615	51	BC 848B
TR3				TR24			
TR5-	8320616	51	BC 858B	TR26-	8320615	51	BC 848B
TR7				TR28			
TR8	8320615	51	BC 848B	TR30	8320747	51	BC 848C
TR9	8320740	51	BF 840	TR31-	8320615	51	BC 848B
TR10	8320616	51	BC 858B	TR32			
TR11-	8320615	51	BC 848B	TR33	8320616	51	BC 858B
TR12				TR34-	8320615	51	BC 848B
TR13	8320616	51	BC 858B	TR40			

D2-	8300520	224	ZPD6.8V 0.5W	D22	8300482	250	LL 4148
D3				D24-	8300482	250	LL 4148
D4-	8300482	250	LL 4148	D26			
D7				D27	8300520	224	ZPD6.8V 0.5W
D17	8300482	250	LL 4148	D28-	8300482	250	LL 4148
D18	8300520	224	ZPD6.8V 0.5W	D38			
D19	8300482	250	LL 4148				

C3-	4010166	100nF -20+80% 50V	C34	4010170	2.2nF 10% 50V
C9			C36	4000293	47pF 5% 50V
C10	4010170	2.2nF 10% 50V	C37	4010170	2.2nF 10% 50V
C17-	4010170	2.2nF 10% 50V	C39	4000293	47pF 5% 50V
C18			C40	4000287	220nF -20+80% 25V
C19	4010157	10nF 10% 50V	C41	4130315	15nF 5% 63V
C20	4010170	2.2nF 10% 50V	C46	4000286	470pF 5% 50V
C23-	4010170	2.2nF 10% 50V	C49	4010166	100nF -20+80% 50V
C26			C52	4010157	10nF 10% 50V
C28-	4010170	2.2nF 10% 50V	C53	4000287	220nF -20+80% 25V
C30			C54	4000233	220pF 5% 50V
C31	4000292	100pF 5% 50V	C56	4010177	22nF -20+80% 50V
C32	4000286	470pF 5% 50V	C57-	4000292	100pF 5% 50V
C33	4130313	470nF 20% 63V	C58		

Δ indicates that static electricity may destroy the component.

*Specially selected or adapted sample.

Bang & Olufsen

3-6

LIST OF ELECTRICAL PARTS

C59	4000286	470pF 5% 50V	C85-	4010173	4.7nF 10% 50V
C64	4010170	2.2nF 10% 50V	C86		
C68-	4010170	2.2nF 10% 50V	C87-	4000278	27pF 5% 50V
C70			C88		
C71	4010157	10nF 10% 50V	C89	4000287	220nF -20+80% 25V
C72-	4010170	2.2nF 10% 50V	C90-	4000292	100pF 5% 50V
C73			C94		
C77-	4010170	2.2nF 10% 50V	C95-	4000286	470pF 5% 50V
C78			C96		
C79	4000287	220nF -20+80% 25V	C97	4000293	47pF 5% 50V
C80	4200510	10µF 20% 16V	C98-	4010166	100nF -20+80% 50V
C81	4000286	470pF 5% 50V	C99		
C84	4000286	470pF 5% 50V	C100	4000286	470pF 5% 50V

L1-	8020552	Coil 10µH 10%	L8	8020807	Coil 10µH 10%
L2					
L4-	8020552	Coil 10µH 10%			
L7					

BP1	8030056	Cer filter 455kHz ±1kHz
-----	---------	-------------------------

X1	8090075	Crystal 12MHz
X2	8030024	Resonator 455kHz ±1kHz

P70	7220709	Plug 2/2 pole	P73	7220713	Plug 6/6 pole
P71	7220718	Plug 11/11 pole	P74	7220714	Plug 7/7 pole
P72	7220710	Plug 3/3 pole	P75	7220715	Plug 8/8 pole

PCB 7, 8007609 Headphone

R1-	5020460	220Ω 5% 1W
R2		

C1-	4010041	10nF -20+80% 40V
C2		

S1-	7400318	Switch 1 pole
S2		

P86	7220429	Plug 7/7 pole
P98	7210802	Socket headphone 3.5mm

PCB 9, 8007789 IR Transceiver

TR1	8320740	17 BF 840	TR6	8320616	51 BC 858B
TR2	8320636	51 BC 849B	TR7	8320615	51 BC 848B
TR4	8320616	51 BC 858B	TR9	8320993	51 FM MT 589
TR5	8320993	51 FM MT 589			

D3-	8330145	244 IR detector	D8	8330236	222 LED bi-colour
D4		455kHz		3152809	Holder f/D8
D5-	8330237	245 IR diode	D9	8330237	245 IR diode
D7					

R10	5011281	0.82Ω 5% 1/4W	R17	5210009	(LDR) 28kΩ
R12	5011281	0.82Ω 5% 1/4W			(50LUX)

C1-	4000286	470pF 5% 50V	C5-	4201120	220µF -20+50% 10V
C2			C6		
C3	4000234	47pF 5% 50V	C8-	4010166	100nF -20+80% 50V
C4	4000287	220nF -20+80% 25V	C10		

L1	8020910	Coil 220µH	L3	8020608	Coil 10µH 5%
L2	8020768	Coil 455kHz			

P85	7220716	Plug 9/9 pole
-----	---------	---------------

3-7 LIST OF ELECTRICAL PARTS

Bang & Olufsen

20 	51 	67 	101 	103 	125 	136 	138
143 	209 	214 	250 				

Resistors not referred to are standard, see page 3-22

PCB 10, 8007569 Sound Output

IC2- IC3	8341236	143	TDA 2040				
	2622448		Mica washer				
	2816195		Spring clip				
IC4Δ	8320946	67	IRF Z22				
D1- D3	8300779	214	1N 4531				
R12	5020110	10kΩ	1% 1/4W				
R21	5020229	9.53kΩ	1% 1/4W				
C1	4130234	470nF	10% 63V	C13	4200600	470μF	20% 16V
C3	4010027	1nF	10% 50V	C14-	4130233	220nF	20% 63V
C4	4200617	47μF	20% 10V	C15			
C5	4200600	470μF	20% 16V	C17-	4201115	3300μF	-20+50% 40V
C6	4130234	470nF	10% 63V	C18			
C8-	4130233	220nF	20% 63V	C19	4201143	10μF	20% 25V
C9				C20	4200516	47μF	20% 16V
C11	4010027	1nF	10% 50V	C21-	4130236	330nF	20% 63V
C12	4200617	47μF	20% 10V	C22			
L1- L2	6850114	Coil	0.5μH				
P46	7220711	Plug	4/4 pole	P48	7220424	Plug	2/2 pole
P47	7220427	Plug	5/5 pole				

PCB 13, 8007579 Sync Processing

IC1	8341131	136	TDA 2579A				
IC2	8341359	136	TDA 8432				
IC5Δ	8340176	136	HEF 4013				
TR1	8320510	20	BC 558B	TR7	8320510	20	BC 558B
TR2	8320509	20	BC 548B	TR8	8320509	20	BC 548B
TR3-	8320595	20	BC 337-40	TR9-	8320510	20	BC 558B
TR4				TR10			
TR5	8320509	20	BC 548B	TR11	8320509	20	BC 548B
D1- D3	8300779	214	1N 4531	D6- D9	8300779	214	1N 4531
D4	8300201	209	ZPD 6.2V 0.4W	D12	8300779	214	1N 4531
D5	8300169	209	ZPD 5.1V 0.5W	D14	8300779	214	1N 4531
R22	5011745	33kΩ	1% 1/4W				
R29	5011744	24kΩ	1% 1/4W				
R38	5020114	11kΩ	1% 1/4W				
R96	5011378	0.82Ω	5% 1/4W				

Δ indicates that static electricity may destroy the component.

Bang & Olufsen

3-8

LIST OF ELECTRICAL PARTS

C1	4200512	1µF 20% 50V	C21	4010106	10nF -20+80% 40V
C2	4010106	10nF -20+80% 40V	C22	4130233	220nF 20% 63V
C3-	4130230	100nF 20% 63V	C27	4000137	47pF 5% 63V
C5			C40	4200510	10µF 20% 16V
C6	4130313	470nF 20% 63V	C41	4200688	47µF 20% 50V
C7	4200544	22µF 20% 16V	C42	4000204	100pF 5% 63V
C8	4200517	2.2µF 20% 50V	C45	4200512	1µF 20% 50V
C9	4200616	6.8µF 20% 25V	C46	4010106	10nF -20+80% 40V
C10	4130230	100nF 20% 63V	C50	4200523	0.47µF 20% 50V
C12	4100289	2.7nF 1% 63V	C51	4130235	47nF 20% 63V
C13	4130230	100nF 20% 63V	C52	4010243	2.2nF 10% 500V
C14	4010105	1nF 10% 50V	C53	4010105	1nF 10% 50V
C15	4130303	15nF 10% 63V	C54	4200524	10µF 20% 25V
C16	4010106	10nF -20+80% 40V	C55-	4000136	22pF 5% 63V
C19	4130307	150nF 10% 63V	C56		
C20	4130313	470nF 20% 63V			

L2 8020916 Coil 47µH 450mA

P36 7220717 Plug 10/10 pole
P37 7220714 Plug 7/7 pole
P38 7220710 Plug 3/3 pole

PCB 14, 8007479 Double AV Switch

IC1	8341037	125	TDA 8421	IC10Δ	8341059	101	4052
IC2Δ-	8341059	101	4052	IC11Δ-	8341022	103	4558
IC5Δ				IC14Δ			
IC6	8341167	136	TEA 5115	IC16Δ-	8341022	103	4558
IC8Δ	8341025	138	4094	IC17Δ			
IC9	8341795	136	TEA 6416				

TR1	8320523	20	BC 328-25	TR13	8320755	51	BC 847B
TR2-	8320512	20	BC 338-25	TR14	8320616	51	BC 858B
TR5				TR15	8320755	51	BC 847B
TR6	8320509	20	BC 548B	TR16-	8320936	51	BC 847C
TR7	8320936	51	BC 847C	TR17			
TR8	8320497	20	BC 547B	TR18	8320503	20	BC 557B
TR9	8320936	51	BC 847C	TR19	8320497	20	BC 547B
TR10	8320616	51	BC 858B	TR20-	8320811	51	BC 857B
TR11	8320552	20	BC 327-25	TR21			
TR12	8320578	20	BC 558C	TR22	8320936	51	BC 847C

D2-	8300644	250	ZPD6.2V 0.5W	D15	8300478	209	BA 483
D3				D18	8300482	250	LL 4148
D4	8300779	209	1N 4531	D19	8300779	209	1N 4531
D5	8300482	250	LL 4148	D20-	8300635	250	BA 683
D6	8300029	209	ZPD12V 0.4W	D29			
D8	8300779	209	1N 4531	D30	8300482	250	LL 4148
D11	8300023	209	1N 4002	D31	8300779	209	1N 4531
D13	8300326	209	ZPD11V 0.4W	D32	8300482	250	LL 4148

R20	5021119	27Ω 5% 1W	R119	5020489	10Ω 10% 0.3W
R24	5020447	15Ω 5% 2W	R157-	5021145	76.8Ω 1% 1/4W
R27	5021197	39Ω 5% 1W	R160		
R32	5021197	39Ω 5% 1W			
R37-	5021145	76.8Ω 1% 1/4W			
R44					

C1-	4010175	33nF 10% 50V	C18-	4000345	1nF 5% 50V
C2			C19		
C3	4010101	4.7nF 10% 50V	C23	4000233	220pF 5% 50V
C4	4010173	4.7nF 10% 50V	C26	4000233	220pF 5% 50V
C7	4200628	100µF -20+50% 16V	C28-	4000233	220pF 5% 50V
C10	4200525	22µF 20% 10V	C29		
C11-	4130313	470nF 20% 63V	C30	4010166	100nF -20+80% 50V
C14			C33	4000233	220pF 5% 50V
C15-	4010166	100nF -20+80% 50V	C34	4010166	100nF -20+80% 50V
C17			C35	4130347	5.6nF 10% 63V

Δ indicates that static electricity may destroy the component.

3-9

LIST OF ELECTRICAL PARTS

Bang & Olufsen

20 	51 	53 	101 	103 	105 	147 	209
250 							

Resistors not referred to are standard, see page 3-22

C36-	4010166	100nF -20+80% 50V	C85-	4000287	220nF -20+80% 25V
C40			C87		
C42	4130306	100nF 10% 63V	C88-	4200525	22µF 20% 10V
C44	4130306	100nF 10% 63V	C89		
C46-	4000287	220nF -20+80% 25V	C90	4200600	470µF 20% 16V
C51			C91	4000233	220pF 5% 50V
C53	4201143	10µF 20% 25V	C94-	4010166	100nF -20+80% 50V
C54-	4000284	330pF 5% 50V	C95		
C57			C96-	4200515	4.7µF 20% 25V
C58-	4000287	220nF -20+80% 25V	C100		
C61			C101	4201143	10µF 20% 25V
C62-	4000284	330pF 5% 50V	C102-	4200515	4.7µF 20% 25V
C63			C103		
C64-	4000287	220nF -20+80% 25V	C104	4200826	10µF 20% 16V
C65			C105	4200510	10µF 20% 16V
C66-	4000284	330pF 5% 50V	C107	4010166	100nF -20+80% 50V
C67			C109	4200510	10µF 20% 16V
C68-	4000287	220nF -20+80% 25V	C110	4000287	220nF -20+80% 25V
C69			C111-	4010166	100nF -20+80% 50V
C70-	4010166	100nF -20+80% 50V	C112		
C73			C122	4010166	100nF -20+80% 50V
C74-	4000287	220nF -20+80% 25V	C124-	4010166	100nF -20+80% 50V
C75			C129		
C76-	4200517	2.2µF 20% 50V	C130	4200525	22µF 20% 10V
C77			C131	4010175	33nF 10% 50V
C78	4010176	10nF -20+80% 50V	C132-	4010166	100nF -20+80% 50V
C79	4000345	1nF 5% 50V	C136		
C80-	4200516	47µF 20% 16V	C139-	4200525	22µF 20% 10V
C81			C140		
C82-	4010157	10nF 10% 50V	C141	4000287	220nF -20+80% 25V
C83			C150	4000287	220nF -20+80% 25V
C84	4200617	47µF 20% 10V			

P18	3168760	Socket panel	P60	7220718	Plug 11/11 pole
P51	7220711	Plug 4/4 pole	P61	7220710	Plug 3/3 pole
P52	7220413	Plug 4/4 pole	P62	7220713	Plug 6/6 pole
P53	7220710	Plug 3/3 pole	P63	7220411	Plug 2/2 pole
P54	7220715	Plug 8/8 pole	P64	7220716	Plug 9/9 pole
P55	7220711	Plug 4/4 pole	P65	7220709	Plug 2/2 pole
P56	7220715	Plug 8/8 pole	P66	7220711	Plug 4/4 pole
P57	7220717	Plug 10/10 pole	P700	7220134	Plug 2/2 pole
P58	7220709	Plug 2/2 pole	P701	7220967	Plug 3/3 pole
P59	7220711	Plug 4/4 pole			

PCB 15, 8007739
St By Stabilization

IC1	8340212	105	78M05		
	3358291		Heat sink		
D1	8300556	209	ZPD 6.2V 1.3W		
C1	4200512		1µF 20% 50V	C3	4200628 100µF -20+50% 16V
C2	4130230		100nF 20% 63V	C4	4130230 100nF 20% 63V
L1	8020934		Coil 10µH 10%		

Bang & Olufsen

3-10 LIST OF ELECTRICAL PARTS

PCB 17, 8007679 Transposer Interface (Accessories)

F1	6604036	Fuse 315mA 250V			
P49- P50	7220424	Plug 2/2 pole	P79	7220711	Plug 4/4 pole
P76	7220426	Plug 4/4 pole	P81	7220709	Plug 2/2 pole
P77	7220715	Plug 8/8 pole	P82	7220716	Plug 9/9 pole
P78	7220714	Plug 7/7 pole	P83	7220429	Plug 7/7 pole
			P84	7220427	Plug 5/5 pole
TR1	8320510	20 BC 558B			
TR2	8320509	20 BC 548B			
D1	8300596	209 ZPD6.2V 0.4W			
D2	8300036	209 ZPD4.7V 0.4W			
R5	5020093	4.64kΩ 1% 1/4W			
R6	5020219	5.36kΩ 1% 1/4W			
C1	4200524	10μF 20% 25V			
C2	4010103	2.2nF 10% 50V			
P99	7220710	Plug 3/3 pole			
P100	7210660	Headphone socket 3.5mm			

PCB 29, 8003719 Transposer (Accessories)

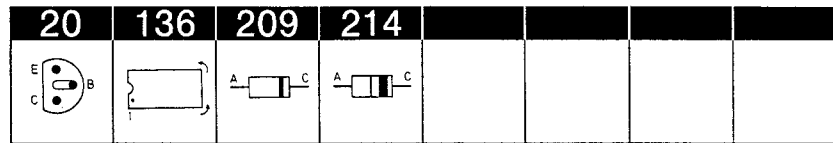
TR1	8320670	51 BFT 25	TR4	8320615	51 BC 848B
TR2	8320615	51 BC 848B	TR5	8320672	51 BFS 20
TR3	8320754	53 BF 992			
D1- D4	8300478	209 BA 483			
C1- C7	4000342	1nF 10% 50V	C16	4000342	1nF 10% 50V
C8	4000337	1.8pF ±0.25pF 63V	C17	4000332	8.2pF ±0.5pF 50V
C9	4000276	18pF 5% 50V	C18	4000275	15pF 5% 50V
C10	4000229	150pF 5% 50V	C19	4000276	18pF 5% 50V
C11	4000278	27pF 5% 50V	C20	4000267	3pF ±0.25pF 50V
C12	4000331	6.8pF ±0.25pF 50V	C21	4000342	1nF 10% 50V
C13	4000274	12pF 5% 50V	C22	4000331	6.8pF ±0.25pF 50V
C14	4000330	5.6pF ±0.5pF 50V	C23	4000274	12pF 5% 50V
C15	4000337	1.8pF ±0.25pF 63V	C24	4000342	1nF 10% 50V
L1- L2	8020609	Coil 3.3μH	L5	6850175	Coil 52nH
L3	6850203	Coil 400nH	L6	6850174	Coil 860nH
L4	6850177	Coil 97nH	L7	6850202	Coil 235nH
			L8	6850179	Coil 58nH
	7210589	Socket COAX, female	3164631	Cap, top	
	7220539	Socket COAX, male	3164635	Cap, bottom	
			6270386	Wire w/plug	

PCB 31, 8007809 Nicam B/G/I

IC1	8340790	103 4558	IC5	8341225	103 LM 3578
IC2	8341724	147 SAA 7322	IC6	8341368	103 TL 026CP
IC3	8341308	101 74HC4053	IC7	8341754	147 CF 70088
IC4	8340790	103 4558			
TR3	8320595	20 BC 337-40			
TR4	8320615	51 BC 848B			
D1	8300817	209 1N 5819			
D2	8300639	250 ZPD12V 0.5W			
D3- D4	8300482	250 LL 4148			

3-11

LIST OF ELECTRICAL PARTS

Bang & Olufsen

Resistors not referred to are standard, see page 3-22

R3	5020759	0.27Ω 5% 1/4W	R25	5012145	3.83kΩ 1% 1/8W
R10	5021301	10kΩ 1% 1/8W	R26	5012144	29.4kΩ 1% 1/8W
R11-	5021398	16.9kΩ 1% 1/8W	R27	5011557	10kΩ 1% 1/8W
R12			R28	5012144	29.4kΩ 1% 1/8W
R13-	5021368	162kΩ 1% 1/8W	R29	5012145	3.83kΩ 1% 1/8W
R14			R31	5020135	12Ω 10% 0.4W
R17-	5011557	10kΩ 1% 1/8W	R46	5011877	5.11kΩ 1% 1/8W
R19			R48	5011877	5.11kΩ 1% 1/8W
R20-	5021367	47.5kΩ 1% 1/8W	R49	5020801	2.74kΩ 1% 1/4W
R21			R50	5011792	4.75kΩ 1% 1/8W
R22-	5011557	10kΩ 1% 1/8W			
R24					

C1	4200760	220μF -20+50% 16V	C29	4130230	100nF 20% 63V
C2	4201187	10μF 20% 50V	C30	4010157	10nF 10% 50V
C3	4000345	1nF 5% 50V	C31	4010177	22nF -20+80% 50V
C4	4000233	220pF 5% 50V	C32-	4000326	680pF 5% 50V
C5-	4200512	1μF 20% 50V	C34		
C8			C35	4010166	100nF -20+80% 50V
C9	4130262	22nF 20% 63V	C38	4010166	100nF -20+80% 50V
C10	4010177	22nF -20+80% 50V	C39	4010157	10nF 10% 50V
C11	4130268	10nF 5% 63V	C40	4000281	82pF 5% 50V
C12-	4010220	100nF 10% 50V	C41	4000345	1nF 5% 50V
C13			C42	4010157	10nF 10% 50V
C14-	4010209	47nF 10% 50V	C43-	4010166	100nF -20+80% 50V
C15			C44		
C16	4000284	330pF 5% 50V	C45	4010177	22nF -20+80% 50V
C17	4000286	470pF 5% 50V	C46	4010157	10nF 10% 50V
C18	4130268	10nF 5% 63V	C47-	4010171	1.5nF 10% 50V
C19	4000326	680pF 5% 50V	C48		
C20	4010209	47nF 10% 50V	C49	4200511	100μF 20% 10V
C21	4000284	330pF 5% 50V	C50-	4000239	33pF 5% 50V
C22	4000286	470pF 5% 50V	C51		
C23	4000326	680pF 5% 50V	C52	4200525	22μF 20% 10V
C24	4000219	10pF 0.5pF 50V	C53	4010166	100nF -20+80% 50V
C26	4010157	10nF 10% 50V	C54-	4000219	10pF 0.5pF 50V
C27	4010177	22nF -20+80% 50V	C56		
C28	4000239	33pF 5% 50V	C57	4010177	22nF -20+80% 50V

L1	8020759	Coil 1mH 10%
L2	8020672	Coil 33μH 10%
L3-	8020649	Coil 3.9μH 5%
L5		
L6	8020552	Coil 10μH 10%

X1	8090148	Crystal 16.384MHz
----	---------	-------------------

P94	7220713	Plug 6/6 pole	P96	7220712	Plug 5/5 pole
P95	7220710	Plug 3/3 pole	P97	7220711	Plug 4/4 pole

PCB 34, 8007617
Headphone MX 4000

R1-	5020460	220Ω 5% 1W
R2		

C1-	4010041	10nF -20+80% 40V
C2		

P86	7220429	Plug 7/7 pole	P98	7210802	Socket headphone 3.5mm
P87	7220710	Plug 3/3 pole			

Bang & Olufsen

3-12 LIST OF ELECTRICAL PARTS

PCB 36, 8007617

Deflection Transformer

R3 5011000 10Ω 5% 1/2W

T1 8014122 Transformer

S1- 7400318 Switch 1 pole
S2

P88 7220710 Plug 3/3 pole
P92 7220429 Plug 7/7 pole

P93 7220430 Plug 8/8 pole

PCB 37, 8007509 Teletext

IC1 8340720 **136** SAA 5231
IC2 8341068 **136** SAA 5243

IC3 8341463 **136** 6264

TR1- 8320509 **20** BC 548B
TR2
TR3 8320595 **20** BC 337-40
TR5- 8320509 **20** BC 548B
TR6

TR7 8320595 **20** BC 337-40
TR8 8320509 **20** BC 548B

D1 8300296 **209** ZPD 5.6V 0.4W
D2 8300779 **214** 1N 4531
D5 8300779 **214** 1N 4531

R11 5020591 6.8Ω 5% 2W
R39- 5020569 1.3kΩ 1% 1/4W
R41
R42- 5011510 1kΩ 1% 1/8W
R44

R45- 5011512 750Ω 1% 1/8W
R47

C1 4200672 22μF 20% 16V
C3 4200511 100μF 20% 10V
C4 4200510 10μF 20% 16V
C5 4000165 220pF 5% 63V
C6 4130290 68nF 20% 63V
C7- 4000146 15pF 5% 63V
C8
C9 4010105 1nF 10% 50V
C10 4010128 470pF 10% 50V
C11 4130262 22nF 20% 63V
C12 4010110 270pF 10% 50V

C13 4000139 100pF 5% 63V
C14 4200616 6.8μF 20% 25V
C15 4200512 1μF 20% 50V
C16 4000140 27pF 5% 63V
C17 4130230 100nF 20% 63V
C18 4010106 10nF -20+80% 40V
C20- 4130230 100nF 20% 63V
C21
C26 4130308 220nF 10% 63V
C27 4130240 47nF 10% 63V
C28 4200512 1μF 20% 50V

L1 8020565 Coil 2.2μH 10%
L2 8020554 Coil 15μH 5%
L3 8020565 Coil 2.2μH 10%
L4 8020555 Coil 6MHz
L5- 8020916 Coil 47μH 450mA
L6

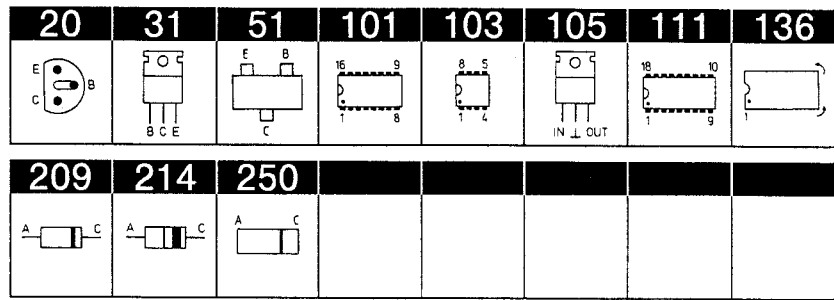
X1 8090041 Crystal 13.875MHz

P40 7220712 Plug 5/5 pole
P41 7220713 Plug 6/6 pole
P42 7220715 Plug 8/8 pole
P43 7220710 Plug 3/3 pole

3-13

LIST OF ELECTRICAL PARTS

Bang & Olufsen



Resistors not referred to are standard, see page 3-22

PCB 38, 8007779 Tuner & IF Pal I

IC1	8341569	136	TDA 9820	IC8 Δ	8340340	101	4053
IC3	8341137	136	TDA 8120	IC9	8340569	103	LM 358
IC4	8341142	136	TDA 8124	IC12	8341311	103	NE 567
IC6 Δ	8341158	136	PCF 8574P	IC13 Δ	8340602	136	4052
IC7	8340212	105	78M05				
TR1	8320509	20	BC 548B	TR17	8320510	20	BC 558B
TR2	8320369	31	BD 534	TR18-	8320509	20	BC 548B
	3358267		Heat sink f/TR2	TR19			
TR3	8320509	20	BC 548B	TR22	8320510	20	BC 558B
TR14-	8320509	20	BC 548B	TR28	8320510	20	BC 558B
TR16				TR31-	8320509	20	BC 548B
				TR32			
D1	8300803	214	ZPD 33V 0.4W	D15	8300478	209	BA 483
D2	8300596	209	ZPD 6.2V	D21	8300779	214	1N 4531
D3	8300779	214	1N 4531	D23	8300779	214	1N 4531
D5-	8300779	214	1N 4531	D26	8300222	209	ZPD 2.7V 0.4W
D6							
R32	5021305	4.64k Ω	1% 1/8W	R167	5370432	470 Ω	30% 0.3W
R33	5021306	5.36k Ω	1% 1/8W	R196	5370381	10k Ω	30% 0.1W
R56	5370381	10k Ω	30% 0.1W	R204	5370382	47k Ω	30% 0.1W
R99	5370370	4.7k Ω	30% 0.3W	R225	5030037	2 x 5.6k Ω + 3 x 1k Ω SIL	
R151	5021304	27k Ω	1% 1/8W				
C1-	4000136	22pF	5% 63V	C78	4010241	4.7nF	5% 50V
C2				C85	4130230	100nF	20% 63V
C3	4130313	470nF	20% 63V	C88-	4130230	100nF	20% 63V
C4	4200628	100 μ F	-20+50% 16V	C89			
C5	4200544	22 μ F	20% 16V	C90	4010105	1nF	10% 50V
C33	4200510	10 μ F	20% 16V	C95	4130230	100nF	20% 63V
C36	4200544	22 μ F	20% 16V	C96	4200510	10 μ F	20% 16V
C41	4200512	1 μ F	20% 50V	C99-	4200510	10 μ F	20% 16V
C43	4010106	10nF	-20+80% 40V	C100			
C44-	4200512	1 μ F	20% 50V	C102	4200510	10 μ F	20% 16V
C45				C103	4010106	10nF	-20+80% 40V
C46	4200510	10 μ F	20% 16V	C104	4200510	10 μ F	20% 16V
C49	4000380	2.7pF \pm 0.25pF	50V	C105-	4200544	22 μ F	20% 16V
C50	4010105	1nF	10% 50V	C106			
C51	4200512	1 μ F	20% 50V	C107	4200510	10 μ F	20% 16V
C52-	4010105	1nF	10% 50V	C109	4100238	3.3nF	5% 63V
C53				C110	4130230	100nF	20% 63V
C56	4200512	1 μ F	20% 50V	C111	4200510	10 μ F	20% 16V
C69	4010105	1nF	10% 50V	C112	4000155	56pF	5% 63V
C70	4130262	22nF	20% 63V	C113-	4010106	10nF	-20+80% 40V
C71	4130257	33nF	20% 63V	C114			
C72	4200517	2.2 μ F	20% 50V	C117	4130234	470nF	10% 63V
C73	4130230	100nF	20% 63V	C119	4130230	100nF	20% 63V
C75	4130347	5.6nF	10% 63V	C120	4000380	2.7pF \pm 0.25pF	50V
C76	4130313	470nF	20% 63V	C124	4130230	100nF	20% 63V
C77	4130311	680nF	10% 63V	C125	4010105	1nF	10% 50V

Δ indicates that static electricity may destroy the component.

Bang & Olufsen

3-14

LIST OF ELECTRICAL PARTS

L2	8020595	Coil 6.8 μ H 10%	L12	8020738	Coil 38.9MHz
L7	8020650	Coil 470nH 5%	L13	8022250	Coil 4.7mH 5%
L9	8020738	Coil 38.9MHz	L14	8020807	Coil 10 μ H 10%
L11	8020739	Coil 38.9MHz	L16	8020600	Coil 1 μ H 10%

BP3 8030033 Cer filter 6MHz

SW2 8030159 OFW J3251

TU1 8050137 Tuner UHF MTX

FE3-4 6000038 Ferrite core

X1 8090105 Crystal 10.0MHz

P1	7220713	Plug 6/6 pole	P6	7220709	Plug 2/2 pole
P2	7220710	Plug 3/3 pole	P7	7220711	Plug 4/4 pole
P3-	7220712	Plug 5/5 pole	P8	7220709	Plug 2/2 pole
P4			P9	7220711	Plug 4/4 pole
P5	7220710	Plug 3/3 pole			

PCB 39, 8008023 Pal Decoder

IC2	8341531	101	TDA 4510	IC5	8341193	101	TDA 8444
IC3 Δ	8341728	101	TDA 4661	IC6	8341933	111	TDA 4565
IC4	8341725	136	TDA 3505				

TR1-	8320811	51	BC 857B	TR25-	8320498	20	BC 547C
TR2				TR27			
TR4-	8320811	51	BC 857B	TR29	8320811	51	BC 857B
TR5				TR30-	8320936	51	BC 847C
TR6	8320755	51	BC 847B	TR32			
TR7	8320811	51	BC 857B	TR35	8320595	20	BC 337-40
TR8	8320755	51	BC 847B	TR36	8320747	51	BC 848C
TR12	8320936	51	BC 847C				
TR22-	8320811	51	BC 857B				
TR23							

D1	8300482	250	LL 4148	D28-	8300482	250	LL 4148
D3-	8300478	209	BA 483	D34			
D4				D35	8300605	250	ZPD10V 0.5W
D25	8300563	250	ZPD5.1V 0.5W	D37-	8300482	250	LL 4148
D26	8300482	250	LL 4148	D41			
D27	8300723	250	ZPD8.2V 0.5W				

R6	5011740	332 Ω	1% 1/8W	R100	5011841	11.8k Ω	1% 1/8W
R8	5012154	1k Ω	1% 1/8W	R102	5011600	100k Ω	1% 1/8W
R11	5012131	316 Ω	1% 1/8W	R105	5011839	180k Ω	1% 1/8W
R15	5011842	1.05k Ω	1% 1/8W	R107	5011599	49.9k Ω	1% 1/8W
R17	5011871	365 Ω	1% 1/8W	R108	5021346	226k Ω	1% 1/8W
R25	5011871	365 Ω	1% 1/8W	R110	5011996	8.25k Ω	1% 1/8W
R60	5011914	5.1k Ω	1% 1/8W	R116	5011600	100k Ω	1% 1/8W
R93	5011570	200 Ω	1% 1/8W	R157	5011378	0.82 Ω	5% 1/4W

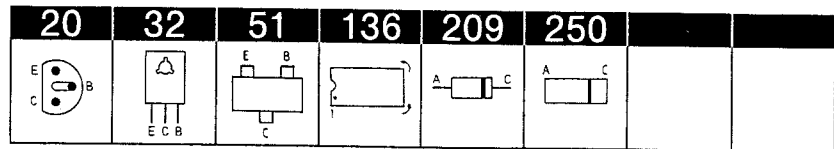
C1	4200672	22 μ F	20% 16V	C11	4000332	8.2pF	0.5pF 50V
C2	4200525	22 μ F	20% 10V	C12-	4130070	1 μ F	10% 50V
C3	4201171	1 μ F	20% 50V	C13			
C5	4000168	120pF	5% 63V	C15-	4000242	120pF	5% 50V
C6	4200510	10 μ F	20% 16V	C16			
C7	4010166	100nF	-20+80% 50V	C17	4130070	1 μ F	10% 50V
C8	4130070	1 μ F	10% 50V	C18	4130236	330nF	20% 63V
C9	4000219	10pF	0.5pF 50V	C19	4200508	22 μ F	20% 25V
C10	4000233	220pF	5% 50V				



Δ indicates that static electricity may destroy the component.

3-15

LIST OF ELECTRICAL PARTS

Bang & Olufsen

Resistors not referred to are standard, see page 3-22

C20-	4130236	330nF 20% 63V	C80	4010166	100nF -20+80% 50V
C21			C81	4000290	22nF 10% 50V
C22	4000241	100pF 5% 50V	C82	4200403	100µF -20+50% 25V
C23	4130230	100nF 20% 63V	C92-	4000290	22nF 10% 50V
C24	4000279	39pF 5% 50V	C97		
C25	4000241	100pF 5% 50V	C98-	4000287	220nF -20+80% 25V
C26	4000280	68pF 5% 50V	C101		
C27	4000233	220pF 5% 50V	C104-	4010106	10nF -20+80% 40V
C30	4000233	220pF 5% 50V	C105		
C36	4000239	33pF 5% 50V	C108	4000287	220nF -20+80% 25V
C37	4000284	330pF 5% 50V	C109	4200544	22µF 20% 16V
C41	4010155	220pF 10% 50V	C111	4200517	2.2µF 20% 50V
C42	4130230	100nF 20% 63V	C112-	4200510	10µF 20% 16V
C44	4000276	18pF 5% 50V	C113		
C48	4340034	7.5-50pF	C114	4200672	22µF 20% 16V
C49	4000278	27pF 5% 50V	C115	4010157	10nF 10% 50V
C50	4130236	330nF 20% 63V	C118	4200510	10µF 20% 16V
C51	4010209	47nF 10% 50V	C122-	4000326	680pF 5% 50V
C53	4000290	22nF 10% 50V	C124		
C56	4010157	10nF 10% 50V	C125	4000287	220nF -20+80% 25V
C57	4200600	470µF 20% 16V	C126	4010132	1nF 10% 50V
C58	4010157	10nF 10% 50V	C127	4010172	3.3nF 10% 50V
C73-	4010166	100nF -20+80% 50V	C128	4000281	82pF 5% 50V
C74			C129-	4000241	100pF 5% 50V
C75	4000241	100pF 5% 50V	C132		
C77	4000241	100pF 5% 50V	C135	4200403	100µF -20+50% 25V
C79	4010157	10nF 10% 50V			

L1	8020749	Coil 10µH	L5	8020595	Coil 6.8µH 10%
L2-	8020595	Coil 6.8µH 10%	L21	8020649	Coil 3.9µH 5%
L3			L35	8020916	Coil 47µH
L4	8020554	Coil 15µH 5%			

X2 8090005 Crystal 8.8672MHz

CP10 7500013 Contact pin

P26	7220715	Plug 8/8 pole	P30	7220715	Plug 8/8 pole
P27	7220711	Plug 4/4 pole	P31	7220709	Plug 2/2 pole
P28	7220713	Plug 6/6 pole	P35	7220710	Plug 3/3 pole
P29	7220714	Plug 7/7 pole			

IC1	8341191	136	TEA 5640C	IC7	8341646	136	SDA 9086-3
IC2Δ	8341230	136	4060	IC8	8341442	136	SDA 9087
IC3	8341131	136	TDA 2579A	IC9	8341443	136	SDA 9088
IC6	8341363	136	TDA 8443A				

TR1	8320509	20	BC 548B	TR17	8320509	20	BC 548B
TR2	8320239	32	BD 135	TR18	8320510	20	BC 558B
TR3	8320615	51	BC 848B	TR20	8320510	20	BC 558B
TR4-	8320509	20	BC 548B	TR21	8320509	20	BC 548B
TR5				TR22	8320510	20	BC 558B
TR13-	8320509	20	BC 548B	TR23	8320239	32	BD 135
TR14							



Δ indicates that static electricity may destroy the component.

PCB 40, 8007859
Picture-in-picture
for MX 4000
(Accessories)

Bang & Olufsen

3-16

LIST OF ELECTRICAL PARTS

D1	8300173	209	ZPD8.2V 0.4W	D9-	8300482	250	LL 4148
D2-	8300482	250	LL 4148	D14			
D3				D16	8300296	209	ZPD5.6V 0.4W
D4	8300169	209	ZPD5.1V 0.4W	D17	8300023	209	1N 4002
D5-	8300482	250	LL 4148	D18	8300058	209	1N 4148
D7				D19	8300482	250	LL 4148
D8	8300201	209	ZPD6.2V 0.4W	D21	8300058	209	1N 4148

R5	5011555	1.82k Ω	1% 1/8W	R149-	5020480	1 Ω	5% 1W
R123	5020704	34.8k Ω	1% 1/4W	R150			
R133	5020495	10 Ω	5% 1W	R151	5020727	18 Ω	5% 1W
R140	5020480	1 Ω	5% 1W				

C1	4000287	220nF	-20+80% 25V	C46	4000287	220nF	-20+80% 25V
C2-	4010157	10nF	10% 50V	C47-	4010166	100nF	-20+80% 50V
C3				C49			
C4	4000290	22nF	10% 50V	C50-	4130230	100nF	20% 63V
C5	4200512	1 μ F	20% 50V	C52			
C6	4000229	150pF	5% 50V	C53-	4000234	47pF	5% 50V
C7	4200511	100 μ F	20% 10V	C54			
C8	4000229	150pF	5% 50V	C55	4000240	56pF	5% 50V
C9	4130313	470nF	20% 63V	C56	4200544	22 μ F	20% 16V
C10	4000345	1nF	5% 50V	C57	4000233	220pF	5% 50V
C11	4000280	68pF	5% 50V	C58	4010166	100nF	-20+80% 50V
C12	4000281	82pF	5% 50V	C59	4010175	33nF	10% 50V
C13	4010166	100nF	-20+80% 50V	C63	4010166	100nF	-20+80% 50V
C14	4200516	47 μ F	20% 16V	C64	4200517	2.2 μ F	20% 50V
C15	4000279	39pF	5% 50V	C65-	4010166	100nF	-20+80% 50V
C16	4010166	100nF	-20+80% 50V	C66			
C17	4000279	39pF	5% 50V	C67	4000282	180pF	5% 50V
C18	4200512	1 μ F	20% 50V	C68	4200512	1 μ F	20% 50V
C19	4200508	22 μ F	20% 25V	C69	4000283	270pF	5% 50V
C20	4010166	100nF	-20+80% 50V	C70	4200512	1 μ F	20% 50V
C21	4200515	4.7 μ F	20% 25V	C71-	4010166	100nF	-20+80% 50V
C22-	4010166	100nF	-20+80% 50V	C72			
C24				C73-	4000233	220pF	5% 50V
C25	4200516	47 μ F	20% 16V	C74			
C26	4100289	2.7nF	1% 63V	C77	4010166	100nF	-20+80% 50V
C27	4000155	56pF	5% 63V	C79-	4010166	100nF	-20+80% 50V
C28	4200831	470 μ F	20% 10V	C80			
C29	4000233	220pF	5% 50V	C85-	4000278	27pF	5% 50V
C30	4000242	120pF	5% 50V	C87			
C31	4000278	27pF	5% 50V	C88	4200512	1 μ F	20% 50V
C32	4010107	22nF	-20+80% 40V	C91	4000204	100pF	5% 63V
C33	4000278	27pF	5% 50V	C92	4000138	33pF	5% 63V
C34	4010107	22nF	-20+80% 40V	C93	4010155	220pF	10% 50V
C35	4000140	27pF	5% 63V	C95-	4010128	470pF	10% 50V
C37	4000239	33pF	5% 50V	C96			
C38	4000241	100pF	5% 50V	C97-	4130306	100nF	10% 63V
C39	4010157	10nF	10% 50V	C99			
C40	4000290	22nF	10% 50V	C100	4200600	470 μ F	20% 16V
C41	4200672	22 μ F	20% 16V	C101	4200510	10 μ F	20% 16V

L1	8020608	Coil	10 μ H 5%	L4	8020608	Coil	10 μ H 5%
L2	8020552	Coil	10 μ H 10%	L5-	8020916	Coil	47 μ H
L3	8020830	Coil	10 μ H	L6			

DL1 6240012 Delay line 64 μ S

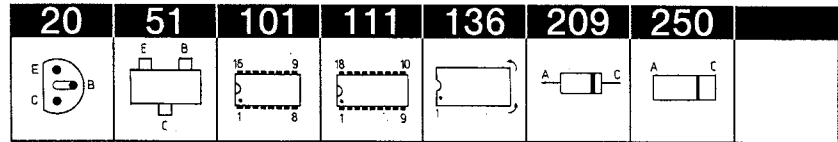
X1 8090000 Crystal 4.00MHz

P107 7220717 Plug 10/10 pole
P108 7220712 Plug 5/5 pole

3-17

LIST OF ELECTRICAL PARTS

Bang & Olufsen



Resistors not referred to are standard, see page 3-22

PCB 41, 8008062
Pal/Secam/NTSC Decoder

IC1	8341726	101	TDA 4650	IC5	8341193	101	TDA 8444
IC3Δ	8341728	101	TDA 4661	IC6	8341933	111	TDA 4565
IC4	8341725	136	TDA 3505				
TR1-	8320811	51	BC 857B	TR22-	8320811	51	BC 857B
TR2				TR23			
TR3	8320755	51	BC 847B	TR25-	8320498	20	BC 547C
TR4-	8320811	51	BC 857B	TR27			
TR5				TR29	8320811	51	BC 857B
TR6	8320755	51	BC 847B	TR30-	8320936	51	BC 847C
TR7	8320811	51	BC 857B	TR32			
TR8	8320755	51	BC 847B	TR35	8320595	20	BC 337-40
TR12	8320936	51	BC 847C	TR36	8320747	51	BC 848C
TR15-	8320936	51	BC 847C				
TR16							
D1	8300482	250	LL 4148	D25	8300563	250	ZPD5.1V 0.5W
D2	8300577	250	ZPD3.9V 0.5W	D26	8300482	250	LL 4148
D3-	8300478	209	BA 483	D27	8300723	250	ZPD8.2V 0.5W
D4				D28-	8300482	250	LL 4148
D10-	8300482	250	LL 4148	D34			
D11				D35	8300605	250	ZPD10V 0.5W
D13	8300482	250	LL 4148	D37-	8300482	250	LL 4148
D17-	8300482	250	LL 4148	D41			
D18							
R6	5011740	332Ω	1% 1/8W	R100	5011841	11.8kΩ	1% 1/8W
R8	5012154	1kΩ	1% 1/8W	R102	5011600	100kΩ	1% 1/8W
R11	5012131	316Ω	1% 1/8W	R105	5011839	180kΩ	1% 1/8W
R15	5011842	1.05kΩ	1% 1/8W	R107	5011599	49.9kΩ	1% 1/8W
R17	5011871	365Ω	1% 1/8W	R108	5021346	226kΩ	1% 1/8W
R25	5011871	365Ω	1% 1/8W	R110	5011996	8.25kΩ	1% 1/8W
R65	5370402	2.2kΩ	30% 0.3W	R116	5011600	100kΩ	1% 1/8W
R93	5011570	200Ω	1% 1/8W	R157	5011378	0.82Ω	5% 1/4W
C1	4200672	22μF	20% 16V	C26	4000280	68pF	5% 50V
C2	4200525	22μF	20% 10V	C27	4000233	220pF	5% 50V
C3	4201171	1μF	20% 50V	C30	4000233	220pF	5% 50V
C4	4000281	82pF	5% 50V	C32	4000233	220pF	5% 50V
C5	4000168	120pF	5% 63V	C33	4010157	10nF	10% 50V
C6	4200510	10μF	20% 16V	C36	4000239	33pF	5% 50V
C7	4010166	100nF	-20+80% 50V	C37	4000284	330pF	5% 50V
C8	4130070	1μF	10% 50V	C38-	4000345	1nF	5% 50V
C9	4000219	10pF	0.5pF 50V	C39			
C10	4000233	220pF	5% 50V	C40	4000344	560pF	5% 50V
C11	4000332	8.2pF	0.5pF 50V	C41	4010155	220pF	10% 50V
C12-	4130070	1μF	10% 50V	C42	4130230	100nF	20% 63V
C13				C44-	4000276	18pF	5% 50V
C15-	4000242	120pF	5% 50V	C45			
C16				C46	4340034	7.5-50pF	
C17	4130070	1μF	10% 50V	C47	4000239	33pF	5% 50V
C18	4130236	330nF	20% 63V	C48	4340034	7.5-50pF	
C19	4200508	22μF	20% 25V	C49	4000278	27pF	5% 50V
C20-	4130236	330nF	20% 63V	C50	4130236	330nF	20% 63V
C21				C51	4010209	47nF	10% 50V
C22	4000241	100pF	5% 50V	C52	4010166	100nF	-20+80% 50V
C23	4130230	100nF	20% 63V	C53-	4000290	22nF	10% 50V
C24	4000279	39pF	5% 50V	C54			
C25	4000241	100pF	5% 50V	C55	4000345	1nF	5% 50V

Δ indicates that static electricity may destroy the component.

Bang & Olufsen

3-18

LIST OF ELECTRICAL PARTS

C56	4010157	10nF 10% 50V	C98-	4000287	220nF -20+80% 25V
C57	4200600	470µF 20% 16V	C101		
C58	4010157	10nF 10% 50V	C104-	4010106	10nF -20+80% 40V
C59	4000275	15pF 5% 50V	C105		
C60	4000229	150pF 5% 50V	C108	4000287	220nF -20+80% 25V
C61	4000226	68pF 5% 63V	C109	4200544	22µF 20% 16V
C62	4000229	150pF 5% 50V	C111	4200517	2.2µF 20% 50V
C63	4000275	15pF 5% 50V	C112-	4200510	10µF 20% 16V
C64-	4010166	100nF -20+80% 50V	C113		
C65			C114	4200672	22µF 20% 16V
C66-	4000233	220pF 5% 50V	C115	4010157	10nF 10% 50V
C67			C118	4200510	10µF 20% 16V
C68	4000240	56pF 5% 50V	C122-	4000326	680pF 5% 50V
C73-	4010166	100nF -20+80% 50V	C124		
C74			C125	4000287	220nF -20+80% 25V
C75	4000241	100pF 5% 50V	C126	4010132	1nF 10% 50V
C77	4000241	100pF 5% 50V	C127	4010172	3.3nF 10% 50V
C79	4010157	10nF 10% 50V	C128	4000281	82pF 5% 50V
C80	4010166	100nF -20+80% 50V	C129-	4000241	100pF 5% 50V
C81	4000290	22nF 10% 50V	C132		
C82	4200403	100µF -20+50% 25V	C135	4200403	100µF -20+50% 25V
C92-	4000290	22nF 10% 50V			
C97					

L1	8020749	Coil 10µH
L2-	8020595	Coil 6.8µH 10%
L3		
L4	8020554	Coil 15µH 5%
L5	8020595	Coil 6.8µH 10%
L21	8020649	Coil 3.9µH 5%
L22	8020741	Coil 5.5MHz
L25	8020749	Coil 10µH
L35	8020916	Coil 47µH

X1	8090140	Crystal 7.15909MHz
X2	8090005	Crystal 8.8672MHz

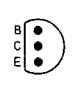
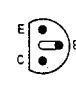
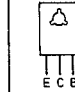
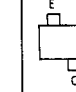
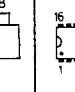
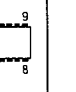
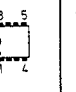

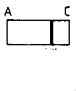
CP10	7500013	Contact pin
------	---------	-------------

P26	7220715	Plug 8/8 pole
P27	7220711	Plug 4/4 pole
P28	7220713	Plug 6/6 pole
P29	7220714	Plug 7/7 pole
P30	7220715	Plug 8/8 pole
P31	7220709	Plug 2/2 pole
P35	7220710	Plug 3/3 pole

3-19

LIST OF ELECTRICAL PARTS

Bang & Olufsen

17 	20 	32 	51 	101 	103 	111 	136 
250 							

Resistors not referred to are standard, see page 3-22

PCB 47, 8008053
Picture-in-Picture
(Accessories)

IC1	8341131	111	TDA 2579A
IC2	8341363	136	TDA 8443A
IC3	8341646	103	SDA 9086-3
IC4	8341726	136	TDA 4650
IC5	8341728	101	TDA 4661
IC6	8341442	136	SDA 9087
IC7	8341443	136	SDA 9088

TR1-	8320615	51	BC 848B
TR2			
TR3	8320616	51	BC 858B
TR4	8320497	20	BC 547B
TR5	8320626	17	BC 368
TR6	8320752	51	BC 817-40
TR9-	8320747	51	BC 848C
TR10			
TR11	8320616	51	BC 858B
TR12	8320615	51	BC 848B
TR13	8320943	32	D135-16

D1	8300677	250	ZPD4.7V 0.5W
D2-	8300482	250	LL 4148
D4			
D5	8300644	250	ZPD6.2V 0.5W
D6-	8300482	250	LL 4148
D19			
D20	8300563	250	ZPD5.1V 0.4W
D21-	8300562	250	ZPD5.6V 0.4W
D22			
D23-	8300482	250	LL 4148
D24			

R54	5021026	34.8k Ω	1% 1/8W
R64	5021151	1.5 Ω	1% 1/4W
R66	5020460	220 Ω	5% 1W
R68	5012074	0.47 Ω	5% 1/4W
R105	5370402	2.2k Ω	30% 0.3W
R110	5020480	1 Ω	5% 1W

C1	4200512	1 μ F	20% 50V	C21	4000287	220nF	-20+80% 25V
C2	4200508	22 μ F	20% 25V	C22-	4010166	100nF	-20+80% 50V
C3	4010166	100nF	-20+80% 50V	C27			
C4	4200616	6.8 μ F	20% 25V	C28-	4000234	47pF	5% 50V
C5-	4010166	100nF	-20+80% 50V	C29			
C7				C30	4000240	56pF	5% 50V
C8	4200952	47 μ F	-20+50% 25V	C31	4200544	22 μ F	20% 16V
C9	4100289	2.7nF	1% 63V	C32	4000233	220pF	5% 50V
C10	4200704	470 μ F	20% 25V	C33	4010166	100nF	-20+80% 50V
C11	4000234	47pF	5% 50V	C34	4010175	33nF	10% 50V
C14	4010177	22nF	-20+80% 50V	C35	4010166	100nF	-20+80% 50V
C16	4000239	33pF	5% 50V	C36	4010175	33nF	10% 50V
C17	4010166	100nF	-20+80% 50V	C37-	4010166	100nF	-20+80% 50V
C18	4010157	10nF	10% 50V	C38			
C19	4000290	22nF	10% 50V	C39	4000282	180pF	5% 50V
C20	4200524	10 μ F	20% 25V	C40	4000290	22nF	10% 50V



Bang & Olufsen

3-20

LIST OF ELECTRICAL PARTS

C41	4000283	270pF 5% 50V	C77	4340034	7.5-50pF
C42	4200512	1μF 20% 50V	C78	4000239	33pF 5% 50V
C43-	4010166	100nF -20+80% 50V	C79	4130236	330nF 20% 63V
C44			C80	4010209	47nF 10% 50V
C45-	4000233	220pF 5% 50V	C81	4010166	100nF -20+80% 50V
C46			C82-	4000290	22nF 10% 50V
C48-	4010166	100nF -20+80% 50V	C83		
C49			C84	4000345	1nF 5% 50V
C54	4000239	33pF 5% 50V	C85	4010157	10nF 10% 50V
C56-	4000286	470pF 5% 50V	C86	4200704	470μF 20% 25V
C57			C87	4010157	10nF 10% 50V
C58-	4010166	100nF -20+80% 50V	C88	4000275	15pF 5% 50V
C60			C89	4000229	150pF 5% 50V
C61	4200510	10μF 20% 16V	C90	4000280	68pF 5% 50V
C62	4200704	470μF 20% 25V	C91	4000229	150pF 5% 50V
C63	4200917	100μF -20+50% 40V	C92	4000275	15pF 5% 50V
C64	4000233	220pF 5% 50V	C93-	4010166	100nF -20+80% 50V
C65	4010157	10nF 10% 50V	C94		
C66	4000239	33pF 5% 50V	C95-	4000233	220pF 5% 50V
C67	4000284	330pF 5% 50V	C96		
C68-	4000345	1nF 5% 50V	C97	4000240	56pF 5% 50V
C69			C98-	4010220	100nF 10% 50V
C70	4000344	560pF 5% 50V	C99		
C71	4000233	220pF 5% 50V	C100-	4000241	100pF 5% 50V
C72	4130236	330nF 20% 63V	C101		
C73-	4000276	18pF 5% 50V	C102	4010157	10nF 10% 50V
C74			C103	4010166	100nF -20+80% 50V
C75	4340034	7.5-50pF	C104	4000290	22nF 10% 50V
C76	4000279	39pF 5% 50V	C105	4200511	100μF 20% 10V

L1	8020608	Coil 10μH 5%
L2	8020830	Coil 10μH
L3	8020916	Coil 47μH
L4	8020649	Coil 3.9μH 5%
L5	8020741	Coil 5.5MHz 2.6μH
L6	8020749	Coil 10μH

X1	8090140	Crystal 7.15909MHz
X2	8090005	Crystal 8.8672MHz

P107	7220717	Plug 10/10 pole
P108	7220712	Plug 5/5 pole

3-21

LIST OF ELECTRICAL PARTS

Bang & Olufsen

Resistors not referred to are standard, see page 3-22

Crossover network, LX 5000
8039096, right
8039093, left

R1	5020803	3.3Ω 5% 2W
R3	5020447	15Ω 5% 2W

C1	4200560	2.2μF 20% 23V
----	---------	---------------

L1	6850144	Coil 330μH
L2	6850142	Coil 150μH

P49	7210326	Plug 2/2 pole, right
P50	7210326	Plug 2/2 pole, left

Crossover network, LX 6000
8007992, right
8007919, left

R1	5021152	10Ω 5% 2W
R2	5021152	10Ω 5% 2W
R3	5020781	2.2Ω 5% 2W

C1	4200387	4.7μF 20% 23V
C2	4200336	6.8μF 20% 23V

L1	6850220	Coil 800μH
----	---------	------------

P49	7210326	Plug 2/2 pole, right
P50	7210326	Plug 2/2 pole, left

Crossover network, MX 6000
8007703

R1	5021152	10Ω 5% 2W
R2	5021152	10Ω 5% 2W
R3	5020781	2.2Ω 5% 2W

C1	4200336	6.8μF 20% 23V
C2	4200682	8.2μF 10% 35V

L1	6850205	Coil 560μH
----	---------	------------

P49	7210326	Plug 2/2 pole, right
P50	7210326	Plug 2/2 pole, left

Beolink 1000

For remote control Beolink 1000, see the service manual "MASTER CONTROL LINK", no. 3538711 page 1-15.

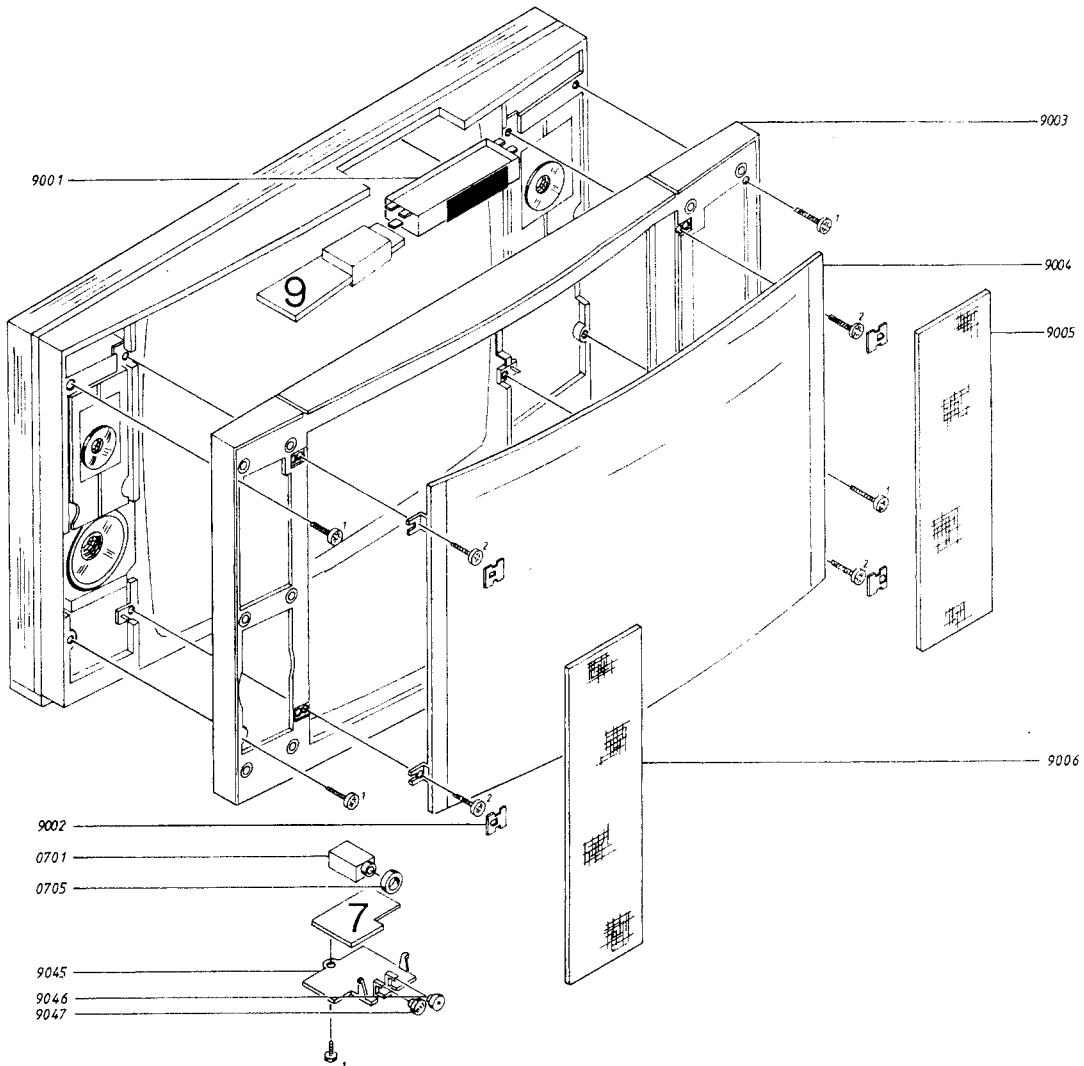
4-1

LIST OF MECHANICAL PARTS

Bang & Olufsen

LIST OF MECHANICAL PARTS

Front frame



Beovision LX 6000

9001	3131325	House f/IR		3451192	Panel, right, grey line
9002	3164570	Cap		3451187	Panel, left
9003	3414146	Front frame	9006	3451191	Panel, left, grey line
	3414215	Front frame, white line		3131324	Cap
	3414649	Front frame, grey line	9045	2776032	Button, mains switch
9004	3451295	Contrast screen	9046	2776033	Button, P-step
	3950043	Rubber string	9047		
9005	3451188	Panel, right			

Beovision LX 5000

9001	3131325	House f/IR		3451194	Panel, right, grey line
9002	3164570	Cap		3451189	Panel, left
9003	3414136	Front frame	9006	3451193	Panel, left, grey line
	3414135	Front frame, white line		3131324	Cap
	3414549	Front frame, grey line	9045	2776032	Button, mains switch
9004	3451293	Contrast screen	9046	2776033	Button, P-step
	3950044	Rubber string	9047		
9005	3451190	Panel, right			

07Module	8007609	PCB 7, Headphone	0705	2938282	Bushing
0701	2710742	Jack plug			



Bang & Olufsen

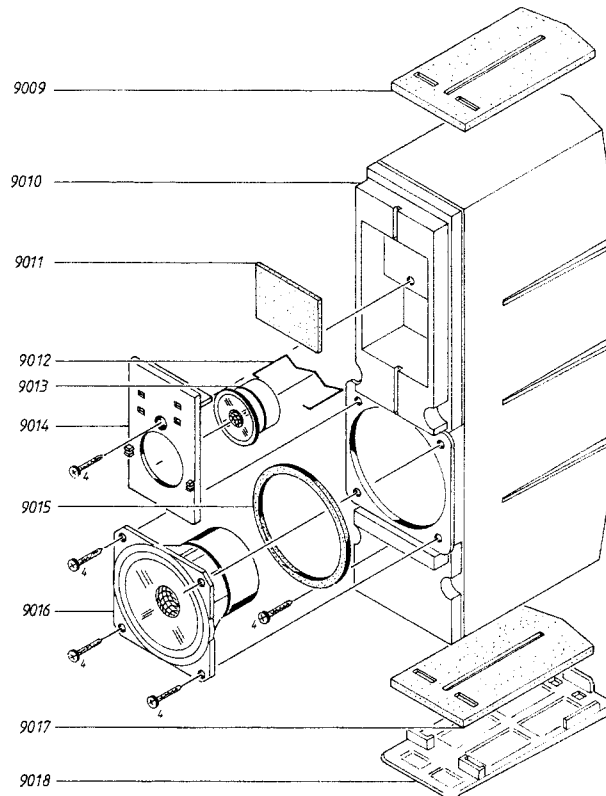
4-2 LIST OF MECHANICAL PARTS

09Module	8007789	PCB 9, IR Transceiver	3302468	Shield, bottom
	3302467	Shield, top	3375070	Linse f/IR
			3152809	Holder f/diode

Survey of screws

1	2019018	Screw 4 x 16mm
2	2021013	Screw 5 x 20mm

Loudspeaker cabinet



Beovision LX 6000

9009	3152614	Pressure pad	9015	3340094	Gasket
9010	3430373	Loudspeaker cabinet, right	9016	8480214	Bass speaker
	3430374	Loudspeaker cabinet, left	9017	3152614	Pressure pad
9011	3907051	Pressure pad	9018	3035054	Plastic foot
9012	2819207	Spring		8007992	Crossover network, right
9013	8480230	Treble speaker		8007919	Crossover network, left
9014	3152859	Loudspeaker suspension			

Beovision LX 5000

9009	3152615	Pressure pad	9014	8039096	Crossover network, right
9010	3430376	Loudspeaker cabinet, right		8039093	Crossover network, left
	3430377	Loudspeaker cabinet, left	9015	3340047	Gasket
9011	3907051	Pressure pad	9016	8480164	Bass speaker
9012	2819207	Spring	9017	3152615	Pressure pad
9013	8480204	Treble speaker	9018	3035054	Plastic foot

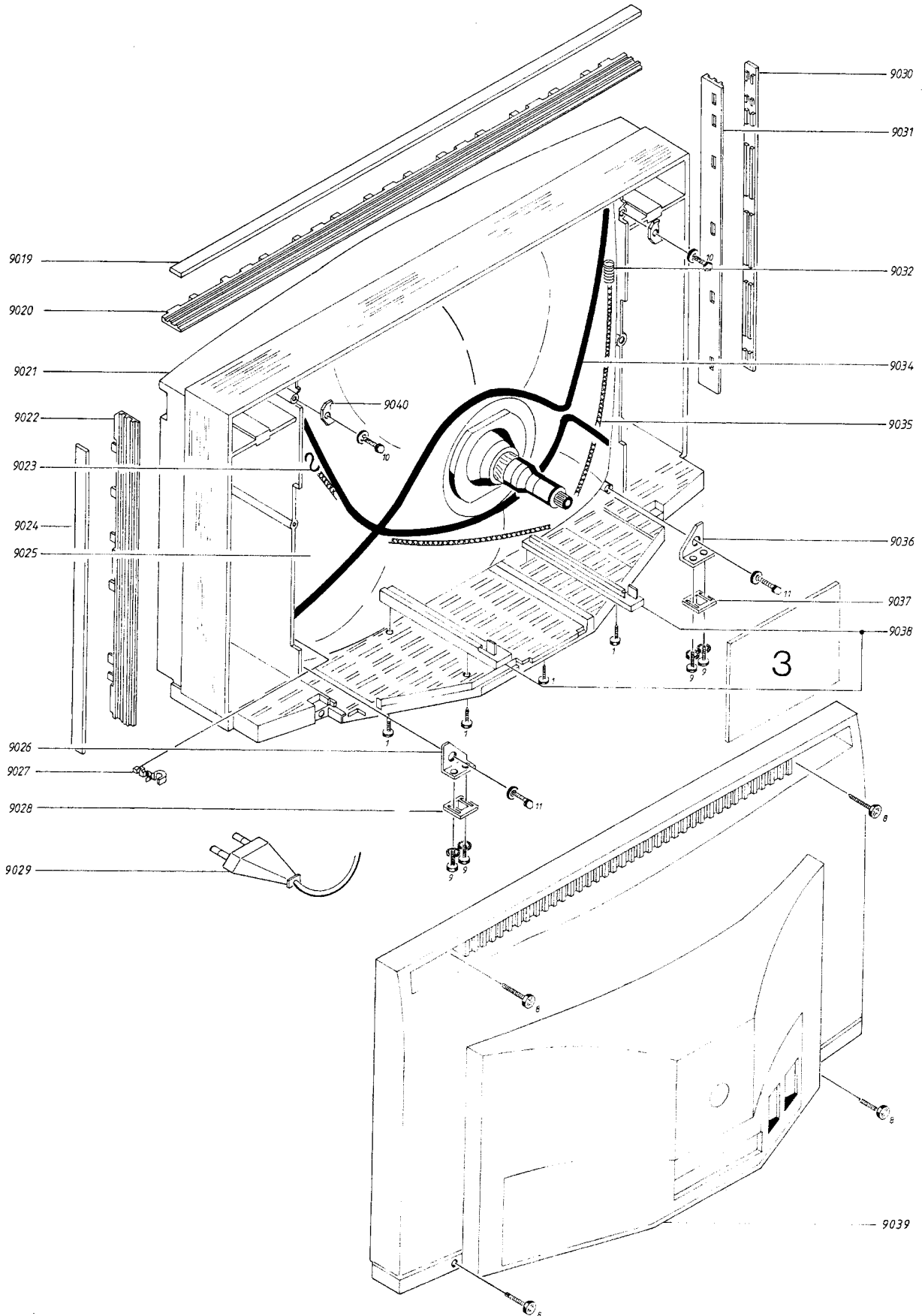
Survey of screws

4	2015133	Screw 3.5 x 16mm
---	---------	------------------

4-3 LIST OF MECHANICAL PARTS

Bang & Olufsen

Cabinet



Bang & Olufsen

4-4

LIST OF MECHANICAL PARTS

Cabinet Beovision LX 6000

9019	2569322	Profile, top, rosewood		2569258	Profile, side, grey line
	2569324	Profile, top	9025	8200074	Picture tube 28"
	2569326	Profile, top, white line	9026	3152446	Holder
			9027	3152778	Holder
	2569328	Profile, top, grey line	9028	2576200	Spacer
			9029	6275993	Mains lead w/filter
9020	3152415	Holder, top	9030	2569232	Profile, side, rosewood
	3152750	Holder, top, white line		2569220	Profile, side
				2569243	Profile, side, white line
	3152768	Holder, top, grey line		2569258	Profile, side, grey line
9021	3414603	Cabinet, rosewood			
	3414325	Cabinet, white			
	3414329	Cabinet, grey	9031	3152438	Holder, left
	3414326	Cabinet, black		3152751	Holder, left, white line
	3414149	Cabinet, white line			
	3414449	Cabinet, grey line		3152766	Holder, left, grey line
	2620076	Felt washer			
	3946110	Moulding set	9032	2810189	Spring
9022	3152539	Holder, right	9034	8022222	Degaussing coil
	3152752	Holder, right, white line	9035	7510041	Ground current
			9036	3152432	Holder
	3152767	Holder, right, grey line	9037	2576200	Spacer
			9038	3152803	Set of rails
9023	2510119	Clamp	9039	3414336	Rear cover
9024	2569232	Profile, side, rosewood		3414845	Rear cover, white line
	2569220	Profile, side	9040	2576170	Spacer
	2569243	Profile, side, white line			

03Module 8008099 PCB 3, Video Output

Cabinet Beovision LX 5000

9019	2569323	Profile, top, rosewood		2569248	Profile, side, grey line
	2569325	Profile, top	9025	8200075	Picture tube 25"
	2569327	Profile, top, white line	9026	3152446	Holder
			9027	3152778	Holder
	2569329	Profile, top, grey line	9028	2576200	Spacer
			9029	6275993	Mains lead w/filter
9020	3152451	Holder, top	9030	2569233	Profile, side, rosewood
	3152753	Holder, top, white line		2569221	Profile, side
				2569242	Profile, side, white line
	3152771	Holder, top, grey line		2569248	Profile, side, grey line
9021	3414303	Cabinet, rosewood			
	3414425	Cabinet, white			
	3414429	Cabinet, grey	9031	3152452	Holder, left
	3414426	Cabinet, black		3152754	Holder, left, white line
	3414139	Cabinet, white line			
	3414349	Cabinet, grey line		3152769	Holder, left, grey line
	2620076	Felt washer			
	3946109	Moulding set	9032	2810189	Spring
9022	3152538	Holder, right	9034	8022249	Degaussing coil
	3152755	Holder, right, white line	9035	7510040	Ground current
			9036	3152432	Holder
	3152770	Holder, right, grey line	9037	2576200	Spacer
			9038	3152803	Set of rails
9023	2510119	Clamp	9039	3414436	Rear cover
9024	2569233	Profile, side, rosewood		3414945	Rear cover, white line
	2569221	Profile, side	9040	2576170	Spacer
	2569242	Profile, side, white line			

03Module 8008099 PCB 3, Video Output

Survey of screws

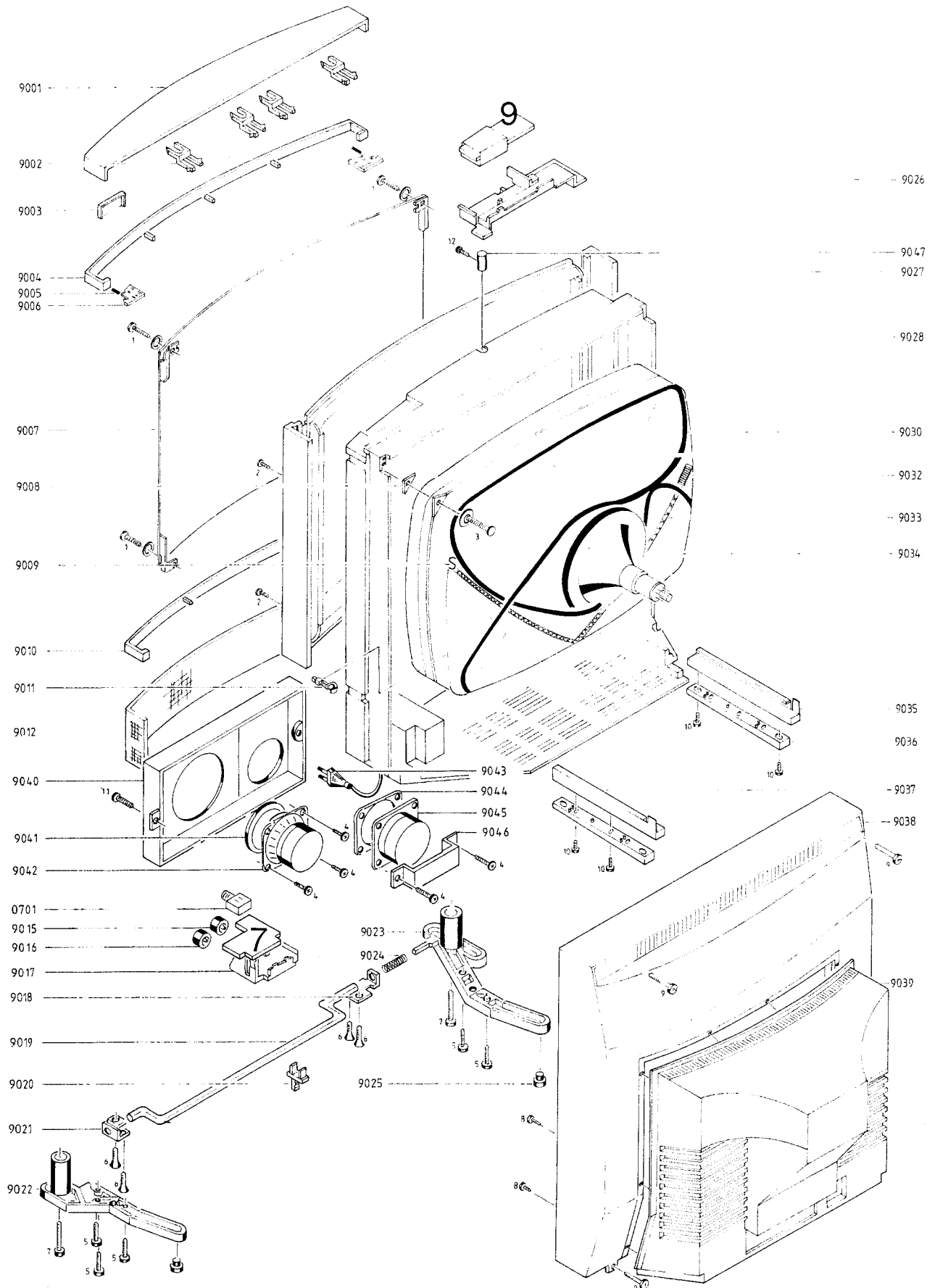
1	2019018	Screw 4 x 16mm
8	2021012	Screw 5 x 25mm
9	2044042	Screw 5 x 20mm w/washer
10	2044048	Screw 5 x 25mm w/washer
11	2044047	Screw 5 x 15mm w/washer

4-5

LIST OF MECHANICAL PARTS

Bang & Olufsen

Beovision MX 6000



Bang & Olufsen

4-6

LIST OF MECHANICAL PARTS

Beovision MX 6000

9001	3451008	Lid	9030	8022222	Degaussing coil
9002	2391070	Hinge	9032	2810189	Tension spring
9003	3322092	Window	9033	7510041	Ground current
9004	3450701	Cap	9034	8200074	Picture tube
9006	3164687	Holder	9035	3152677	Guide rail, left
9007	3451039	Contrast screen	9036	2576242	Spacer f/rail
9008	2640053	Spacer	9037	3152678	Guide rail, right
9009	2510119	Clamp	9038	3414244	Back cover, red
9010	3451186	Cap		3414245	Back cover, white
9011	3152778	Holder		3414246	Back cover, black
9012	3320173	Loudspeaker panel		3414248	Back cover, blue
9013	8480164	Loudspeaker		3414249	Back cover, grey
9014	3340074	Gasket	9039	3430472	Back cover, small
9015	2776033	Press button-STEP	9040	3440121	Loudspeaker panel, right
9016	2776032	Press button - ●		3440120	Loudspeaker panel, left
9017	3152797	Holder		3340099	Rubber string
9018	3031175	Fitting f/tilting foot, left		3340097	Gasket
9019	3103238	Tilting foot	9041	8480214	Loudspeaker, bass
9020	3152566	Holder f/tilting foot	9042	6275993	Mains lead w/filter
9021	3031129	Fitting f/tilting foot, right	9043	6275989	Mains lead AUS
9022	3031157	Fitting f/bottom, right	9044	3340098	Gasket
9023	3031234	Fitting f/bottom, left	9045	8480230	Loudspeaker, treble
9024	2819237	Spring	9046	3152817	Holder
9025	3035032	Rubber foot	9047	2576248	Spacer
9026	3131329	Holder		8007703	Crossover network
9027	3320159	Front frame w/rubber string		3332041	Damping material, small
	3950029	Rubber string		3332042	Damping material, large
9028	3320162	Chassis w/foot			
	3946083	Tightening, side			
	3946084	Tightening, top/bottom			
	3103287	Foot			

03Modul 8008099 PCB3, Video Output

07Modul 8007609 PCB 7, Headphone
0701 7210742 Socket headphone 3.5mm

09Modul 8007789 PCB 9, IR Transceiver
3302467 Shield, top
3302468 Shield, bottom
3375070 Linse f/IR
3152809 Holder f/diode

Survey of screws

1	2015129	Screw 3.5 x 12mm w/washer
2	2013123	Screw 3 x 10mm
3	2044048	Screw 5 x 25mm w/washer
4	2015142	Screw 3.5 x 10mm
5	2019018	Screw 4 x 16mm
6	2019015	Screw 4 x 14mm
7	2021003	Screw 5 x 35mm
8	2019017	Screw 4 x 10mm
9	2021010	Screw 5 x 25/11mm
10	2019018	Screw 4 x 16mm
11	2019021	Screw 4 x 12mm
12	2013182	Screw 3 x 20mm

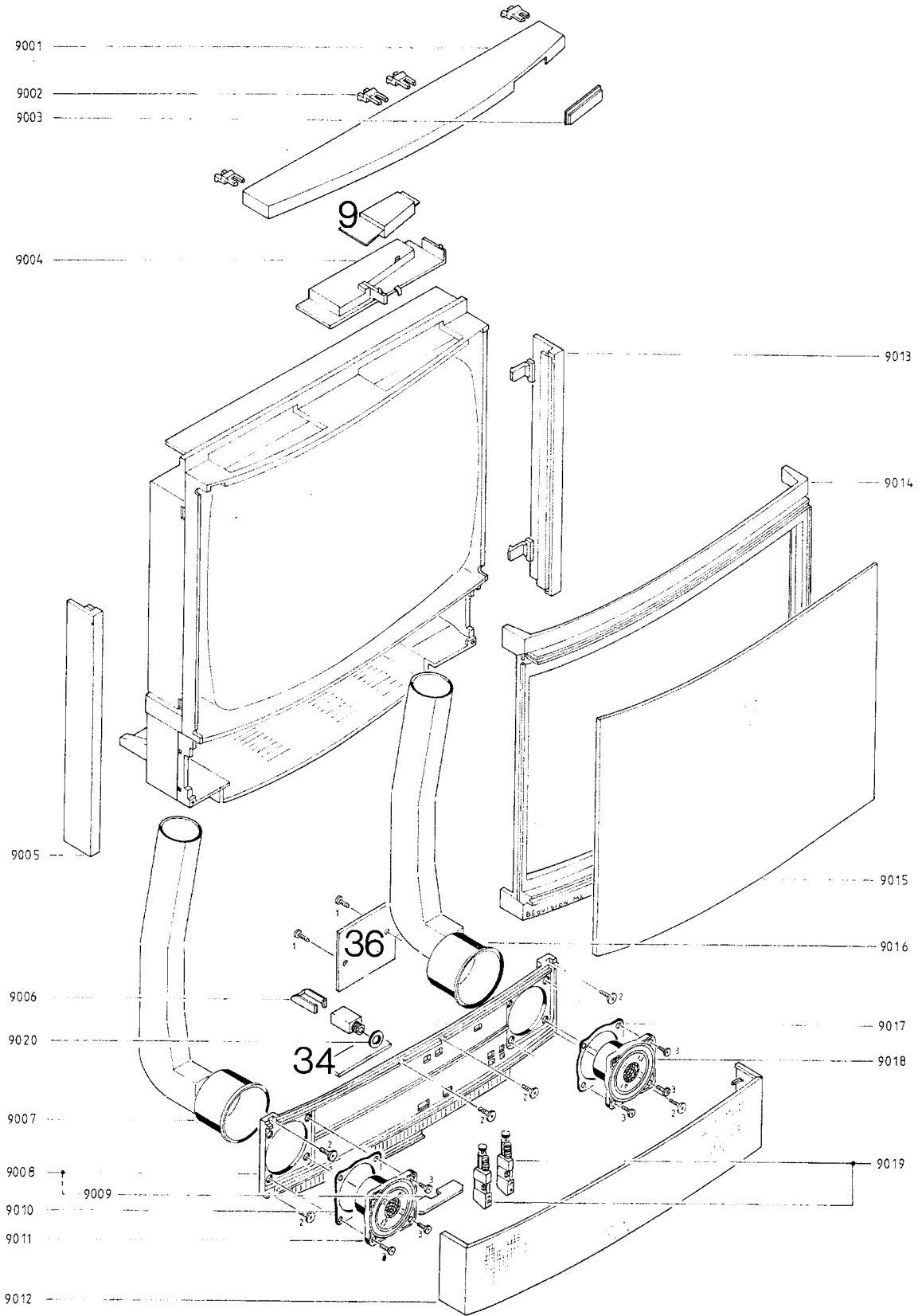
4-7

LIST OF MECHANICAL PARTS

Bang & Olufsen

Front frame

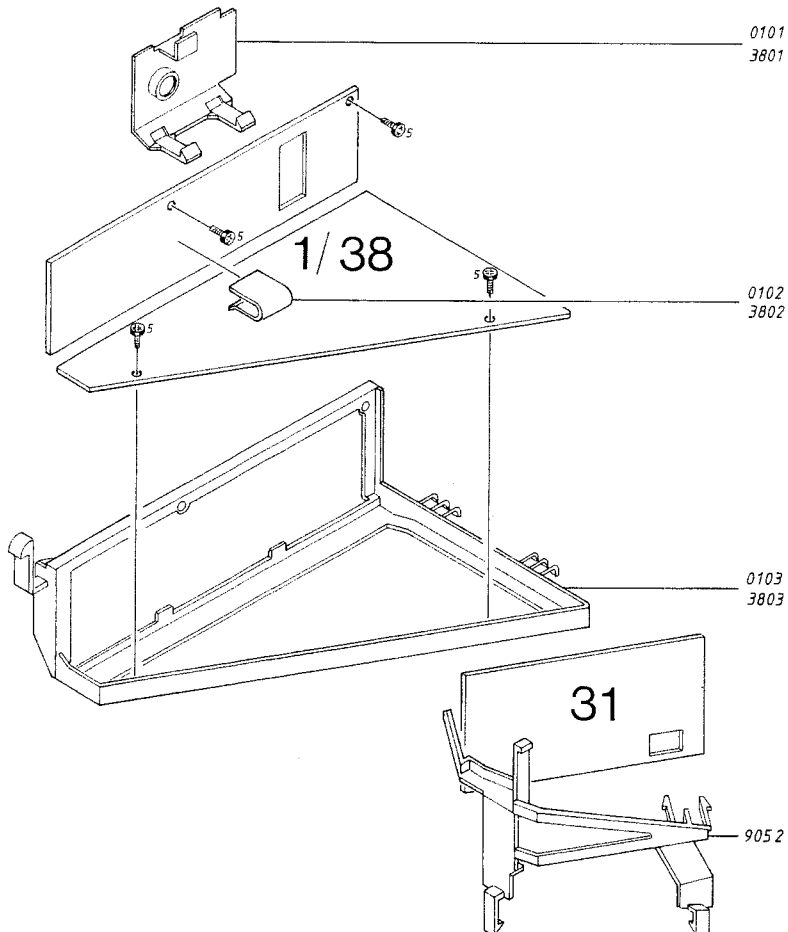
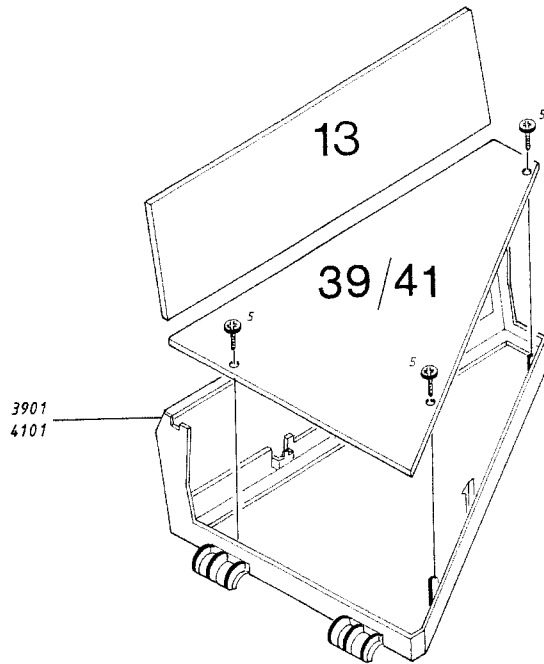
Beovision MX 4000



9
LIST OF MECHANICAL PARTS

Electrical chassis

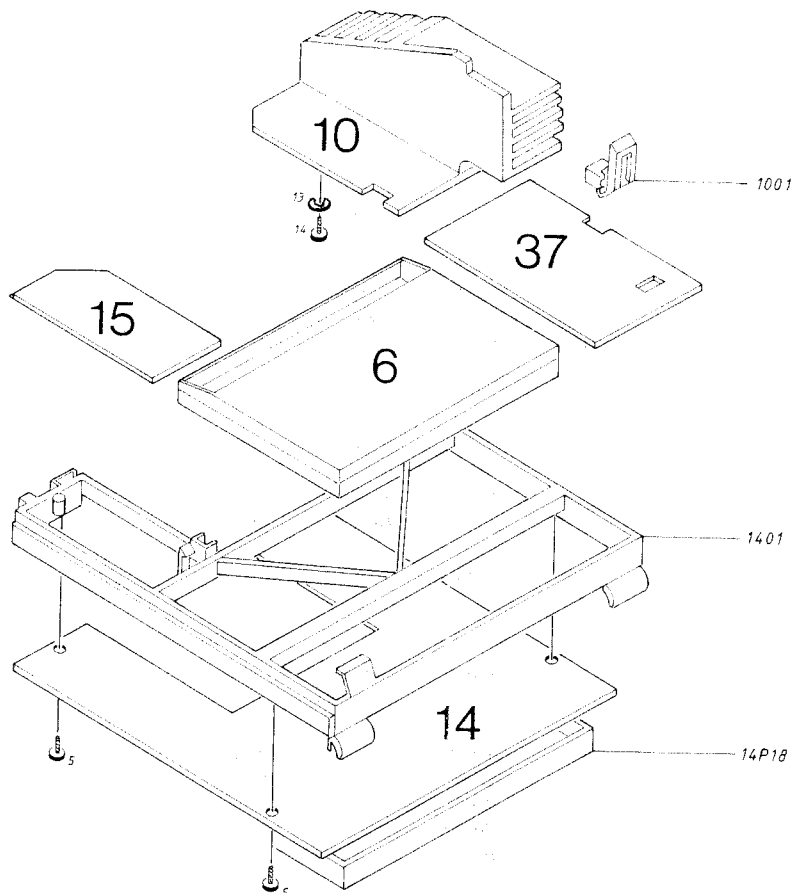
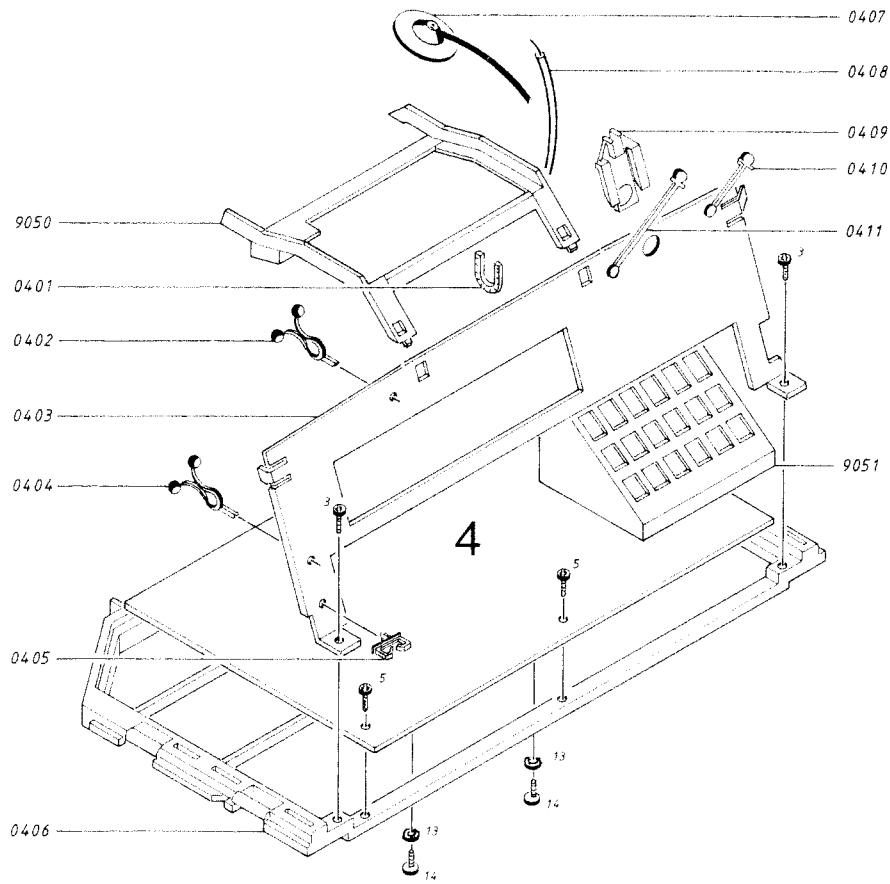
Bang & Olufsen



4-9

4-9 LIST OF MECHANICAL PARTS

Electrical chassis



Bang & Olufsen

4-10 LIST OF MECHANICAL PARTS

Electrical chassis

9050	3152795	Holder
9051	3300132	Shield
9052	3152676	Holder f/nicam

01Module	8007449	PCB 1, Tuner & IF B/G/L
	2515063	Wire holder
0101	3451045	Front plate
0102	3358267	Heat sink
0103	3152673	Chassis

04Module	8007519	PCB 4, Power Supply & Deflection
	2816154	Spring clip f/TR33
	2816195	Spring clip f/IC4-TR1-D34-D36
0401	3950046	Wire holder
0402	2515063	Wire holder
0403	3152793	Shield
0404	2515063	Wire holder
0405	3152871	Wire holder
0406	3152792	Chassis
0407	6270474	EHT cable
0408	6270473	Focus cable
0409	3152683	Wire holder
0410	3152633	Service strap, short
0411	3152634	Service strap, long

06Module	8008133	PCB 6, Microcomputer 64K
	8008134	PCB 6, Microcomputer 64K, AUS

10Module	8007569	PCB 10, Sound Output
	2622448	Mica washer
	2816195	Spring clip
1001	3152294	Wire holder

13Module	8007579	PCB 13, Sync Processing
----------	---------	-------------------------

14Module	8007479	PCB 14, Double AV Switch
1401	3152794	Chassis
14P18	3168760	DIN/Scart panel

15Module	8007739	PCB 15, St By Stabilization
----------	---------	-----------------------------

31Module	8007809	PCB 31, Nicam B/G/I
----------	---------	---------------------

37Module	8007509	PCB 37, Teletext
----------	---------	------------------

38Module	8007779	PCB 38, Tuner & IF Pal I
	2515063	Wire holder
3801	3451045	Front plate
3802	3358267	Heat sink
3803	3152673	Chassis

39Module	8008023	PCB 39, Pal Decoder
	2515063	Wire holder
3901	3152672	Chassis

41Module	8008062	PCB 41, Pal/Secam/NTSC Decoder
	2515063	Wire holder
4101	3152672	Chassis

Survey of screws

3	2013123	Screw 3 x 10mm
5	2013144	Screw 3 x 8mm
13	2625002	Washer
14	2038097	Screw 3 x 6mm

4-11

LIST OF MECHANICAL PARTS

Bang & Olufsen**Survey of wire bundles**

6276465	Main wire bundle
6276464	Main wire bundle w/shielded wires
0933522	Wire bundle f/LX 6000
0933523	Wire bundle f/LX 5000
0933550	Wire bundle f/MX 6000
	Consist of:
	3P89 - 4P14
	3P90 - 39/41P30
	4P22 - Deflection
	7P86 - 15P83
	9P85 - 15P82
0933551	Wire bundle f/MX 4000
	Consist of:
	3P89 - 4P14
	3P90 - 39/41P30
	4P22 - 36P92
	9P85 - 15P82
	15P83 - 34P86
	34P87 - 36P88
	36P93 - Deflection

Survey of wires

6276476	6P71 - 14P60
6276485	6P72 - 14P61
6276483	6P73 - 14P62
6276481	6P74 - 15P78
6276482	6P75 - 15P77
6276127	31P801 - 38P2
6276020	31P802 - 38P7
6276037	31P803 - 38P3
6276479	31P804 - 38P1
6276484	39/41P29 - 13P37
6276568	39/41P35 - 13P38
	Beovision LX 5000/6000:
6276502	15P49 - Loudspeaker, right
6276501	15P50 - Loudspeaker, left
	Beovision MX 6000:
6276515	15P49 - Loudspeaker, right
6276516	15P50 - Loudspeaker, left
	Beovision MX 4000:
6276271	15P49 - Loudspeaker, right
6276514	15P50 - Loudspeaker, left

Bang & Olufsen

4-12 LIST OF MECHANICAL PARTS

Owner's Manuals

3501281	Danish
3501282	Swedish
3501283	Finnish
3501284	English
3501285	German
3501286	Dutch
3501287	French
3501288	Italian
3501289	Spanish

Packing

	Beovision LX 5000:
3397593	Foam packing
3917105	Foam foil
3391936	Carton f/Beolink 1000
3392083	Outer carton
	Beovision LX 6000:
3397568	Foam packing
3917105	Foam foil
3391936	Carton f/Beolink 1000
3392082	Outer carton
	Beovision MX 6000:
3397637	Foam packing
3917105	Foam foil
3391936	Carton f/Beolink 1000
3392015	Outer carton
	Beovision MX 4000:
3397620	Foam packing (4 pcs)
3397557	Foam packing (1 pcs)
3917104	Foam foil
3391936	Carton f/Beolink 1000
3391983	Outer carton

Accessories

See technical specifications, page 1-2.

Beolink 1000

For remote control Beolink 1000, see the service manual "MASTER CONTROL LINK", no. 3538711 page 1-15.

4-13

LIST OF MECHANICAL PARTS

TB 4108 - LX 5000/6000

Bang & Olufsen

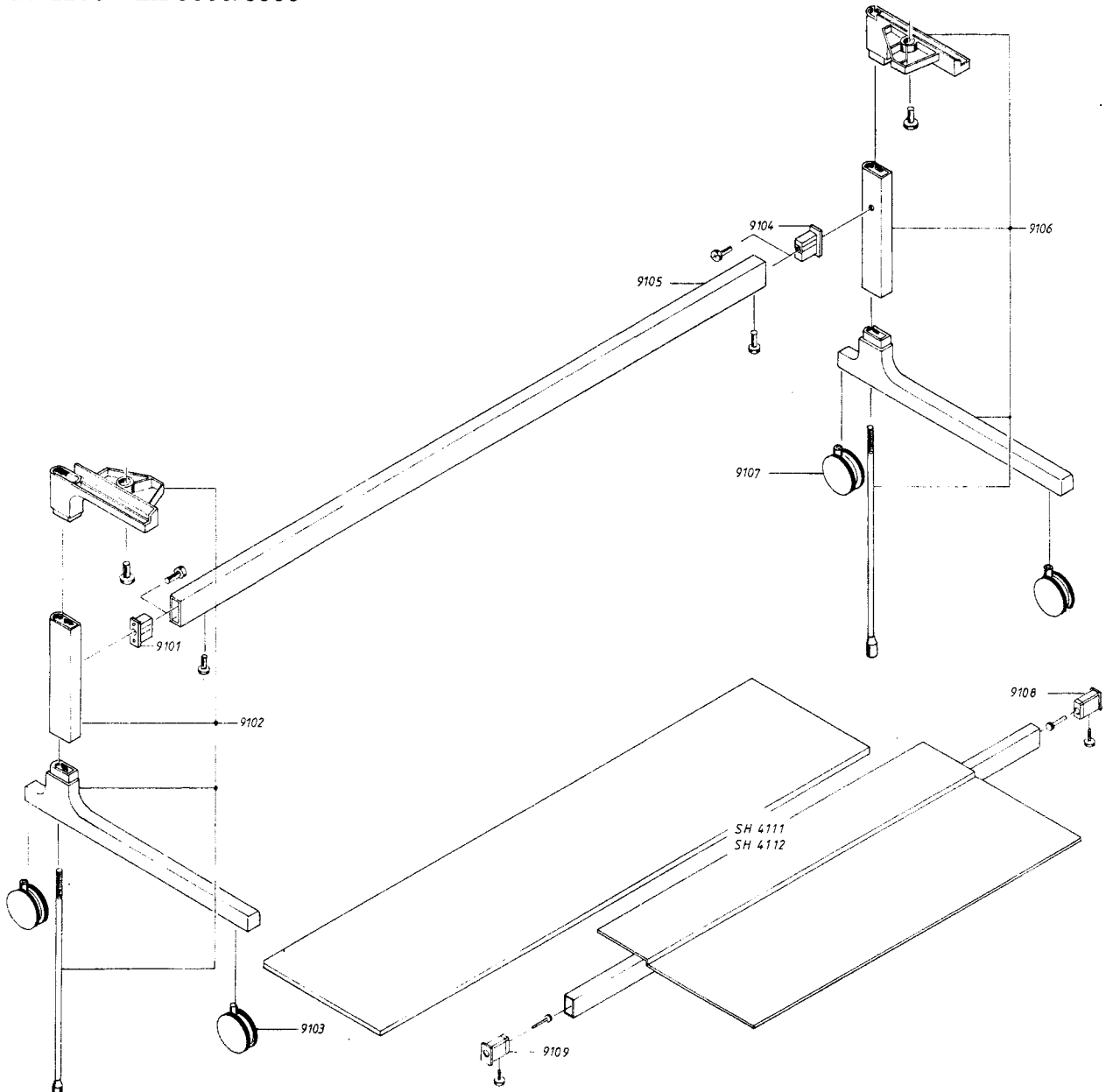


Table 1410865, white
1410866, black

9101	3152531	Holder		1410465	Traverse
9102	3103307	Post, left, white			f/LX 5000, white
	3103301	Post, left, black		1410466	Traverse
9103	3032018	Wheel, white			f/LX 5000, black
	3032019	Wheel, black	9106	3103308	Post, right, white
9104	3152531	Holder		3103300	Post, right, black
9105	1410365	Traverse	9107	3032018	Wheel, white
		f/LX 6000, white		3032019	Wheel, black
	1410366	Traverse			
		f/LX 6000, black			

Parts not shown

3390273	Bag with parts	3391963	Outer carton
3397564	Foam packing		

**SH 4111
SH 4112**

1411113	Shelf - LX 6000, metal grey
1411213	Shelf - LX 5000, metal grey

9108	3152748	Holder, right
9109	3152749	Holder, left

Parts not shown

3390409	Bag with parts	3397713	Foam packing 28"
3504411	Assembling guide	3392138	Outer carton, 28"
3397712	Foam packing 25"/28"	3392139	Outer carton, 25"

Bang & Olufsen

4-14 LIST OF MECHANICAL PARTS

TB 4110 – MX 4000

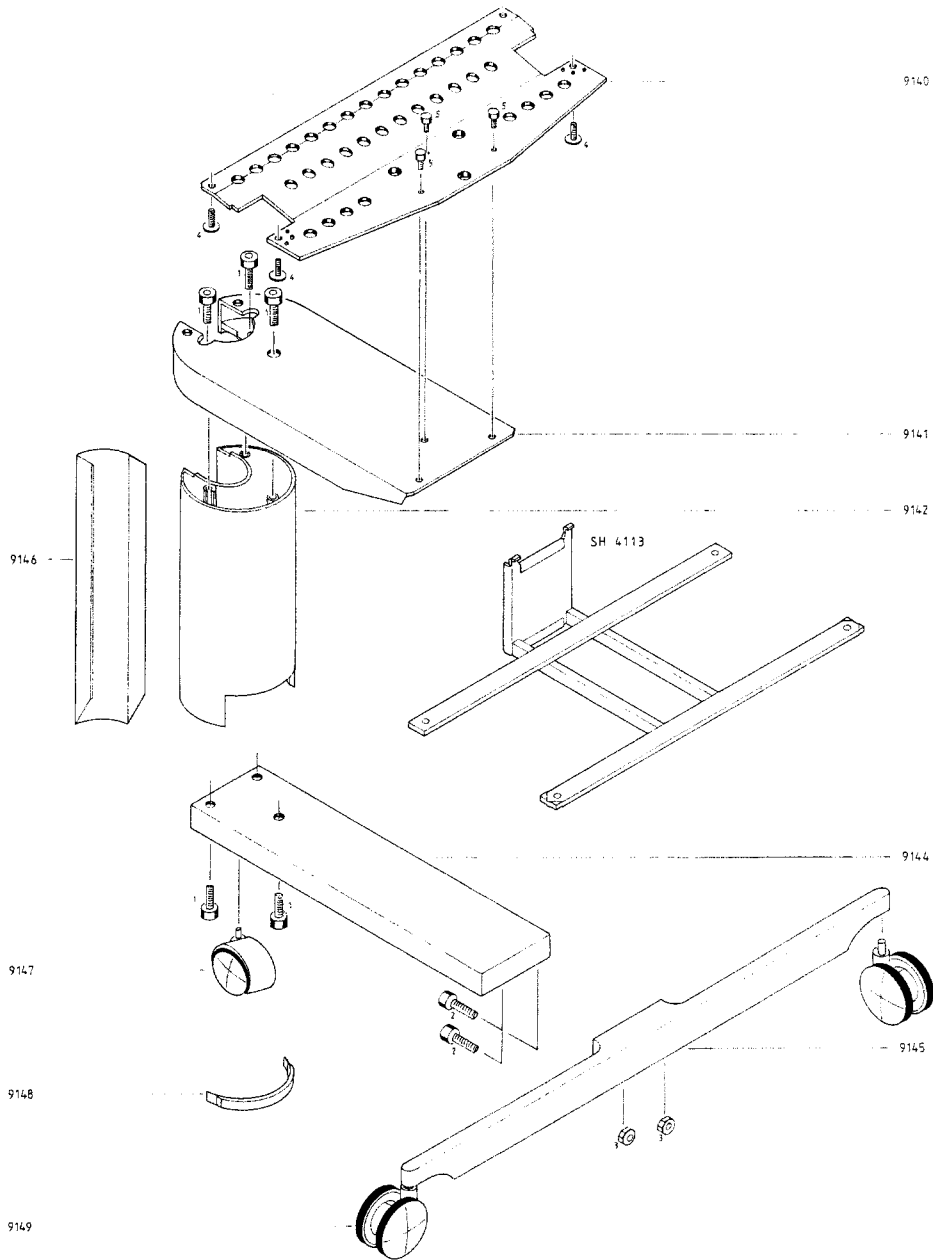


Table 1411066, black
1411069, silver grey

9140	3124122	Mounting plate	9146	3164857	Cover f/intermediate
9141	3458756	Frame, top	9147	3032022	Wheel
9142	2569241	Frame, intermediate piece	9148	3456187	Cover f/bottom
9144	3454699	Frame, bottom	9149	3032019	Wheel
9145	3451079	Profile			

Survey of screws

1	2046017	Screw 6 x 16mm	4	2044033	Screw 5 x 12mm
2	2044060	Screw 5 x 25mm	5	2044057	Screw 5 x 8mm
3	2380141	Nut			

Parts not shown

3390418	Bag w/parts
3504415	Assembling guide
3397748	Foam packing
3392169	Outer carton

SH 4113

1411366	Shelf for VX, black
3397723	Foam packing
3392149	Outer carton

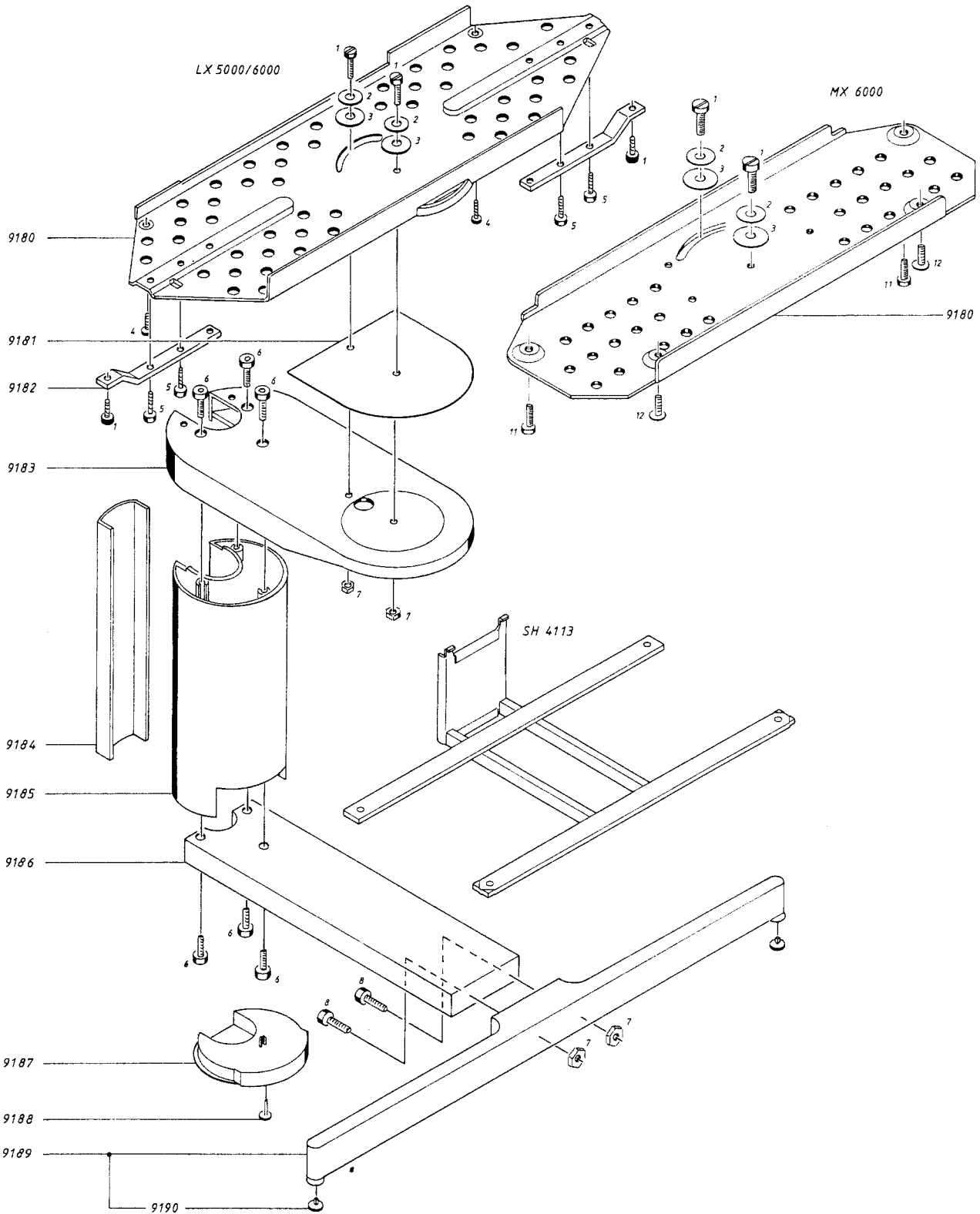
4-15

LIST OF MECHANICAL PARTS

ST 4117 - LX 5000/6000

ST 4109 - MX 6000

Bang & Olufsen



Bang & Olufsen

4-16

LIST OF MECHANICAL PARTS

Stand: 1411766, black	9180	3124124	Mounting plate f/LX 5000/6000
		3124117	Mounting plate f/ MX 6000
1411769, silver grey	9181	3915044	Gasket
	9182	3456185	Spacer
Stand: 1410966, black	9183	3458737	Frame, top
	9184	3164831	Cover
1410969, silver grey	9185	2569231	Frame intermediate, piece
	9186	3454619	Frame, bottom, black
		3454714	Frame, bottom, silver grey
	9187	3103298	Cover f/bottom
	9188	2992113	Lock pin
	9189	3451052	Profile, black
		3451164	Profile, silver grey
	9190	3035063	Rubber foot

Survey of screws, nuts and washers

1	2046024	Screw 6 x 16mm
2	2622413	Washer
3	2622414	Washer
4	2021006	Screw 5 x 20mm
5	2046023	Screw 6 x 8mm
6	2046017	Screw 6 x 16mm
7	2380130	Nut M6
8	2046031	Screw 6 x 25mm
11	2044055	Screw 5 x 16mm
12	2021011	Screw 5 x 15mm

Parts not shown

3390449	Bag w/parts f/LX 5000/6000
3390415	Bag w/parts f/MX 6000
3504444	Assembling guide f/LX 5000/6000
3504414	Assembling guide f/MX 6000
3397726	Foam packing
3392152	Outer carton

SH 4113

1411366	Shelf for VX, black
3397723	Foam packing
3392149	Outer carton

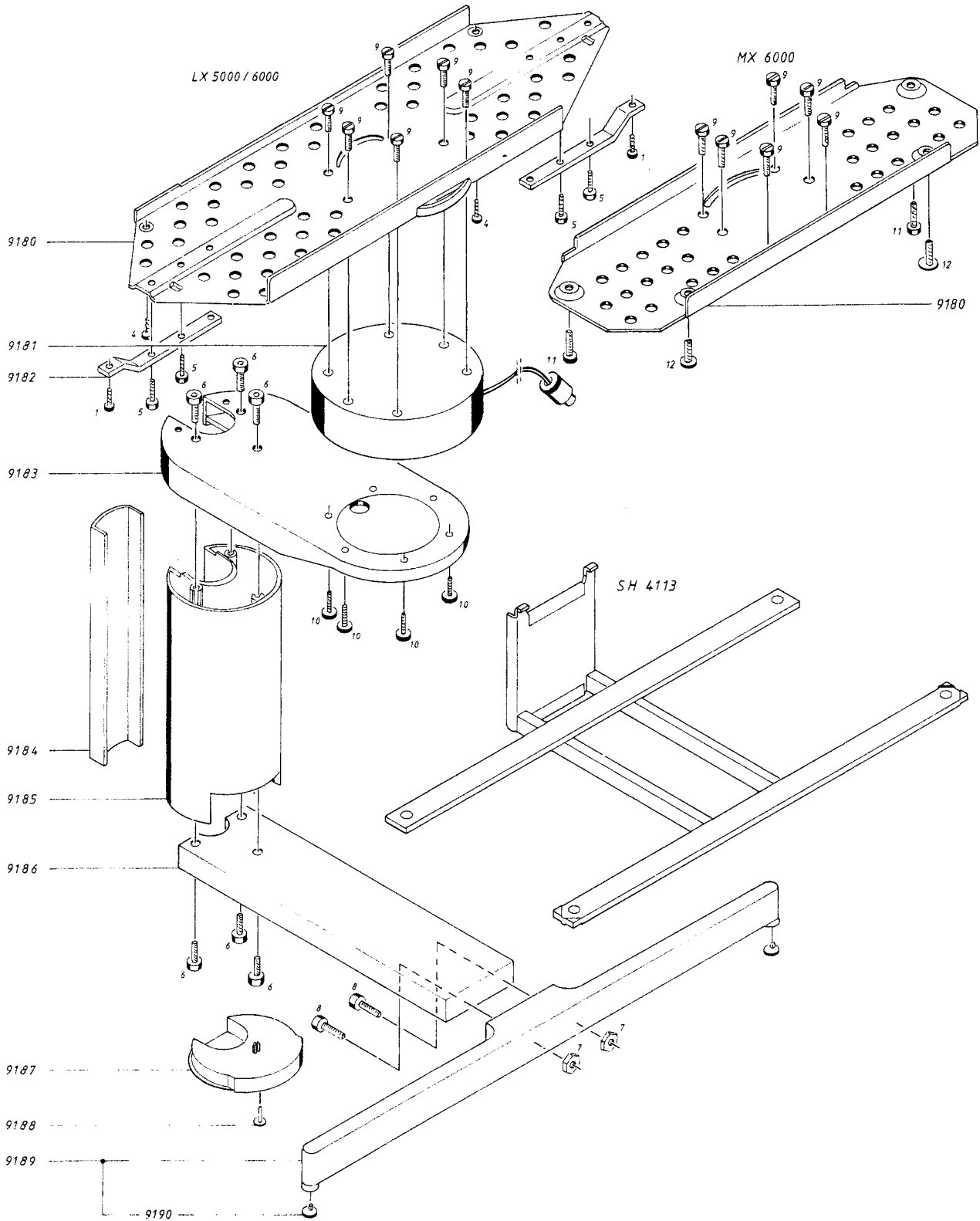
4-17

LIST OF MECHANICAL PARTS

MS 4106 - LX 5000/6000

MS 4107 - MX 6000

Bang & Olufsen



Bang & Olufsen

4-18
LIST OF MECHANICAL PARTS

Stand: 1410666, black	9180	3124124	Mounting plate f/LX 5000/6000
		3124117	Mounting plate f/MX 6000
1410669, silver grey	9181	8053314	Revolving unit
	9182	3456185	Spacer
Stand: 1410766, black	9183	3458737	Frame, top
	9184	3164831	Cover
1410769, silver grey	9185	2569231	Frame intermediate, piece
	9186	3454619	Frame, bottom, black
		3454714	Frame, bottom, silver grey
	9187	3103298	Cover f/bottom
	9188	2992113	Lock pin
	9189	3451052	Profile, black
		3451164	Profile, silver grey
	9190	3035063	Rubber foot

Survey of screws and nuts

1	2046024	Screw 6 x 16mm
4	2021006	Screw 5 x 20mm
5	2046023	Screw 6 x 8mm
6	2046017	Screw 6 x 16mm
7	2380130	Nut M6
8	2046031	Screw 6 x 25mm
9	2044035	Screw 5 x 10mm
10	2044058	Screw 5 x 10mm
11	2044055	Screw 5 x 16mm
12	2021011	Screw 5 x 15mm

Parts not shown

3390407	Bag w/parts f/LX 5000/6000
3390412	Bag w/parts f/MX 6000
3504412	Assembling guide f/LX 5000/6000
3504418	Assembling guide f/MX 6000
3397726	Foam packing
3392152	Outer carton

SH 4113

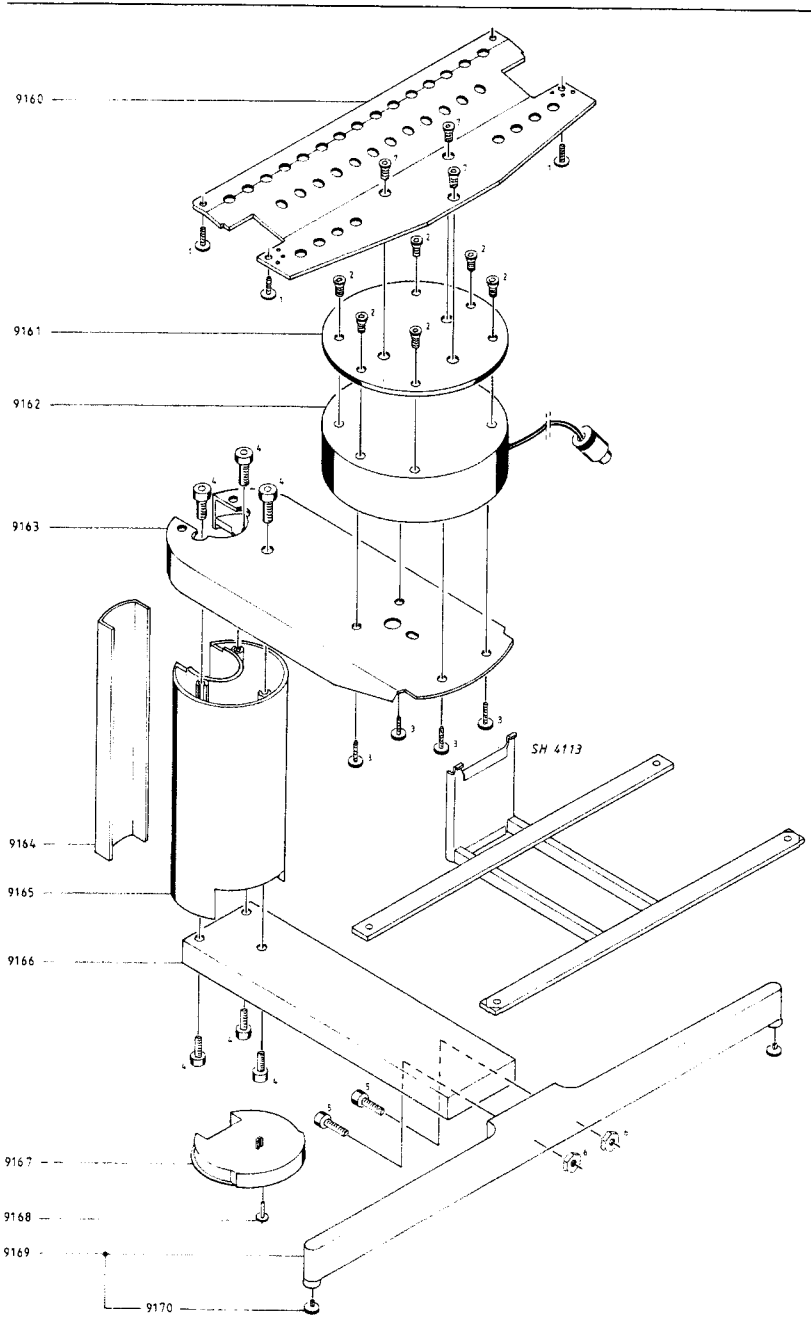
1411366	Shelf for VX, black
3397723	Foam packing
3392149	Outer carton

4-19

LIST OF MECHANICAL PARTS

MS 4116 - MX 4000

Bang & Olufsen



Motorized Stand:
1411666, black
1411669, silver grey

9160	3124122	Mounting plate	9166	3454735	Frame, bottom
9161	2570045	Gasket	9167	3103315	Cover f/bottom
9162	8053314	Revolving unit	9168	2992113	Lock pin
9163	3458829	Frame, top	9169	3451036	Profile
9164	3164831	Cover f/intermediate	9170	3035057	Rubber foot
9165	2569065	Frame, intermediate piece			

Survey of screws

1	2044033	Screw 5 x 12mm	5	2044060	Screw 5 x 25mm
2	2044032	Screw 5 x 10mm	6	2380141	Nut M5
3	2044058	Screw 5 x 10mm	7	2044057	Screw 5 x 8mm
4	2046017	Screw 6 x 16mm			

Parts not shown

3390444	Bag w/parts	3397748	Foam packing
3504445	Assembling guide	3392169	Outer carton

SH 4113

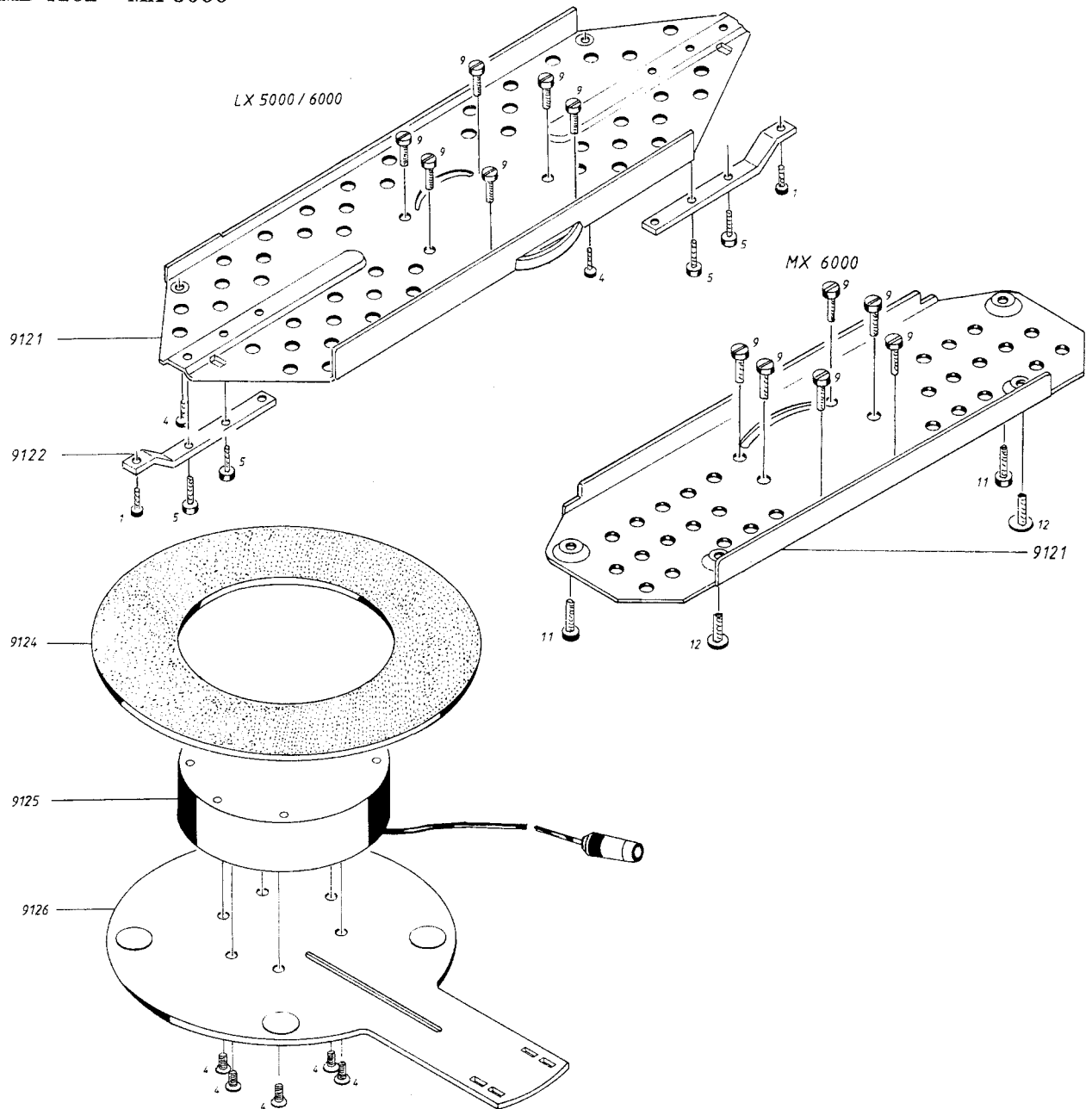
1411366	Shelf for VX, black	3397723	Foam packing
		3392149	Outer carton

Bang & Olufsen

4-20 LIST OF MECHANICAL PARTS

MB 4101 – LX 5000/6000

MB 4102 – MX 6000



Motorized Base:

1410111, aluminium

1410211, aluminium

9121	3124124	Mounting plate f/LX 5000/6000
	3124117	Mounting plate f/MX 6000
9122	3456185	Spacer
9124	3458735	Topplate
9125	8053314	Revolving unit
9126	2752026	Bottom plate
	3103285	Plastic foot

Survey of screws

1	2044035	Screw 5 x 10mm	9	2044035	Screw 5 x 10mm
4	2044032	Screw 5 x 10mm	11	2044055	Screw 5 x 16mm
5	2044055	Screw 5 x 16mm	12	2021011	Screw 5 x 15mm

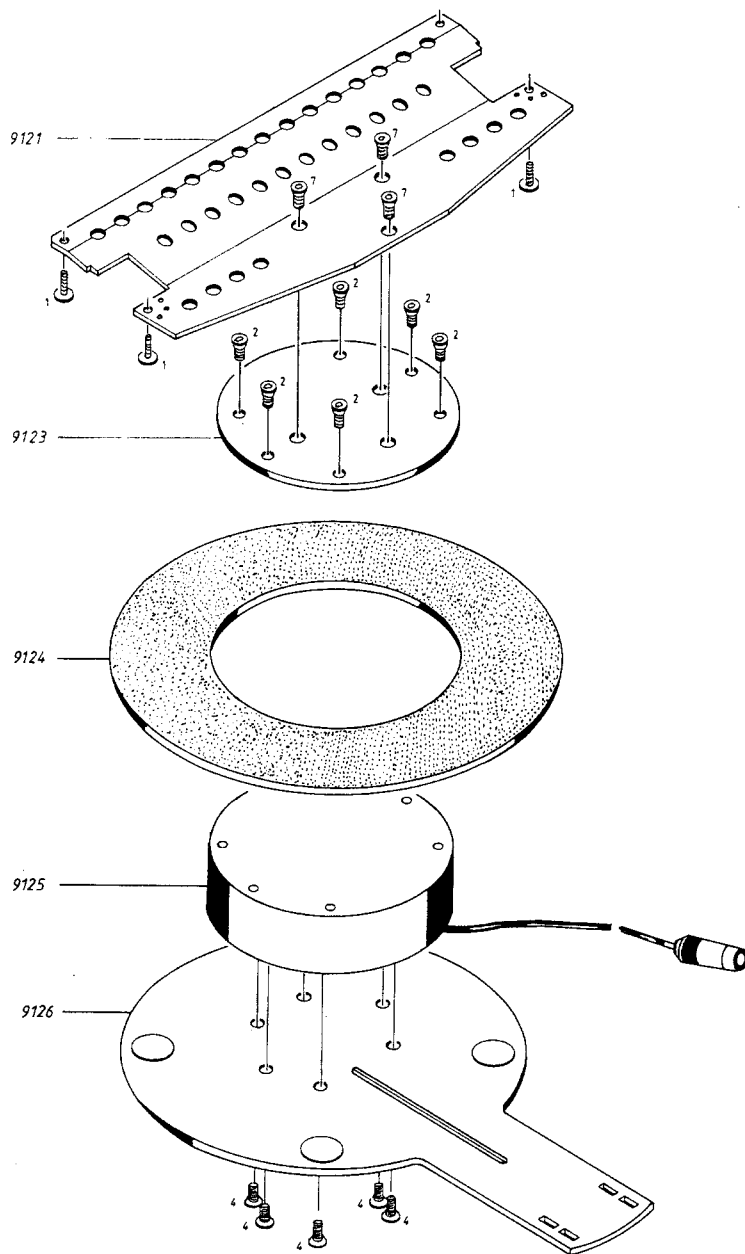
Parts not shown

3390404	Bag w/parts f/LX 5000/6000
3390405	Bag w/parts f/MX 6000
3504413	Assembling guide f/LX 5000/6000
3504419	Assembling guide f/MX 6000
3397724	Foam packing f/LX 5000/6000
3397725	Foam packing f/MX 6000
3392150	Outer carton f/LX 5000/6000
3392151	Outer carton f/ MX 6000

4-21

LIST OF MECHANICAL PARTS

MB 4105 - MX 4000

Bang & Olufsen

Motorized Base:
1410511, aluminium

9121	3124122	Mounting plate
9123	2570045	Gasket
9124	3458735	Topplate
9125	8053314	Revolving unit
9126	2752026	Bottom plate
	3103285	Plastic foot

Survey of screws

1	2044033	Screw 5 x 12mm
2	2044032	Screw 5 x 10mm
4	2044058	Screw 5 x 10mm
7	2044057	Screw 5 x 8mm

Parts not shown

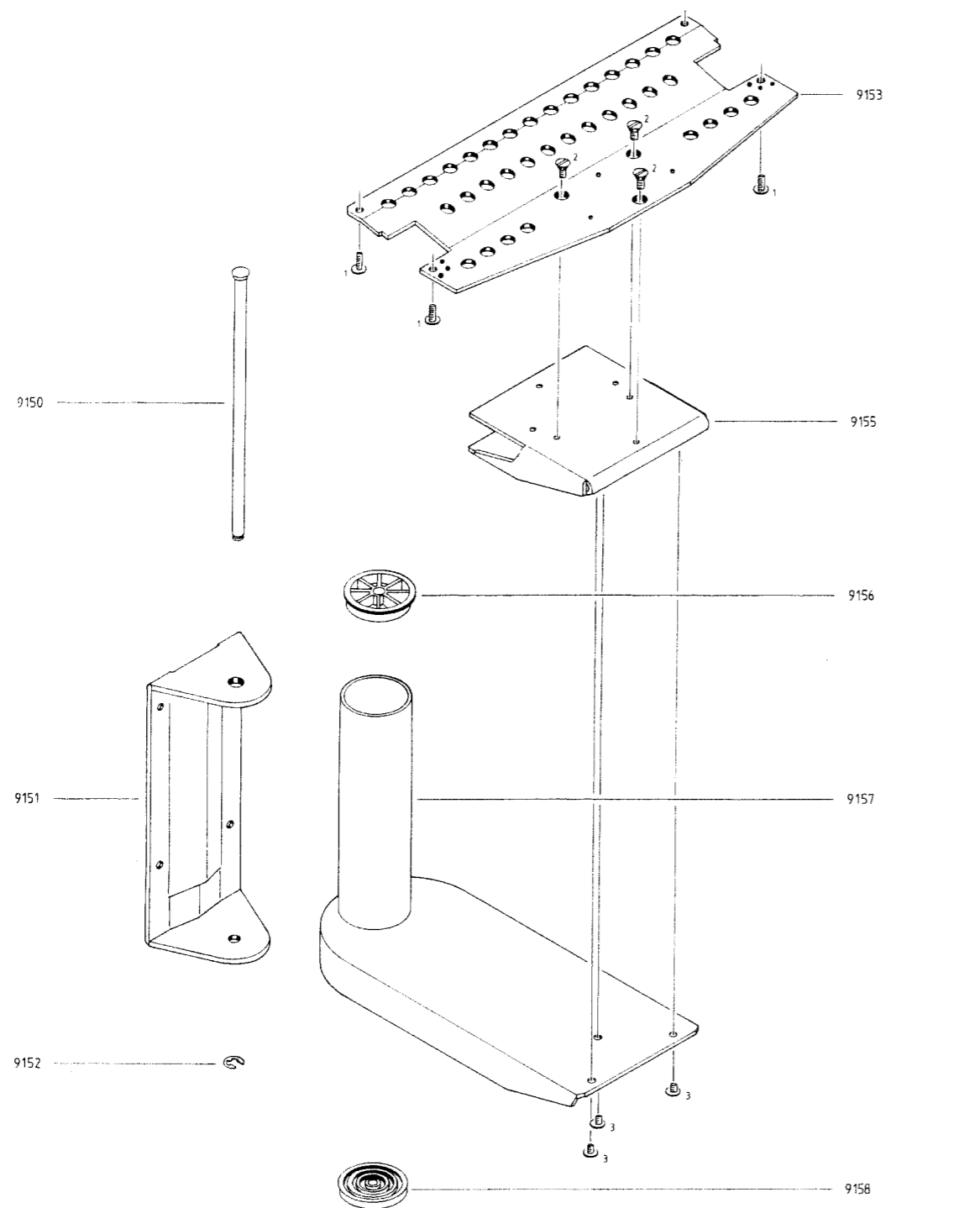
3390406	Bag w/parts
3504420	Assembling guide
3397725	Foam packing
3392151	Outer carton

Bang & Olufsen

WB 4114 - MX 4000

4-22

LIST OF MECHANICAL PARTS



Wall Bracket: 1411466, black

9150	2831073	Shaft	9156	2905129	Slide bearing, top
9151	3031315	Fittings	9157	3151283	Holder
9152	2390108	Snap ring	9158	2905130	Slide bearing, bottom
9153	3124122	Mounting plate			
9155	3451096	Front plate			

Survey of screws

1	2044033	Screw 5 x 12mm
2	2044057	Screw 5 x 8mm
3	2044032	Screw 5 x 10mm

Parts not shown

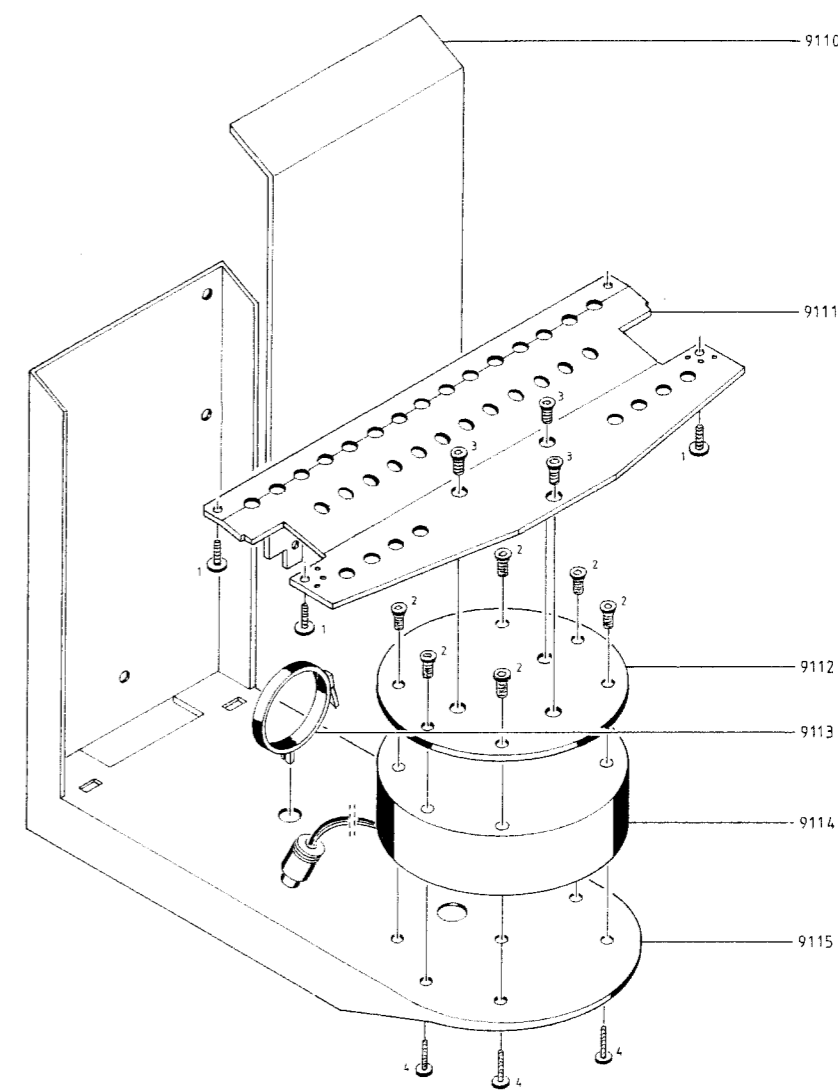
3390416	Bag w/parts
3504430	Assembling guide
3397749	Foam packing
3392173	Outer carton

4-22

LIST OF MECHANICAL PARTS

MW 4115 - MX 4000

4-22



Motorized Wall Bracket: 1411566, black

9110	3162370	Cover
9111	3124122	Mounting plate
9112	2570045	Gasket
9113	3152746	Wire holder
9114	8053314	Revolving unit
9115	3458844	Holder

Survey of screws

1	2044033	Screw 5 x 12mm
2	2044032	Screw 5 x 10mm
3	2044057	Screw 5 x 8 mm
4	2044058	Screw 5 x 10 mm

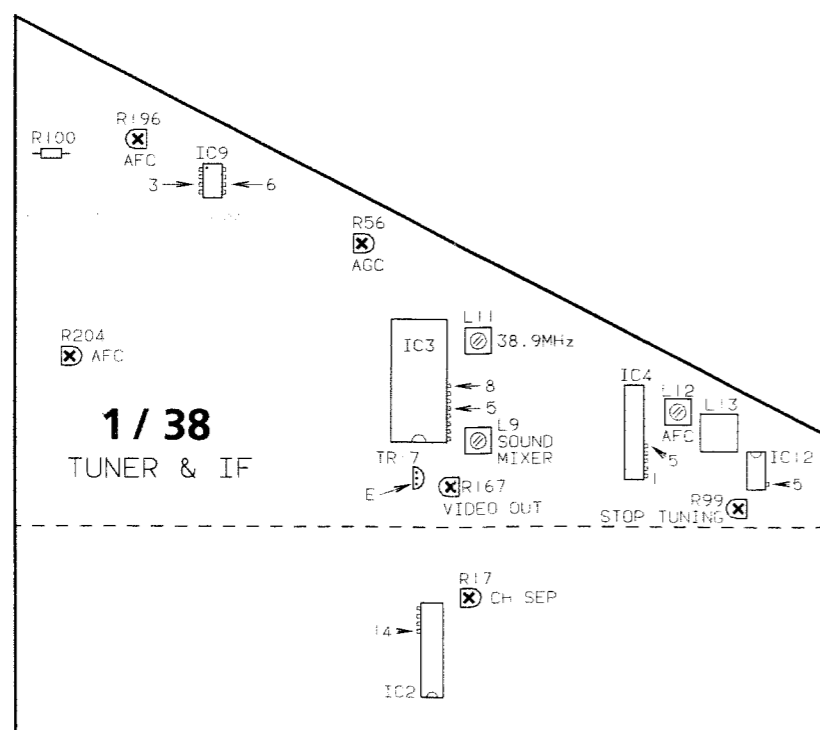
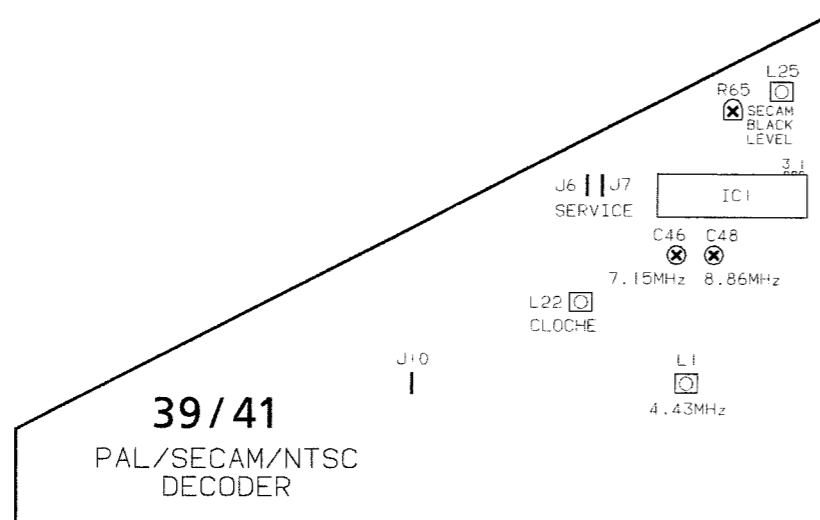
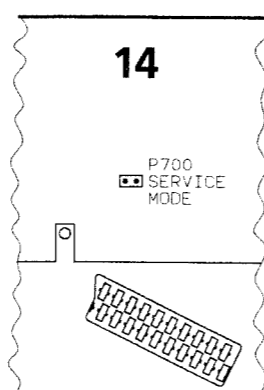
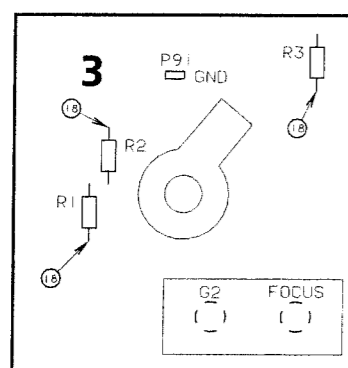
Parts not shown

3390460	Bag w/parts
3504493	Assembling guide
3397880	Foam packing

5-1

5-1
ADJUSTMENTS

ADJUSTMENTS



5-1

ADJUSTMENTS, ENGLISH

SERVICE ADJUSTMENTS WITH
BEOLINK 1000

Service mode

Bring the TV set into SERVICE MODE:

- Remove the rear panel.
- Press **TV**.
- Short-circuit the SERVICE MODE plug, P700, on PCB14 briefly.

SERVICE MODE gives access to making the following service adjustments:

(For other options available in service mode, please see repair tips).

Picture adjustments:

Display	Adjustment range
Rdr Red drive	0-63
Gdr Green drive	0-63
Rcu Red cut-off balance	0-63
Gcu Green cut-off balance	0-63
BRI BRILLiance preset	0-7
COL COLOUR preset	0-7

Geometrical adjustments:

Display	Adjustment range
Hfq Horizontal frequency	0-63
Hph Horizontal phase	0-63
Ham Horizontal amplitude	0-63
Vam Vertical amplitude	0-63
Vsc Vertical S-correction	0-63
Vsh Vertical shift (centring)	0-63
Vli Vertical linearity	0-63
EWc EW corner	0-63
EWp EW parabola	0-63
EWt EW tilt	0-63

Reset

Set the brilliance, colour saturation and contrast to nominal values:

- BRILLIANCE 32 **PICTURE** **▲** **▼**
- COLOUR 32 **PICTURE** **▲** **▼**
- CONTRAST 44 **PICTURE** **▲** **▼**

Store the values in the TV set, **PICTURE** **STORE** **STORE**, such that they may be recalled by pressing **RESET** or **SHIFT** **MUTE** Beolink 1000 MK III see page 5-12.

OPERATION IN SERVICE MODE

- ◀** **▶** Step in menu
- <** **>** or
- ▼** **▲** Changing of value
- STOP** Out of service mode

When you go out of SERVICE MODE, the selected values are stored. User adjustment of sound and picture is possible with Beolink 1000 in SERVICE MODE.

A standard colour test pattern is used for the following adjustments.

Preset

Preset adjustment (reference level) of brilliance and colour saturation.

- Set the brilliance and colour saturation to nominal values, **RESET** or **SHIFT** **MUTE** Beolink 1000 MK III.
- Bring the TV set into SERVICE MODE.
- Adjust the brilliance (BRI) until the picture has the proper brilliance (typically 5).
- Adjust the colour saturation (COL) to the proper colour saturation (typically 4).

Bang & Olufsen

5-2 ADJUSTMENTS, ENGLISH

- Cut-off balance**
- Set the brilliance to the nominal value, **RESET** or **SHIFT** **MUTE** Beolink 1000 MK III.
 - Set the colour saturation to '0'.
 - Bring the TV set into SERVICE MODE.
 - Adjust the red and green cut-off balance (Rcu) and (Gcu) until the dark fields in the test pattern are colourless.
- Drive**
- Set the brilliance to the nominal value, **RESET** or **SHIFT** **MUTE** Beolink 1000 MK III.
 - Set the colour saturation to '0'.
 - Bring the TV set into SERVICE MODE.
 - Adjust the red and green drive (Rdr) and (Gdr) to the proper white level.
- HORIZONTAL DEFLECTION**
- Horizontal frequency**
- Short-circuit pin 5 of 13IC1 to ground.
 - Select Hfq in SERVICE MODE.
 - Adjust the horizontal frequency to the slowest possible picture roll.
 - Remove the short circuit.
- East/West parabola**
- Select EWp in SERVICE MODE.
 - Adjust to correct geometry at the sides.
- East/West tilt**
- Select EWt in SERVICE MODE.
 - Adjust to correct geometry (vertical centring is affected).
- East/West corner**
- Select EWc in SERVICE MODE.
 - Adjust to correct geometry in the corners.
- Horizontal amplitude**
- Select Ham in SERVICE MODE.
 - Adjust to correct amplitude.
- Horizontal centring/'phase'**
- Set the BRILLIANCE to the maximum value.
 - Select Ham in SERVICE MODE and adjust to minimum width.
 - Select Hph and centre the picture such that it is within the scanning period.
 - Select Ham and adjust to correct width.
 - Centre the picture optimally by means of 3S1.
 - Select Hph and readjust.
 - Press **RESET** or **SHIFT** **MUTE** (Beolink 1000 MK III) to adjust the BRILLIANCE to its nominal value.
- VERTICAL DEFLECTION**
- Vertical amplitude**
- Select Vam in SERVICE MODE.
 - Adjust to correct amplitude.
- Vertical linearity**
- Select Vli in SERVICE MODE.
 - Adjust to correct linearity.
- Vertical S-correction**
- Select Vsc in SERVICE MODE.
 - Adjust to correct geometry (East/West corner is affected).
- Vertical centring**
- Select Vsh in SERVICE MODE.
 - Adjust to correct centring (East/West tilt is affected).
- Repeat the adjustment procedure if required.

5-3

ADJUSTMENTS, ENGLISH

Bang & Olufsen**ADJUSTMENT GUIDE**

A standard colour test pattern must be connected when making the following adjustments unless otherwise specified.
Service adjustments with the remote control terminal must have been made in advance.

**Module 39/41 PAL/SECAM/
NTSC decoder
Focus**

- Set the brilliance and colour saturation to their nominal values, **RESET** or **SHIFT** **MUTE** Beolink 1000 MK III.
- Set the contrast to the maximum value.
- Adjust to optimum focusing as viewed approx. 10 cm from the edge of the screen by means of the focus potentiometer on module 3.

4.43 MHz chroma trap

- Connect a PAL test pattern (colour bar).
- Connect an oscilloscope to 39/41J10 (coordinate 2C).
- Adjust 39/41L1 (coordinate 1C) to obtain the minimum 4.43 MHz residue in the signal.

PLL ref. osc

- Connect a PAL test pattern (colour bar).
- Short-circuit 39/41J6 and 39/41J7 (coordinate 2B).
- Adjust 39/41C48 (coordinate 1B) to obtain the minimum colour roll in the colour bar.

If a PAL/NTSC B/G/M IF is installed in the TV set, 41C46 has to be adjusted, too.

- Adjust 41C46 (coordinate 1B) in the same way as 41C48. Only an NTSC M test pattern has to be connected to the TV set.

Cloche filter

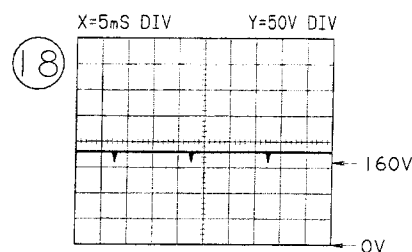
- Connect a SECAM test pattern (colour bar).
- Adjust 41L22 (coordinate 2C) until the optimum colour graduations in the colour bar are achieved.

SECAM black level

- Connect a SECAM test pattern with black content.
- Connect an oscilloscope to pin 1 of 41IC1.
- Adjust 41R65 (coordinate 1A) until the DC level of the signal has the same DC level as blanking (black level).
- Connect an oscilloscope to pin 3 of 41IC1.
- Adjust 41L25 (coordinate 1A) until the DC level of the signal has the same DC level as blanking (black level).
- Repeat the adjustment.

Cut-off (G2)

- Set light to nominal value, **RESET** or **SHIFT** **MUTE** (Beolink 1000 MK III).
- Press **PICTURE** **MUTE**.
- Locate by means of an oscilloscope the test point on 3R1, 3R2 or 3R3 (oscilloscope photo No. 18) which has the highest test pulse voltage.
- Adjust the G2 potentiometer (PCB3) until the test pulse voltage is 160 V_{DC} (absolute maximum level).
- Press **PICTURE** **MUTE** upon completion of the adjustment.



Bang & Olufsen

5-4 ADJUSTMENTS, ENGLISH

- Alternative Cut-off Adjustment** To get precise adjustment the procedure using oscilloscope, mentioned above, should be followed.
- Set the brilliance to the nominal value, **RESET** or **SHIFT MUTE** Beolink 1000 MK III.
 - Press **PICTURE MUTE** and cover 9R17 (LDR).
 - Use a voltmeter ($R_i > 1M\Omega$) for measuring the voltage drop across 3R1, 3R2 and 3R3.
 - Adjust by means of the G2 potentiometer (module 3) until there is a voltage of 2V across that resistor, 3R1, 3R2 or 3R3, which has the smallest voltage drop.
 - Press **PICTURE MUTE** after completing the adjustment.
- Module 1/38 Tuner & IF AFC** To be adjusted only if 1/38IC4 is replaced.
- Short-circuit 1/38R100 (coordinate 5F).
 - Short-circuit 1/38L13 (coordinate 3A).
 - Connect a DC voltmeter to pin 5 of 1/38IC4 (coordinate 3B) and adjust 1/38L12 (coordinate 3B) until 6V is measured.
 - Turn 1/38R204 (coordinate 3F) fully anticlockwise.
 - Connect a DC voltmeter between pin 3 and pin 6 of 1/38IC9 (coordinate 4E) and adjust 1/38R196 (coordinate 5E) until 0.6V is measured.
 - Connect a DC voltmeter to pin 3 of 1/38IC9 (coordinate 4E) and adjust 1/38R204 (coordinate 3F) until 6.3V is measured.
 - Remove the short circuits across 1/38R100 and 1/38L13.
- Video carrier 38.9 MHz** To be adjusted only if 1/38IC3 is replaced.
- Connect an oscilloscope to pin 8 of 1/38IC3 (coordinate 3C).
 - Adjust 1/38L11 (coordinate 3C) until the front porch of the line sync pulse is as horizontal as possible.
- Stop tuning** To be adjusted only if 1/38IC12 is replaced.
- Remove the aerial signal from the tuner.
 - Connect a frequency counter to pin 5 of 1/38IC12 (coordinate 2A).
 - Adjust 1/38R99 (coordinate 2A) until 15625 Hz is measured.
- AGC** To be adjusted only if 1/38IC3 is replaced.
- Connect an aerial signal B/G or I.
 - Turn 1/38R56 (coordinate 4D) fully clockwise, then turn it anticlockwise until the picture is just free of noise.
- Video output**
- Connect an oscilloscope to the emitter of 1/38TR17 (coordinate 2C).
 - Adjust 1/38R167 (coordinate 2C) until 2Vpp is measured.
- Sound mixer** To be adjusted only if 1/38IC3 is replaced.
- Connect an oscilloscope to pin 5 of 1/38IC3 (coordinate 3C) ($x = 1\mu s$).
 - Adjust 1/38L9 (coordinate 3C) until the top and bottom of the signal are as parallel as possible.
- Channel separation**
- Connect an aerial signal with A2 stereo sound modulation.
 - Connect an oscilloscope to pin 14 of 1/38IC2 (coordinate 1C).
 - Adjust 1/38R17 (coordinate 1C) to minimum crosstalk.

5-5

ADJUSTMENTS, ENGLISH

Bang & Olufsen

Module 47 Picture-in-Picture PLL ref. osc

- Connect a PAL test pattern (colour bar).
- Short-circuit 47J1 and 47J2 (coordinate 4A).
- Adjust 47C77 (coordinate 3B) to obtain the minimum colour roll in the colour bar.

If a PAL/NTSC B/G/M IF is installed in the TV set, 47C75 has to be adjusted, too.

- Adjust 47C75 (coordinate 4B) in the same way as 47C77. Only an NTSC M test pattern has to be connected to the TV set.

Cloche filter

- Connect a SECAM test pattern (colour bar).
- Adjust 47L5 (coordinate 3B) until the optimum colour graduations in the colour bar are achieved.

SECAM black level

- Connect a SECAM test pattern with black content.
- Connect an oscilloscope to pin 1 of 41IC4.
- Adjust 47R105 (coordinate 3A) until the DC level of the signal has the same DC level as blanking (black level).
- Connect an oscilloscope to pin 3 of 47IC4.
- Adjust 47L6 (coordinate 4A) until the DC level of the signal has the same DC level as blanking (black level).
- Repeat the adjustment.

Bang & Olufsen

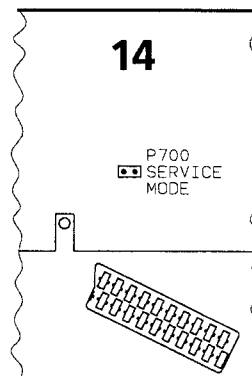
5-6
REPAIR TIPS, ENGLISH

REPAIR TIPS

Service mode

Bring the TV set into SERVICE MODE:

- remove the rear panel
- press
- short-circuit the SERVICE MODE plug, P700, on PCB14 briefly.



The service mode gives access to the following:

Picture and geometry adjustments, see the section SERVICE ADJUSTMENTS WITH BEOLINK 1000.

Display of the type and serial numbers of the TV set

3340	00000001	Last error no
Type number	Serial number	Last error condition

Picture tube

Two types of picture tubes are used in the TV, a Philips and a Videocolour type.

The two types require different picture mute time during start-up.

Philips 7-8 seconds.

Videocolour 11-12 seconds.

7-8 or 11-12 seconds can be selected in SERVICEMODE:

- Select Rdr in SERVICEMODE using or
- Press for 7-8 seconds (Philips).
- Press for 11-12 seconds (Videocolour).

As a sign of receipt of the command the TV leaves SERVICEMODE.

Last error

Permits the display of any last error condition.

The TV set is equipped with a number of safety circuits which become active in the event of an error occurring in the TV set and protect the set against damage as a consequence of such an error.

The following three error types are monitored:

- Power fail (e.g. overloading of a supply voltage).
- I²C bus error.
- Error in EEPROM.

5-7

REPAIR TIPS, ENGLISH

Display

Bang & Olufsen

Last error no = no error registered.

Last error pf = power fail.

Last error 00 up to and including FF = error somewhere on the I²C bus.

Last error df = data failure (EEPROM 6IC6 perhaps defective).

The power fail circuit is a ring coupled system that detects whether or not one or several voltage stabilizations are overloaded. If that is the case, this is registered by the μ C, which brings the TV set into stand-by.

The circuit operates as follows:

The μ C, 6IC2, outputs a pulsating voltage at pin 10.

If there are no errors, the μ C receives the signal back again at pin 12 6IC4.

If an overload condition occurs, the overloaded supply clamps the signal, and no signal is returned to pin 12.

The same signal, via 4C62, 4R84 and 4TR19, further causes the power-supply unit to switch ON.

If an error occurs such that the power-supply unit does not receive the pulsating voltage, the power-supply unit automatically goes into stand-by.

At power-up, the power fail return information is ignored for 400mS in order that the various power stabilizations may have time to adjust.

During the 400mS period it is possible to measure e.g. where the pulsating voltage is loaded in the power fail system (see the power fail diagram on page 2-4).

The I²C bus error system is integrated in the software that registers communication errors between the μ C and the components which are controlled through the I²C bus.

If such an error occurs, the μ C brings the TV set into stand-by.

If an error occurs in the EEPROM (6IC6), such that it is not possible to transfer the basic settings of the TV set to the deflection section and the colour section, the μ C replaces the missing data with standard values stored in the program memory.

Power-up with errors being ignored:

If a power fail or an I²C bus error occur, which make the TV set go into stand-by every time it is attempted to be started, it is possible to start up the TV set in a mode in which the error is ignored.

The procedure is as follows:

- The TV set must be in stand-by.
- Short-circuit the SERVICE MODE plug, P700, on PCB14; the short circuit must be constant.
- If the stand-by/ON LED on the TV set emits orange light, the error is a power fail. If the LED emits red light, the error in question is a data failure or an I²C bus error.
- Press TV . The LED will now emit green light.
- Remove the short circuit from the SERVICE MODE plug. The TV set will now start up in SERVICE MODE if that is possible.

The TV is now in SERVICE MODE but power fail and I²C bus errors will be ignored until the next time the TV has been in stand-by mode.

IMPORTANT! If the TV is started up ignoring the power fail error it may result in serious damage to the TV (the stand-by/ON LED emits orange light).

Bang & Olufsen

5-8
REPAIR TIPS, ENGLISH

I²C bus error:

An I²C bus error means that the communication on the bus failed when the μ C tried to communicate with the address in question. In most cases this means that the ancillary component is defective. However, the error may also be caused by a different component which destroyed the communication just when the communication was taking place with the address listed as the Last Error.

Addresses in connection with I²C bus errors:

Last error

- 4E 1/38IC6, Tuner & IF port expander.
- 84 1/38IC2, A2 stereo decoder.
- 40 31IC7, NICAM stereo decoder.
- 42 39/41IC5, D/A converter for CUT-OFF and DRIVE.
- 22 37IC2, Teletext controller.
- 8C 13IC2, Deflection controller.
- 82 14IC1, Audio controller.
- 86 14IC9, Video controller.

After the repair of an error which has been listed as an error message in the error display, the error message must be corrected to read Last error no. This is accomplished by pressing or (or)

Display of the software version number:

The TV set should not be in SERVICE MODE.

Press

or

Fault-finding in AFC circuits

Faults in the AFC circuits on Tuner & IF PCB1/38 will typically result in the tuning system searching down to the bottom or up to the top of the tuning range, or the TV will be unable to catch the right frequency when trying to tune in to a frequency.

The following guidelines may be employed in connection with fault-finding:

- Connect the aerial signal.
- Short-circuit 1/38R100 (coordinate 5F).
- Short-circuit 1/38L13 (coordinate 3A).
The AFC has now been made inactive.
- Press to tune in to a frequency.
- Press once more and check that FINE TUNE stands at the centre.
- Connect a DC voltmeter to pin 5 of 1/38IC9 (coordinate 4E). The voltage at pin 5 should be $6 \pm 0.3V$. If that voltage is not correct, the fault is in 1/38IC4 or the components surrounding it.
- If the 6V at pin 5 is OK, connect a DC voltmeter to pin 3 of 1/38IC9. The voltage at pin 3 should be greater than 6V.
- Connect a DC voltmeter to pin 6 of 1/38IC9. The voltage at pin 6 should be less than 6V.
- If the voltages at pins 3 and 6 are not OK, the fault is in 1/38IC9, 1/38IC13 or the surrounding components.

5-9

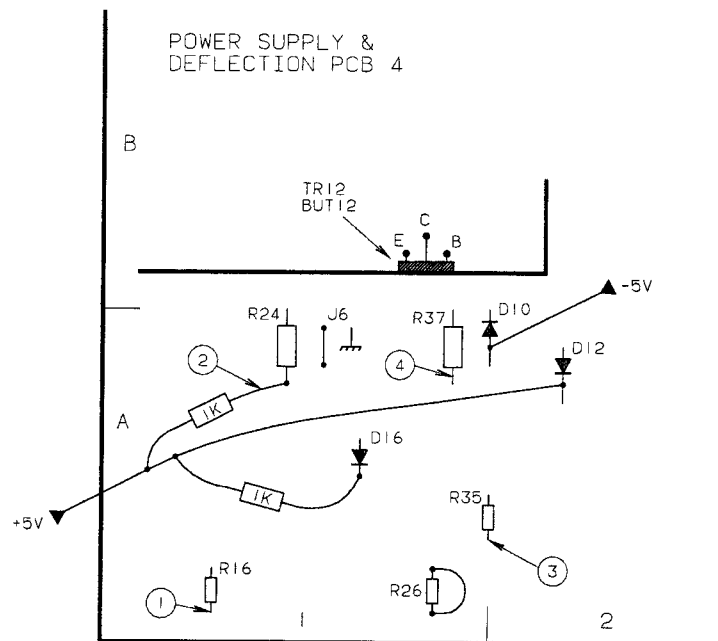
REPAIR TIPS, ENGLISH

Bang & Olufsen**Fault-finding in switch mode power supply**

If faults occur in the switch mode power supply on PCB4, power supply & deflection, e.g. if TR1, BUT 12 become defective all the time, the following guidelines may be employed in connection with the fault-finding process:

- Disconnect the mains voltage and take out the chassis.
- Short-circuit the base-emitter of TR7 (R26), fig. 1.
- Solder a 1 kohm resistor to the connection between R24 and R25, fig. 1.
- Solder a 1kohm resistor to the cathode of D16.
- Solder a lead to the anode of D10 and connect the lead to the - socket of a 5V DC power supply, fig. 1.
- Solder a lead to the cathode of D12, solder the free end of the two 1kohm resistors to the lead, and connect the lead to the + socket of the 5V DC power supply, fig. 1.
- Connect the mid-point of the balanced $\pm 5V$ DC power supply to J16 (ground), fig 1, and switch on the power supply.
- Connect an oscilloscope to points ①, ②, ③ and ④, figs. 1 and 2.
- When the measured pulses are like the oscilloscope pictures ①, ②, ③ and ④, figs. 1 and 2, the switch mode power supply is in order.

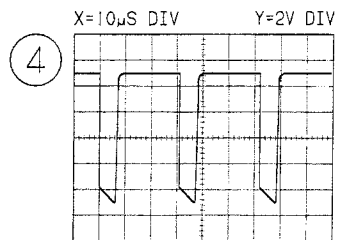
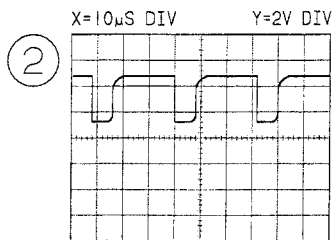
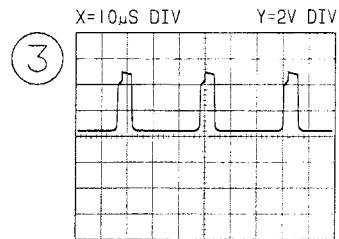
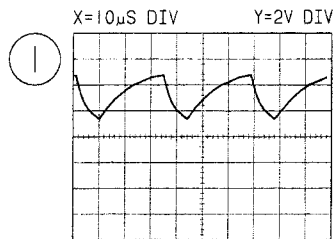
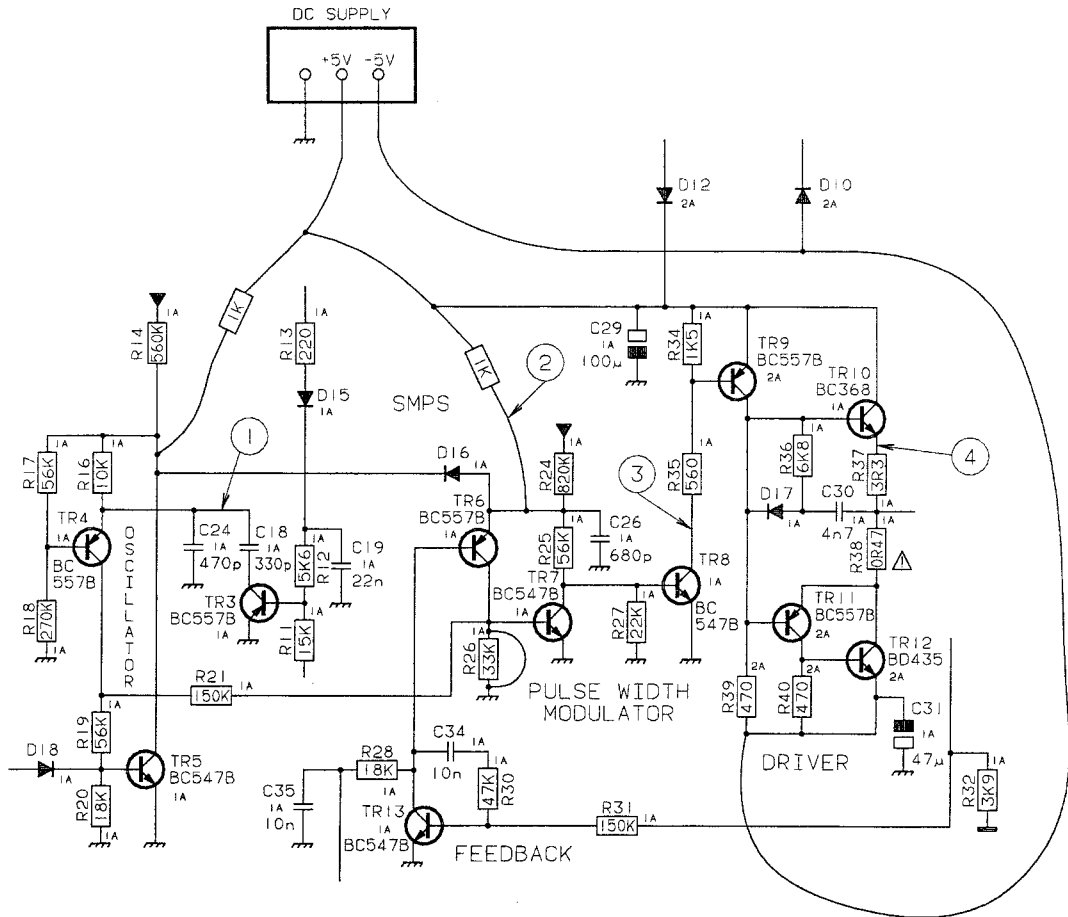
Fig. 1



Bang & Olufsen

5-10 REPAIR TIPS, ENGLISH

Fig. 2

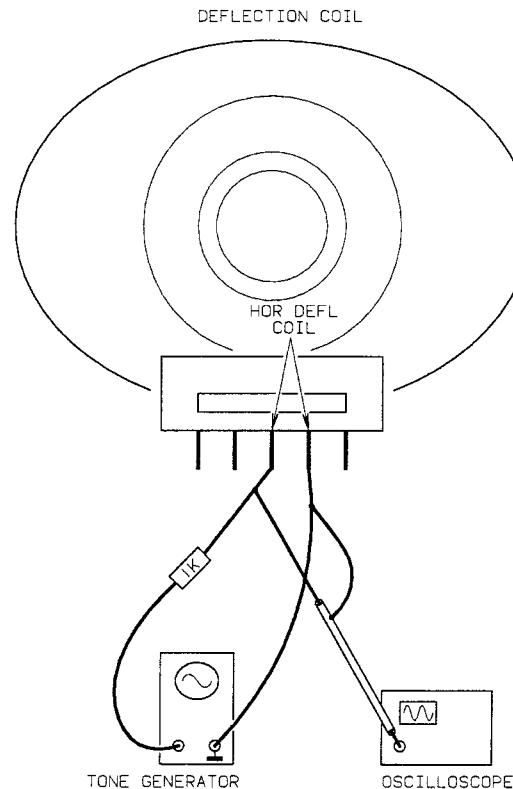


5-11

REPAIR TIPS, ENGLISH

Bang & Olufsen**Guidelines for fault-finding in the horizontal deflection**

- The TV set must not be connected to the mains.
- Connect a tone generator to the horizontal deflection coil via a 1 kohm resistor. The tone generator should produce a sine-wave signal of approx. 43 kHz, 100 mV, RMS.
- Connect an oscilloscope to the horizontal deflection coil.



- Check that the resonant frequency is 43 ± 2 kHz by changing the frequency of the tone generator.
- If resonant frequencies within the 60 kHz - 90 kHz range are found, the reason for this fault may be one of the following: the EHT transformer 4T1 is short-circuited, the horizontal deflection coil is short-circuited or 4C102 is disconnected.

Separation of the E/W circuit and the horizontal deflection

- If the picture is wide and distorted: Disconnect the connection from 4L8 pin 1 to the E/W output (the drain of 4TR35 and the anode of 4D77). If the picture subsequently becomes narrow and has pincushion distortion, the diode modulator is OK.
- If the picture is narrow and distorted: Disconnect the connection from 4L8 pin 1 to the E/W circuit, and short-circuit pin 1 of 4L8 to ground. If the picture subsequently becomes wide and has pincushion distortion, the diode modulator is OK.

Bang & Olufsen

5-12
REPAIR TIPS, ENGLISH

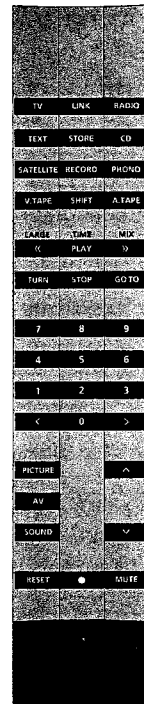
Automatic Cut-Off

The automatic Cut-Off circuit automatically balances out the differences which occur among the cut-off points of the three electron guns during the life of the picture tube.

The automatic cut-off adjustment is achieved through the interaction of 39/41IC4, various components in the video output and the picture tube (the R, G and B feedback signals).

If one of the three electron guns requires higher driving, the DC level of the signal at the ancillary output (pins 1, 3 or 5) of 39/41IC4 will be increasing.

Beolink 1000 MK II



Beolink 1000 MK III



OPTIONS & SHIFT functions

OPTIONS

The TV can be programmed for several different options.

Option 0 = The IR receiver of the TV is disconnected.

Option 1 = Video and audio systems (Beolink system) placed in the same room.

Option 2 = Video and audio systems (Beolink system) placed in different rooms.

Option 5 = Master (the TV responds to both IR data codes and to AUX datalink codes).

Option 6 = Slave (the TV responds to IR data codes only).

Option 7 = Autoconfiguration. If the TV is set to option 5 and connected to an MCL 2AV, the TV is automatically set to option 7 = option 6, slave. If the MCL 2AV is disconnected from the TV, the TV will remain in option 6. Options 1 and 2 have no influence on autoconfiguration. ⇨

Programming example:

Press **●** **PICTURE** **1** **STORE**
PICTURE **5** **STORE** = options 1 and 5.

If **STORE** is pressed, the stand-by LED will flash once, indicating that the command has been received.

Options 1 and 2 always have to be linked with option 5 or 6. The TV has been programmed for options 1 and 5 at the factory.

SHIFT functions

Press: **GOTO** **SHIFT** **3** = Switching between system BG and system L.

Press: **SHIFT** **7** = Non-Interlace.

Press: **SHIFT** **9** = The S-VHS input has now been selected.
 These SHIFT functions are toggle functions.

The SHIFT 2 function:

By means of the SHIFT 2 function the TV can be locked to the selected programme for recording on a video tape recorder with one-way data communication. The operating procedure has been described on the basis of a Beolink 1000 MK III.

1. One video tape recorder connected:

Select the source, **TV** or **SAT**, and then press **RECORD** **RECORD** **SHIFT** **2**. The TV is now locked to the selected programme.
 To unlock the signal path again, press **TV** or **SAT** **SHIFT** **2**.

2. Two video tape recorders (VTR1 and VTR2) connected:

The signal path can be locked to only one of the video tape recorders at a time.

VTR1:

Select the source, **TV** or **SAT**, and then press **RECORD** **RECORD** **SHIFT** **2**. The TV is now locked to the selected programme for recording on VTR1.

To unlock the signal path again, press **V.TAPE** **TV** or **SAT** **SHIFT** **2**.

VTR2:

Select the source, **TV** or **SAT**, and then press **SHIFT** **RECORD** **SHIFT** **RECORD** **SHIFT** **2**. The TV is now locked to recording on VTR2.

To unlock the signal path again, press **SHIFT** **V.TAPE** **TV** or **SAT** **SHIFT** **2**.

Bang & Olufsen

5-14
EINSTELLUNGEN, DEUTSCH

SERVICE-EINSTELLUNGEN MIT BEOLINK 1000 Betriebsart 'SERVICEMODE'

TV-Gerät in SERVICEMODE bringen:

- Rückwandteil abnehmen.
- -Taste drücken.
- SERVICEMODE-Steckverbindung P700 auf PCB14 kurzzeitig kurzschließen.

Die Betriebsart 'SERVICEMODE' bietet die folgenden Service-Einstellmöglichkeiten:

(Wegen sonstiger Möglichkeiten in der Betriebsart 'SERVICEMODE' siehe Reparaturtips).

Bildeinstellungen:

Display	Einstellbereich
Rdr Red drive	0-63
Grd Green drive	0-63
Rcu Red cut-off balance	0-63
Gcu Green cut-off balance	0-63
BRI BRILLiance preset	0-7
COL COLour preset	0-7

Geometrieinstellungen:

Display	Einstellbereich
Hfq Horizontal frequency	0-63
Hph Horizontal phase	0-63
Ham Horizontal amplitude	0-63
Vam Vertical amplitude	0-63
Vsc Vertical s correction	0-63
Vsh Vertical shift (centering)	0-63
Vli Vertical liniarity	0-63
EWc EW corner	0-63
EWp EW parabola	0-63
EWt EW tilt	0-63

Reset

Einstellen von Helligkeit (Brilliance), Farbsättigung (Colour) und Kontrast (Contrast) auf Nominalwerte:

- BRILLIANCE 32
- COLOUR 32
- CONTRAST 44

Zum Speichern der Werte im TV-Gerät sind die Tasten zu drücken. Durch Drücken der -Taste (oder Beolink 1000 MK III, siehe Seite 5-23) kehrt das TV-Gerät zu diesen voreingestellten Werten zurück.

BEDIENUNG IN DER BETRIEBSART 'SERVICEMODE'

<input type="button" value="◀"/>	<input type="button" value="▶"/>	Springen im Menü
<input type="button" value="◀"/>	<input type="button" value="▶"/>	oder
<input type="button" value="▲"/>	<input type="button" value="▼"/>	Ändern des Wertes
<input type="button" value="STOP"/>		Verlassen der Betriebsart 'SERVICEMODE'.

Beim Verlassen von 'SERVICEMODE' werden die gewählten Werte gespeichert. Die Klang- und Bildeinstellungen des TV-Gerätes mit Beolink 1000 funktionieren in der Betriebsart 'SERVICEMODE' auf normale Art.

Für die nachstehenden Abgleichungen ist ein normales Farbtestbild zu benutzen.

5-15

EINSTELLUNGEN, DEUTSCH

Bang & Olufsen**Voreinstellung (Preset)**

Voreinstellung (Referenzniveau) von Helligkeit (Brilliance) und Farbsättigung (Colour).

- Helligkeit und Farbsättigung mit **RESET** (oder **SHIFT** **MUTE** Beolink 1000 MK III) auf Nominalwerte einstellen.
- TV-Gerät in Betriebsart 'SERVICEMODE' bringen.
- Helligkeit (BRI) auf korrekten Helligkeitsinhalt im Bild abgleichen (typisch 5).
- Farbsättigung (COL) auf korrekte Farbsättigung abgleichen (typisch 4).

Sperrpunkt-Balance (Cut-off balance)

- Helligkeit mit **RESET** (oder **SHIFT** **MUTE** Beolink 1000 MK III) auf Nominalwert einstellen.
- Farbsättigung auf '0' einstellen.
- TV-Gerät in Betriebsart 'SERVICEMODE' bringen.
- Rote und grüne 'Cut-off-Balance (Rcu) und (Gcu) so lange abgleichen, bis die dunklen Felder im Testbild farblos sind.

Treiber (Drive)

- Helligkeit mit **RESET** (oder **SHIFT** **MUTE** Beolink 1000 MK III) auf Nominalwert einstellen.
- Farbsättigung auf '0' einstellen.
- TV-Gerät in Betriebsart 'SERVICEMODE' bringen.
- Roten und grünen Treiber (Rdr) und (Gdr) auf korrekten Weißton abgleichen.

**HORIZONTAL-ABLENKUNG
Horizontalfrequenz**

- Anschluß 5 des 13IC1 an Masse kurzschließen.
- 'Hfq' im 'SERVICEMODE'-Menü wählen.
- Horizontalfrequenz auf möglichst langsames horizontales Bildrollen abgleichen.
- Kurzschluß entfernen.

Ost-West-Parabel (EW parabola)

- 'EWp' im 'SERVICEMODE'-Menü wählen.
- Auf korrekte seitliche Bildrandgeometrie abgleichen.

Ost-West-Trapez (EW tilt)

- 'EWt' im 'SERVICEMODE'-Menü wählen.
- Auf korrekte Geometrie abgleichen (Vertikal-Zentrierung wird beeinflusst).

Ost-West-Bildecke (EW corner)

- 'Ewc' im 'SERVICEMODE'-Menü wählen.
- Auf korrekte Bildeckengeometrie abgleichen.

Horizontal-Amplitude

- 'Ham' im 'SERVICEMODE'-Menü wählen.
- Auf korrekte Amplitude abgleichen.

Horizontal-Zentrierung/'Phase'

- Helligkeit (BRILLIANCE) auf Maximum einstellen.
- 'Ham' im 'SERVICEMODE'-Menü wählen und auf minimale Breite abgleichen.
- 'Hph' wählen und Bild zentrieren, so daß es innerhalb der Abtastzeit liegt.
- 'Ham' wählen und auf korrekte Breite abgleichen.
- Bild bestmöglich mit 3S1 zentrieren.
- 'Hph' wählen und nachträglich abgleichen.
- **RESET**-Taste (oder **SHIFT** **MUTE** Beolink 1000 MK III) drücken, um BRILLIANCE auf Nominalwert einzustellen.

Bang & Olufsen

5-16
EINSTELLUNGEN, DEUTSCH

VERTIKAL-ABLENKUNG Vertikal-Amplitude (Vertical amplitude)

- 'Vam' im 'SERVICEMODE'-Menü wählen.
- Auf korrekte Amplitude abgleichen.

Vertikal-Linearität (Vertical liniarity)

- 'Vli' im 'SERVICEMODE'-Menü wählen.
- Auf korrekte Linearität abgleichen.

Vertikale S-Korrektur (Vertical s correction)

- 'Vsc' im 'SERVICEMODE'-Menü wählen.
- Auf korrekte Zentrierung abgleichen (Ost-West-Bildecken werden beeinflusst).

Vertikal-Zentrierung (Vertical shift)

- 'Vsh' im 'SERVICEMODE'-Menü wählen.
- Auf korrekte Zentrierung abgleichen (Ost-West-Trapez wird beeinflusst).

Falls notwendig, ist der Abgleichvorgang zu wiederholen.

ABGLEICHUNGEN

Bei den folgenden Abgleichungen ist das Gerät - falls nichts Gegenteiliges angeführt ist - an ein normales Farbtestbild anzuschließen. Die Service-Einstellungen mit dem Beolink-Terminal müssen vorgenommen sein.

Modul 39/41 PAL/SECAM/NTSC-Decoder Fokussierung

- Helligkeit und Farbsättigung mit **RESET** (oder **SHIFT** **MUTE** Beolink 1000 MK III) auf Nominalwerte einstellen.
- Kontrast auf Maximum einstellen.
- Mit dem Fokussierpotentiometer auf Modul 3 auf bestmögliche Fokussierung - ca. 10 cm vom Bildrand gesehen - abgleichen.

4,43 MHz-Chroma-Saugkreis

- PAL-Testbild (Farbbalken) anschließen.
- Oszilloskop an 39/41J10 (Koordinate 2C) anschließen.
- Mit 39/41L1 (Koordinate 1C) auf minimalen 4,43 MHz-Rest im Signal abgleichen.

PLL-Referenzoszillator

- PAL-Testbild (Farbbalken) anschließen.
- 39/41J6 und 39/41J7 (Koordinate 2B) kurzschließen.
- Mit 39/41C48 (Koordinate 1B) auf minimales Farbrollen im Farbbalken abgleichen.

Falls im TV-Gerät PAL/NTSC B/G/M ZF montiert ist, muß auch 41C46 abgeglichen werden.

- Mit 41C46 (Koordinate 1B) - genau wie bei 41C48 - abgleichen; das TV-Gerät muß aber hierzu an ein 'NTSC M'-Testbild angeschlossen sein.

'Cloche'-Filter

- SECAM-Testbild (Farbbalken) anschließen.
- Mit 41L22 (Koordinate 2C) auf bestmögliche Farbübergänge im Farbbalken abgleichen.

SECAM-Schwarzpegel

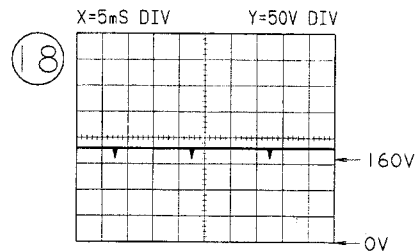
- SECAM-Farbtestbild mit schwarzem Inhalt anschließen.
- Oszilloskop an Anschluß 1 des 41IC1 anschließen.
- Mit 41R65 (Koordinate 1A) abgleichen, bis der DC-Pegel des Signals dem DC-Pegel des Austastsignals (Blanking) entspricht (Schwarzpegel).
- Oszilloskop an Anschluß 3 des 41IC1 anschließen.
- Mit 41L25 (Koordinate 1A) abgleichen, bis der DC-Pegel des Signals dem DC-Pegel des Austastsignals (Blanking) entspricht (Schwarzpegel).
- Abgleichvorgang wiederholen.

5-17

EINSTELLUNGEN, DEUTSCH

Bang & Olufsen**Cut-off (G2)**

- Helligkeit auf den Nennwert einstellen, **RESET** oder **SHIFT** **MUTE** (Beolink 1000 MK III).
- Tasten **PICTURE** **MUTE** drücken.
- Mit einem Oszilloskop den Meßpunkt am 3R1, 3R2 oder 3R3 (Oszilloskopbild Nr. 18) ermitteln, der die höchste Meßpulsspannung ergibt.
- Mit dem G2-Potentiometer (PCB3) so lange abgleichen, bis die Meßpulsspannung bei 160 VDC liegt (absoluter Maximalpegel).
- Nach dieser Einstellung die Tasten **PICTURE** **MUTE** drücken.

**Alternative Einstellung des Sperrpunkts (Cut-off)**

Zur Einzielung einer genauen Einstellung ist das Verfahren mit Oszilloskop – wie oben beschrieben – zu befolgen.

- Helligkeit mit **RESET** (oder **SHIFT** **MUTE** Beolink 1000 MK III) auf Nominalwert einstellen.
- **PICTURE** **MUTE** -Tasten drücken und 9R17 (LDR) zudecken.
- Mit einem DC-Voltmeter ($R_i > 1M\Omega$) den Spannungsabfall über 3R1, 3R2 und 3R3 messen.
- Mit dem G2-Potentiometer (Modul 3) so lange abgleichen, bis 2 V über denjenigen der Widerstände 3R1, 3R2 oder 3R3 gemessen werden, der den geringsten Spannungsabfall aufweist.
- Nach dem Abgleichvorgang die Tasten **PICTURE** **MUTE** drücken.

Modul 1/38 Tuner & ZF-Teil (Tuner & IF) AFC

Ist nur abzugleichen, wenn 1/38IC4 ausgetauscht worden ist.

- 1/38R100 (Koordinate 5F) kurzschließen.
- 1/38L13 (Koordinate 3A) kurzschließen.
- DC-Voltmeter an Anschluß 5 des 1/38IC4 (Koordinate 3B) anschließen, und so lange mit 1/38L12 (Koordinate 3B) abgleichen, bis 6 V gemessen werden.
- 1/38R204 (Koordinate 3F) ganz im Gegenuhrzeigersinn drehen.
- DC-Voltmeter zwischen Anschluß 3 und Anschluß 6 des 1/38IC9 (Koordinate 4E) anschließen und mit 1/38R196 (Koordinate 5E) abgleichen, bis 0,6 V gemessen werden.
- DC-Voltmeter an Anschluß 3 des 1/38IC9 (Koordinate 4E) anschließen und mit 1/38R204 (Koordinate 3F) abgleichen, bis 6,3 V gemessen werden.
- Kurzschlüsse über 1/38R100 und 1/38L13 entfernen.

Bildträger 38,9 MHz (Video carrier)

Ist nur abzugleichen, wenn 1/38IC3 ausgetauscht worden ist.

- Oszilloskop an Anschluß 8 des 1/38IC3 (Koordinate 3C) anschließen.
- Mit 1/38L11 (Koordinate 3C) auf möglichst horizontale vordere Schulter des Zeilensynchronisierimpulses abgleichen.

Stop Abstimmung (Stop tuning)

Ist nur abzugleichen, wenn 1/38IC12 ausgetauscht worden ist.

- Antennensignal vom Tuner entfernen.
- Frequenzzähler an Anschluß 5 des 1/38IC12 (Koordinate 2A) anschließen.
- Mit 1/38R99 (Koordinate 2A) so lange abgleichen, bis 15.625 Hz gemessen werden.

Bang & Olufsen

5-18
EINSTELLUNGEN, DEUTSCH

Automatische Verstärkungsregelung (AGC)

- Ist nur abzugleichen, wenn 1/38IC3 ausgetauscht worden ist.
- Ein Antennensignal B/G oder I anschließen.
 - 1/38R56 (Koordinate 4D) ganz im Uhrzeigersinn drehen, danach im Gegenuhrzeigersinn drehen, bis das Bild gerade rauschfrei ist.

Video-Ausgangssignal (Video output)

- Oszilloskop an den Emitter des 1/38TR17 (Koordinate 2C) anschließen.
- Mit 1/38R167 (Koordinate 2C) abgleichen, bis 2 Vpp gemessen werden.

Tonmischer (Sound mixer)

- Ist nur abzugleichen, wenn 1/38IC3 ausgetauscht worden ist.
- Oszilloskop an Anschluß 5 des 1/38IC3 (Koordinate 3C) anschließen ($x = 1 \mu\text{S}$).
 - Mit 1/38L9 (Koordinate 3C) so lange abgleichen, bis oberster und tiefster Teil des Signals möglichst parallel sind.

Kanaltrennung

- Antennensignal mit A2-Stereo-Tonmodulation anschließen.
- Oszilloskop an Anschluß 14 des 1/38IC2 (Koordinate 1C) anschließen.
- Mit 1/38R17 (Koordinate 1C) auf minimales Übersprechen abgleichen.

Modul 47 Picture-in-Picture PLL-Referenzoszillator

- PAL-Testbild (Farbbalken) anschließen.
- 47J1 und 47J2 (Koordinate 4A) kurzschließen.
- Mit 47C77 (Koordinate 3B) auf minimales Farbbrollen im Farbbalken abgleichen.

Falls im TV-Gerät PAL/NTSC B/G/M ZF montiert ist, muß auch 47C75 abgeglichen werden.

- Mit 47C75 (Koordinate 4B) – genau wie bei 47C77 – abgleichen; das TV-Gerät muß aber hierzu an ein 'NTSC M'-Testbild angeschlossen sein.

'Cloche'-Filter

- SECAM-Testbild (Farbbalken) anschließen.
- Mit 47L5 (Koordinate 3B) auf bestmögliche Farbübergänge im Farbbalken abgleichen.

SECAM-Schwarzpegel

- SECAM-Farbttestbild mit schwarzem Inhalt anschließen.
- Oszilloskop an Anschluß 1 des 47IC4 anschließen.
- Mit 47R105 (Koordinate 3A) abgleichen, bis der DC-Pegel des Signals dem DC-Pegel des Austastsignals (Blanking) entspricht (Schwarzpegel).
- Oszilloskop an Anschluß 3 des 47IC4 anschließen.
- Mit 47L6 (Koordinate 4A) abgleichen, bis der DC-Pegel des Signals dem DC-Pegel des Austastsignals (Blanking) entspricht (Schwarzpegel).
- Abgleichvorgang wiederholen.

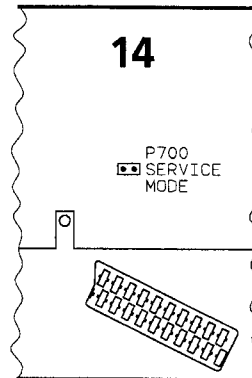
5-19

REPARATURTIPS, DEUTSCH

Bang & Olufsen**REPARATURTIPS****Betriebsart 'SERVICEMODE'**

TV-Gerät in SERVICEMODE bringen:

- Rückwandteil abnehmen.
- TV -Taste drücken.
- SERVICEMODE-Steckverbindung P700 auf PCB14 kurzzeitig kurzschließen.



Die Betriebsart 'SERVICEMODE' bietet die folgenden Einstellmöglichkeiten:

Bild- und Geometrieinstellungen, siehe hierzu den Abschnitt SERVICE-EINSTELLUNGEN MIT BEOLINK 1000.

Auslesen von Typ- und Seriennummer des Gerätes

3340	00000001	Last error no
Typ- nummer	Serien- nummer	Letzter Fehlerzustand

Bildröhren

Für das Fernsehgerät werden zwei verschiedene Bildröhrentypen verwendet – einen Philips-Typ und einen Videocolour-Typ.

Die beiden Bildröhrentypen erfordern beim Einschalten des Fernsehgerätes unterschiedlich lange Bild-Mute-Zeiten:

Philips 7-8 Sekunden.

Videocolour 11-12 Sekunden.

Diese Zeiten – 7-8 oder 11-12 Sekunden – können in der Betriebsart SERVICEMODE gewählt werden:

- In SERVICEMODE mit den Tasten <<< oder >>> Rdr wählen.
- Für 7-8 Sekunden auf 8 drücken (Philips).
- Für 11-12 Sekunden auf 9 drücken (Videocolour).

Als Bestätigung dafür, daß der Befehl korrekt empfangen worden ist, schaltet sich das Fernsehgerät aus der Betriebsart SERVICEMODE heraus.

'Last error'

Ermöglicht das Auslesen eines etwaigen letzten Fehlerzustandes.

Das TV-Gerät weist eine Reihe von Sicherungskreisen auf, die bei Fehlern im Gerät in Funktion treten und das Gerät vor Folgeschäden schützen.

Die folgenden drei Fehlertypen werden überwacht:

- Stromausfall (Power fail) (z.B. Überlastung einer Versorgungsspannung).
- I²C-Bus-Fehler
- EEPROM-Fehler

Bang & Olufsen

5-20
REPARATURTIPS, DEUTSCH

Auslesungen

Last error no = Kein Fehler registriert.

Last error pf = Stromausfall (Power fail).

Last error 00 bis einschl. FF = Fehler am I²C-Bus.

Last error df = Datenfehler (Data failure) (EEPROM 6IC6 möglicherweise fehlerhaft).

Beim 'Power fail'-Kreis handelt es sich um ein als Ringnetz gekoppeltes System, das erkennt, ob eine oder mehrere Spannungsstabilisierungen überlastet sind. Ist dies der Fall, so wird dies vom Mikrocomputer (μ C) registriert, der daraufhin das Gerät in die Stellung 'Stand-by' schaltet.

Der Kreis funktioniert so, daß der Mikrocomputer 6IC2 eine pulsierende Spannung auf Anschluß 10 hinausgibt. Wenn keine Fehler erkannt werden, gelangt das Signal wieder zurück zum Anschluß 12 6IC4 des Mikrocomputers.

Falls eine Überlastung entsteht, klemmt die überlastete Versorgung das Signal an, und es trifft kein Signal am Anschluß 12 ein.

Dasselbe Signal bringt außerdem über 4C62, 4R84 und 4TR19 das Netzteil in den EIN-Zustand.

Falls ein Fehler entsteht, so daß dem Netzteil die vorgenannte pulsierende Spannung nicht zugeführt wird, schaltet das Netzteil automatisch in die Stellung 'Stand-by'.

Beim Anlaufen wird die 'Power fail'-Rückmeldung während der Dauer von 400 ms ignoriert, damit sich die verschiedenen Spannungsstabilisierungen korrekt einstellen können. Während dieser 400 ms kann man evtl. messen, wo die pulsierende Spannung im 'Power fail'-System belastet wird (siehe hierzu 'Power fail'- Diagramm, Seite 2-4).

Beim I²C-Bus-Fehlersystem handelt es sich um einen Teil der Software, welche Kommunikationsfehler zwischen dem Mikrocomputer und den über den I²C-Bus gesteuerten Komponenten registriert. Falls ein solcher Kommunikationsfehler entsteht, schaltet der Mikrocomputer das Gerät in 'Stand-by'.

Falls im EEPROM (6IC6) ein Fehler entsteht, so daß sich die Grundeinstellungen des Gerätes nicht auf den Ablenk- und Farbteil übertragen lassen, ersetzt der Mikrocomputer die fehlenden Daten durch im Programmspeicher abgespeicherte Standardwerte.

Einschalten des Gerätes bei Ignorierung von Fehler(n): Bei Stromausfall (Power fail) oder I²C-Bus-Fehlern, bei denen das TV-Gerät bei jedem Einschaltversuch in die Stellung 'Stand-by' zurückschaltet, ist es möglich, das TV-Gerät aus einem Zustand einzuschalten, in dem der Fehler ignoriert wird.

Hierzu ist wie folgt zu verfahren:

- Das TV-Gerät muß sich in der Stellung 'Stand-by' befinden.
- Die SERVICEMODE-Steckverbindung P700 auf PCB14 ist kurzschließen; der Kurzschluß muß permanent sein.
- Falls die 'Stand-by'/ON-LED orange leuchtet, handelt es sich bei dem Fehler um einen Stromausfallfehler. Leuchtet die LED rot, so ist von einem Datenfehler oder IC-Bus-Fehler die Rede.
- Jetzt die Taste TV drücken. Die LED leuchtet jetzt grün.
- Kurzschluß der SERVICEMODE-Steckverbindung entfernen. Das TV-Gerät startet jetzt in der Betriebsart 'SERVICEMODE', sofern dies überhaupt möglich ist.



5-21

REPARATURTIPS, DEUTSCH

Bang & Olufsen

Das TV-Gerät befindet sich jetzt in der Betriebsart 'SERVICEMODE', aber Stromausfall- und I²C-Bus-Fehlern werden so lange ignoriert, bis das TV-Gerät das nächste Mal in 'Stand-by' geschaltet wird.

ACHTUNG! Wenn das TV-Gerät bei Ignorierung von Stromausfallfehlern eingeschaltet wird, kann dies zu umfassenden Zerstörungen im Gerät führen ('Stand-by'/ON LED leuchtet orange).

I²C-Bus-Fehlern

Ein I²C-Bus-Fehler bewirkt Kommunikationsausfall auf dem Bus, so daß der Mikrocomputer mit einer gegebenen Adresse nicht mehr kommunizieren kann. In den meisten Fällen bedeutet dies, daß die zugehörige Komponente fehlerhaft ist. Der Fehler kann auch auf eine andere Komponente zurückzuführen sein, die die Kommunikation gerade in dem Moment stört, in dem mit der Adresse, die als letzter Fehlerzustand ('Last error') angeführt ist, kommuniziert wurde.

Adressen bei I²C-Bus-Fehlern:

Last error

- 4E 1/38IC6, Tuner & ZF Port-Expander.
- 84 1/38IC2, A2 Stereo-Decoder.
- 40 31IC7, NICAM Stereo-Decoder.
- 42 39/41IC5, D/A-Umsetzer für 'CUT-OFF' und 'DRIVE'.
- 22 37IC2, Videotext-(Teletext)-Controller.
- 8C 13IC2, Ablenk-Controller.
- 82 14IC1, Ton-Controller.
- 86 14IC9, Video-Umschalter.

Nach der Reparatur eines Fehlers, der durch eine Fehlermeldung angezeigt gewesen ist, ist die Fehlermeldung durch 'Last error no' zu berichtigen. Dies erfolgt durch Drücken der -oder - (oder) Taste.

Auslesen der Nummer der Software-Version:

Das TV-Gerät soll nicht in der Betriebsart 'SERVICEMODE' geschaltet sein!

Tastenbetätigung:

oder
 .

Fehlersuche in AFC-Schaltkreisen Fehler in den AFC-Schaltkreisen des Tuner & ZF-Teils (Tuner & IF) PCB1/38 werden typisch zur Folge haben, daß das Abstimmsystem im Abstimmbereich ganz ab- oder aufwärts gezogen wird, oder daß das TV-Gerät die korrekte Frequenz nicht 'fangen' kann, wenn man versucht, auf eine Frequenz abzustimmen.

Es können die folgenden Richtlinien bei der Fehlersuche benutzt werden:

- Antennensignal anschließen.
- Zuerst 1/38R100 (Koordinate 5F) kurzschließen.
- Dann 1/38L13 (Koordinate 3A) kurzschließen - jetzt ist die AFC inaktiv.
- drücken, um auf eine Frequenz abzustimmen.
- noch einmal drücken, um festzustellen, daß FINE TUNE in der Mitte liegt.
- DC-Voltmeter an Anschluß 5 des 1/38IC9 (Koordinate 4E) anschließen; die Spannung am Anschluß 5 muß bei 6 V \pm 0,3 V liegen.
Ist die Spannung nicht richtig, so liegt der Fehler im 1/38IC4 oder in den benachbarten Komponenten.
- Falls die 6 V am Anschluß 5 in Ordnung sind, ist das DC-Voltmeter an Anschluß 3 des 1/38IC9 anzuschließen; die Spannung am Anschluß 3 muß höher sein als 6 V.

⇒

Bang & Olufsen

5-22
REPARATURTIPS, DEUTSCH

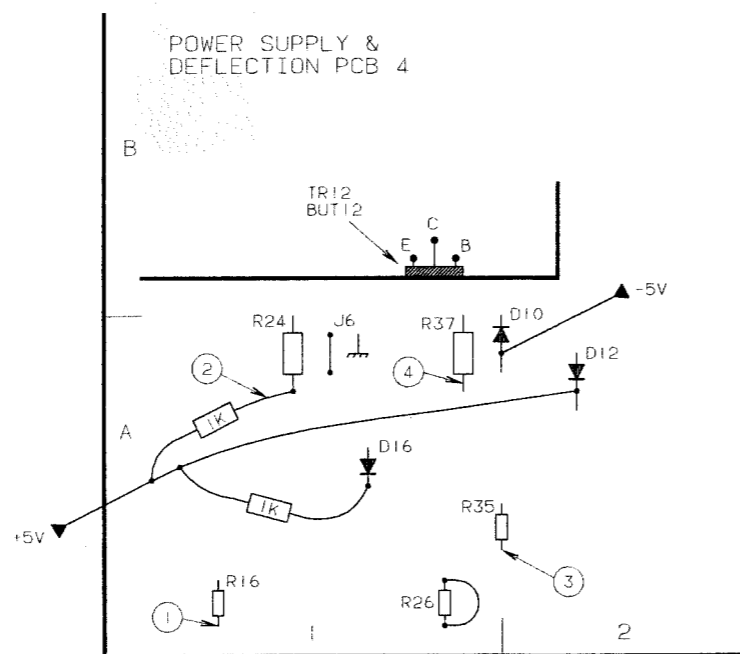
- DC-Voltmeter an Anschluß 6 des 1/38IC9 anschließen; die Spannung am Anschluß 6 muß niedriger sein als 6 V.
- Sind die Spannungen an den Anschlüssen 3 und 6 nicht in Ordnung, so liegt der Fehler im 1/38IC9, 1/38IC13 oder in den benachbarten Komponenten.

Fehlersuche in der Schaltnetzteilversorgung

Bei Fehlern in der Schaltnetzteilversorgung auf PCB4 (Power Supply & Deflection), wodurch z.B. TR1, BUT 12 die ganze Zeit fehlerhaft werden, können die folgenden Richtlinien bei der Fehlersuche benutzt werden:

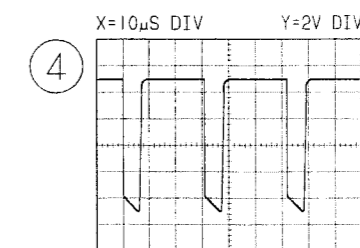
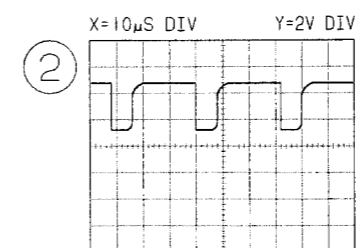
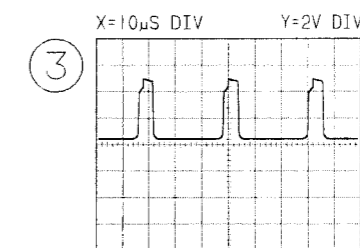
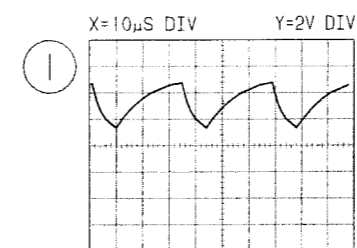
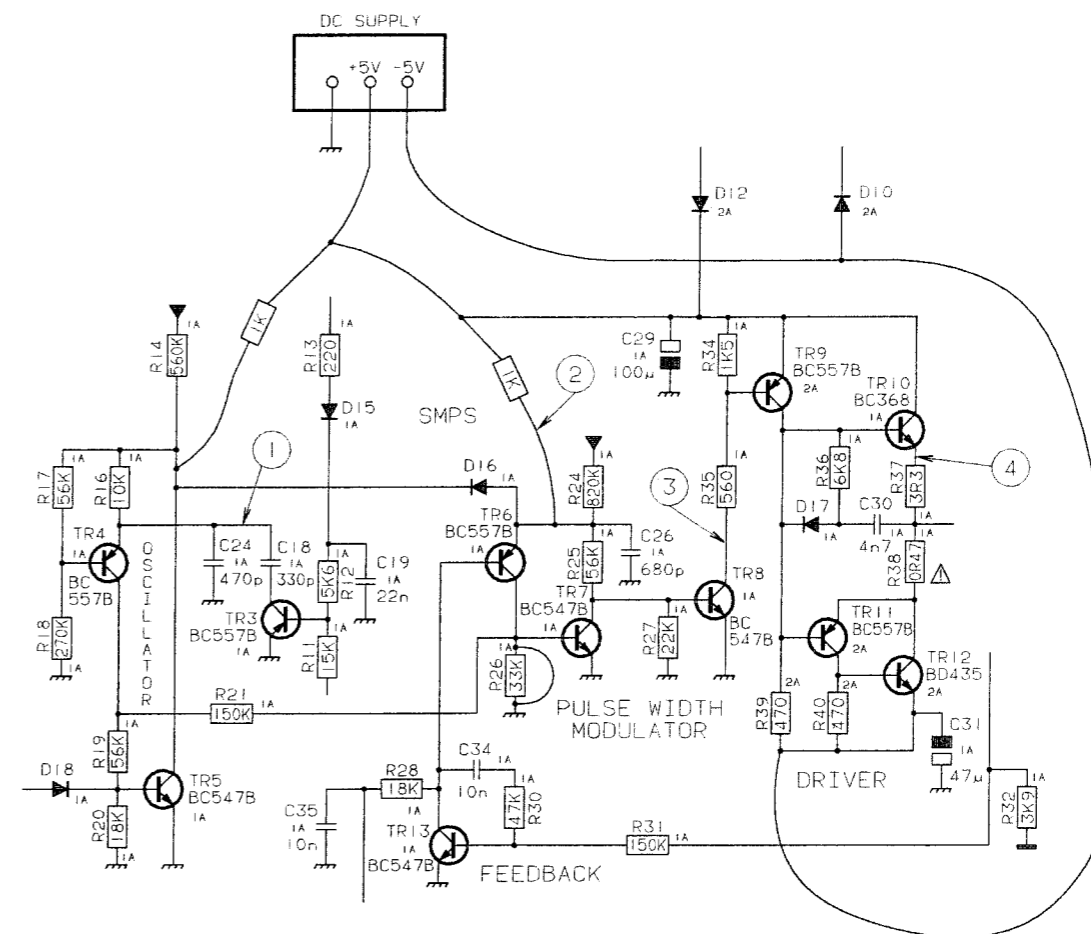
- Netzspannung unterbrechen und Chassis herausnehmen.
- Basis-Emitter des TR7 (R26) kurzschließen, Abb. 1.
- Einen 1 kOhm-Widerstand im Mittelpunkt für R24 und R25 anlöten, Abb. 1.
- Einen 1 kOhm-Widerstand an der Kathode der D16 anlöten.
- Eine Leitung an der Anode der D10 anlöten und Leitung an die Minus-Buchse (-) einer 5 V-DC-Stromversorgung anschließen, Abb. 1.
- Eine Leitung an der Kathode der D12 anlöten, das freie Ende der beiden 1 kOhm-Widerstände an der Leitung festlöten und die Leitung an die Plus-Buchse (+) einer 5 V-DC-Stromversorgung anschließen, Abb. 1.
- Mittelpunkt der balancierten ± 5 V-DC-Stromversorgung an J16 (Masse) anschließen, Abb. 1, und Stromversorgung einschalten.
- Oszilloskop in den Punkten ①, ②, ③ und ④ anschließen, Abb. 1 und 2.
- Wenn die gemessenen Impulse den Oszilloskopbildern ①, ②, ③ und ④ entsprechen, Abb. 1 und 2, ist die Schaltnetzteilversorgung in Ordnung.

Abb. 1



5-22
REPARATURTIPS, DEUTSCH

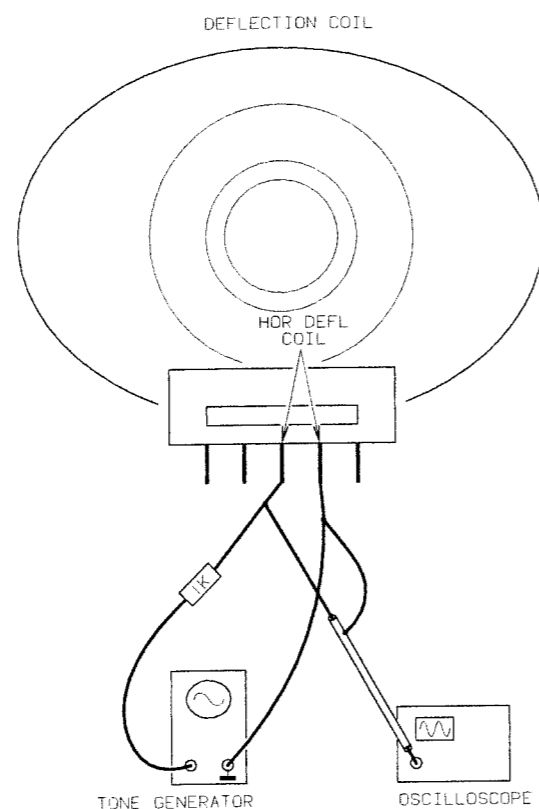
Abb. 2



5-23

Richtlinien für die Fehlersuche
im Horizontal-Ablenkteil

- TV-Gerät darf nicht ans Netz angeschlossen werden.
- Tongenerator an die horizontale Ablenkspule über einen 1-kOhm-Widerstand anschließen. Der Tongenerator muß ein Sinussignal von ca. 43 kHz 100 mV (RMS) abgeben.
- Oszilloskop an die horizontale Ablenkspule anschließen.



- Prüfen, daß die Resonanzfrequenz bei 43 ± 2 kHz liegt, indem die Frequenz des Tongenerators geändert wird. Falls Resonanzfrequenzen im Bereich 60 kHz - 90 kHz festgestellt werden, kann die Fehlerursache die folgende sein:
EHT-Transformator 4T1 kurzgeschlossen, Horizontal-Ablenkspule kurzgeschlossen oder 4C102 unterbrochen.

Zerlegung des Ost-West-Kreises (E/W) und des Horizontal-Ablenkteils

- Bei breitem und verzerrtem Bild: Verbindung vom Anschluß 1 der 4L8 zum Ost-West-Ausgang unterbrechen (Drain des 4TR35 und Anode der 4D77). Falls das Bild danach schmal und kissenverzerrt erscheint, ist der Diodenmodulator in Ordnung.
- Bei schmalem und verzerrtem Bild: Verbindung vom Anschluß 1 der 4L8 zum Ost-West-Ausgang unterbrechen und Anschluß 1 der 4L8 an Masse kurzschließen. Falls das Bild danach breit und kissenverzerrt erscheint, ist der Diodenmodulator in Ordnung.

5-23
REPARATURTIPS, DEUTSCH5-23
REPARATURTIPS, DEUTSCHAutomatischer Sperrpunkt
(Cut-off)

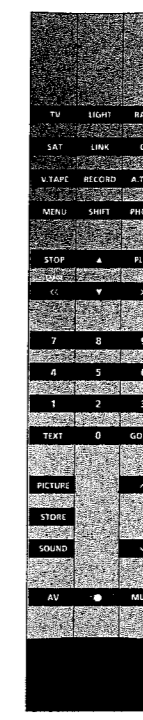
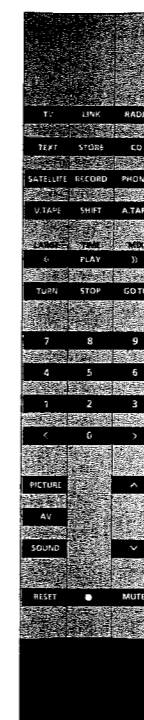
Der automatische 'Cut-off'-Schaltkreis gleicht automatisch die Unterschiede aus, die im Laufe der Bildröhrenlebensdauer zwischen den Sperrpunkten der drei Elektronenkanonen entstehen.

Der automatische Sperrpunktausgleich erfolgt im Zusammenwirken zwischen 39/41IC4, einigen Komponenten am Videoausgang und der Bildröhre (den R-, G- und B-'Feed-back'-Signalen).

Falls für eine der drei Elektronenkanonen eine höhere Aussteuerung erforderlich ist, wird der DC-Signalpegel am entsprechenden Ausgang (Anschluß 1, 3 oder 5) des 39/41IC4 ansteigen.

Beolink 1000 MK II

Beolink 1000 MK III

'OPTIONS & SHIFT'-Funktionen
OPTIONEN

Das TV-Gerät ist für mehrere verschiedene Optionen programmierbar.

Option 0 = IR-Empfänger des TV-Gerätes wird abgeschaltet.

Option 1 = Video- und Audiosystem (Beolink-System) im selben Zimmer.

Option 2 = Video- und Audiosystem (Beolink-System) in verschiedenen Zimmern.

Option 5 = Master (das TV-Gerät reagiert sowohl auf IR-Daten-Codes als auch auf AUX-Datenlink-Codes).

Option 6 = Slave (das TV-Gerät reagiert nur auf IR-Daten-Codes).

Option 7 = Autokonfiguration. Falls das TV-Gerät in Option 5 steht und mit einem MCL 2AV verknüpft wird, schaltet das TV-Gerät automatisch in Option 7 = Option 6, Slave. Falls MCL 2AV wieder vom TV-Gerät getrennt wird, verbleibt das TV-Gerät in Option 6. Option 1 und 2 haben keinen Einfluß auf 'Autokonfiguration'.

Bang & Olufsen

5-24
REPARATURTIPS, DEUTSCH

Programmierungsbeispiel:

Tastenbetätigung

● PICTURE 1 STORE
PICTURE 5 STORE = option 1 und 5.

Beim Drücken auf [STORE] blinkt die Standby-LED einmal, was anzeigt, daß der Befehl empfangen ist.

Option 1 und 2 sind immer mit Option 5 oder Option 6 zu programmieren. Das TV-Gerät ist werksseitig auf Option 1 und 5 programmiert.

'SHIFT'-Funktionen

Tastenbetätigung

[GOTO] [SHIFT] 3 = Umschaltung zwischen System BG und L.

Tastenbetätigung

[SHIFT] 7 = Non-Interlace.

Tastenbetätigung

[SHIFT] 9 = S-VHS-Eingang wurde gewählt.

Bei diesen 'SHIFT'-Funktionen handelt es sich um Kippschalt-Funktionen.

'SHIFT' 2-Funktionen:

Mittels der 'SHIFT' 2-Funktion läßt sich das TV-Gerät auf dem gewählten Programm zur Aufzeichnung auf einem Videorecorder mit Einweg-Datenkommunikation verrasten. Die Bedienung ist aufgrund von Beolink MK III beschreiben.

1. Anschluß von 1 Videorecorder:

Anwahl von Quelle, [TV] oder [SAT], danach Eingabe von [RECORD] [RECORD] [SHIFT] 2. Das TV-Gerät ist jetzt auf dem gewählten Programm fest eingerastet. Zum 'Ausrasten' aus dieser Stellung ist die folgende Eingabe erforderlich: [TV] oder [SAT] [SHIFT] 2.

2. Anschluß von 2 Videorecordern (VTR1 und VTR2):

Der Signalweg kann nur mit jeweils einem der Videorecorder verrastet werden.

VTR1:

Anwahl von Quelle, [TV] oder [SAT], danach Eingabe von [RECORD] [RECORD] [SHIFT] 2. Das TV-Gerät ist jetzt auf dem gewählten Programm zur Aufzeichnung auf VTR1 fest eingerastet. Zum 'Ausrasten' aus dieser Stellung ist die folgende Eingabe erforderlich: [V.TAPE] [TV] oder [SAT] [SHIFT] 2.

VTR2:

Anwahl von Quelle, [TV] oder [SAT], danach Eingabe von [SHIFT] [RECORD] [SHIFT] [RECORD] [SHIFT] 2. Das TV-Gerät ist jetzt auf dem gewählten Programm zur Aufzeichnung auf VTR2 fest eingerastet. Zum 'Ausrasten' aus dieser Stellung ist die folgende Eingabe erforderlich: [SHIFT] [V.TAPE] [TV] oder [SAT] [SHIFT] 2.

5-25

REGLAGES, FRANÇAIS

Bang & Olufsen

REGLAGES DE MAINTENANCE, BEOLINK 1000 Amener le téléviseur en MODE DE MAINTENANCE :

Mode de maintenance

- Déposer la face arrière.
- Appuyer sur la touche .
- Court-circuiter brièvement la fiche «MODE DE MAINTENANCE» (P700) au niveau de la carte PCB14.

Le MODE DE MAINTENANCE permet de procéder au réglage suivant:

(Se reporter aux conseils de réparation pour connaître les autres possibilités offertes par ce mode).

Réglages de l'image :

Affichage	Plage de régulation
Rdr Red drive	0-63
Gdr Green drive	0-63
Rcu Red cut off balance	0-63
Gcu Green cut off balance	0-63
BRI Brilliance preset	0-7
COL COLour preset	0-7

Réglages de la géométrie :

Affichage	Plage de régulation
Hfq Horizontal frequency	0-63
Hph Horizontal phase	0-63
Ham Horizontal amplitude	0-63
Vam Vertical amplitude	0-63
Vsc Vertical S correction	0-63
Vsh Vertical shift (centrage)	0-63
Vli Vertical liniarity	0-63
EWc EW corner	0-63
EWp EW parabola	0-63
EWt EW tilt	0-63

Remise à l'état initial

Amener la luminosité, la saturation des couleurs et le contraste sur leur valeur nominale :

- BRILLIANCE 32	<input type="button" value="PICTURE"/>	<input type="button" value="▲"/>	<input type="button" value="▼"/>
- COLOUR 32	<input type="button" value="PICTURE"/>	<input type="button" value="▲"/>	<input type="button" value="▼"/>
- CONTRAST 44	<input type="button" value="PICTURE"/>	<input type="button" value="▲"/>	<input type="button" value="▼"/>

Mémoriser les valeurs dans le téléviseur en appuyant sur les touches . Il est ainsi possible de les rappeler en appuyant sur la touche ou sur (Beolink 1000, version III) voir page 5-36.

Commande en MODE DE MAINTENANCE

<input type="button" value="◀"/>	<input type="button" value="▶"/>	Déplacement pas à pas dans le menu
<input type="button" value="◀"/>	<input type="button" value="▶"/>	ou sur
<input type="button" value="▲"/>	<input type="button" value="▼"/>	Modification de la valeur
<input type="button" value="STOP"/>		Sortie du mode de maintenance

Les valeurs sélectionnées sont mémorisées en sortant du MODE DE MAINTENANCE.

Avec le Beolink 1000, la régulation des surfaces sonores et images fonctionne en MODE DE MAINTENANCE.

En règle générale, les réglages suivants mettent en oeuvre une mire couleur.

Bang & Olufsen

5-26
REGLAGES, FRANÇAIS

- Preset**
- Préréglage (niveau de référence) de la luminosité et de la saturation des couleurs.
- Régler la luminosité et la saturation des couleurs sur leur valeur nominale **RESET** ou **SHIFT** **MUTE**, Beolink 1000, version III.
 - Amener le téléviseur en MODE DE MAINTENANCE.
 - Régler la luminosité (BRI) pour obtenir une composante lumineuse correcte dans l'image (en générale, 5).
 - Régler la saturation des couleurs (COL) pour obtenir une saturation correcte (en général, 4).
- Cut-off balance**
- Régler la luminosité sur la valeur nominale **RESET** ou **SHIFT** **MUTE**, Beolink 1000, version III.
 - Régler la saturation des couleurs sur "0".
 - Amener le téléviseur en MODE DE MAINTENANCE.
 - Régler la balance de coupure des signaux rouge et vert (Rcu) et (Gcu) jusqu'à ce que les champs foncés de la mire deviennent incolores.
- Drive**
- Régler la luminosité sur la valeur nominale **RESET** ou **SHIFT** **MUTE**, Beolink 1000, version III.
 - Régler la saturation des couleurs sur "0".
 - Amener le téléviseur en MODE DE MAINTENANCE.
 - Régler les signaux chroma rouge (Rdr) et vert (Gdr) pour obtenir le blanc de référence correct.
- DEVIATION HORIZONTALE**
Fréquence ligne
- Court-circuiter la borne 5 de 13IC1 à la masse.
 - Sélectionner Hfq en MODE DE MAINTENANCE.
 - Régler la fréquence ligne pour obtenir le défilement horizontal le plus lent possible de l'image.
 - Remédier au court-circuit.
- Parabole est/ouest**
- Sélectionner EWp en MODE DE MAINTENANCE.
 - Régler pour obtenir une géométrie correcte sur les côtés.
- Distorsion est/ouest**
- Sélectionner EWt en MODE DE MAINTENANCE.
 - Régler pour obtenir une géométrie correcte (le centrage vertical s'en trouve affecté).
- Coins est/ouest**
- Sélectionner EWc en MODE DE MAINTENANCE.
 - Régler pour obtenir une géométrie correcte dans les coins.
- Amplitude horizontale**
- Sélectionner Ham en MODE DE MAINTENANCE.
 - Régler pour obtenir l'amplitude correcte.
- Centrage horizontal/"phase"**
- Régler la luminosité (BRILLIANCE) sur la valeur maximale.
 - Sélectionner Ham en MODE DE MAINTENANCE et régler pour obtenir une largeur maximale.
 - Sélectionner Hph et centrer l'image pour qu'elle soit comprise dans le temps de balayage.
 - Sélectionner Ham et régler pour obtenir une largeur correcte.
 - A l'aide de 3S1, centrer l'image du mieux possible.
 - Sélectionner Hph et affiner le réglage.
 - Appuyer sur **RESET** ou **SHIFT** **MUTE**, (Beolink 1000, version III) pour régler la fonction BRILLIANCE sur la valeur nominale.

5-27

REGLAGES, FRANÇAIS

Bang & Olufsen**DEVIATION VERTICALE**
Amplitude verticale

- Sélectionner Vam en MODE DE MAINTENANCE.
- Régler pour obtenir une amplitude correcte.

Linéarité verticale

- Sélectionner Vli en MODE DE MAINTENANCE.
- Régler pour obtenir la linéarité correcte.

Correction S verticale

- Sélectionner Vsc en MODE DE MAINTENANCE.
- Régler pour obtenir une géométrie correcte (la fonction "coin est/ouest" s'en trouve affectée).

Centrage vertical

- Sélectionner Vsh en MODE DE MAINTENANCE.
- Régler pour obtenir un centrage correct (la fonction "distorsion est/ouest" s'en trouve affectée).

Le cas échéant, répéter le procédé de réglage.

NOTICE DE REGLAGE

Sauf indication contraire, le récepteur doit être raccordé à une mire couleur traditionnelle lors des réglages suivants.
Il est impératif d'avoir effectué les réglages de maintenance à l'aide de la télécommande.

Décodeur 39/41 PAL/SECAM/NTSC
Concentration

- Régler la luminosité et la saturation des couleurs sur les valeurs nominales **RESET** ou **SHIFT MUTE**, Beolink 1000, version III.
- Régler le contraste sur la valeur maximale.
- A l'aide du potentiomètre correspondant du module 3, régler pour obtenir une concentration optimale observée à une dizaine de centimètres du bord de l'écran.

Filtre de chrominance 4,43 MHz

- Raccorder une mire PAL (barres de couleurs).
- Raccorder un oscilloscope à 39/41J10 (coordonnées 2C).
- Régler 39/41L1 (coordonnées 1C) sur la fréquence résiduelle de 4,43 MHz du signal.

Osc réf. PLL

- Raccorder une mire PAL (barres de couleurs).
- Court-circuiter 39/41J6 et 39/41J7 (coordonnées 2B).
- Régler 39/41C48 (coordonnées 1B) pour obtenir un défilement minimal des couleurs de la barre.

Il convient également de régler 41C46 en présence d'une FI PAL/NTSC B/G/M.

- Régler 41C46 (coordonnées 1B) à l'image de 41C48. Le téléviseur doit toutefois être raccordé à une mire NTSC M.

Filtre en cloche

- Raccorder une mire SECAM (barres de couleurs).
- Régler 41L22 (coordonnées 2C) pour obtenir une transition optimale dans la barres de couleurs.

Niveau du noir SECAM

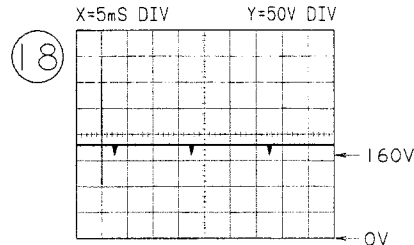
- Raccorder une mire couleurs SECAM présentant une composante noire.
- Raccorder un oscilloscope à la borne 1 de 41IC1.
- Régler 41R65 (coordonnées 1A) pour que le niveau cc du signal soit identique à celui de la valeur de suppression (niveau du noir).
- Raccorder un oscilloscope à la borne 3 de 41IC1.
- Régler 41L25 (coordonnées 1A) pour que le niveau cc du signal soit identique à celui de la valeur de suppression (niveau du noir).
- Répéter le réglage.

Bang & Olufsen

5-28
REGLAGES, FRANÇAIS

Point de coupure (G2)

- Régler la luminosité sur la valeur nominale, **RESET** ou **SHIFT** **MUTE** (Beolink 1000 MK version III).
- Appuyer sur **PICTURE** **MUTE**.
- A l'aide d'un oscilloscope, définir en 3R1, 3R2 ou 3R3 le point de mesure présentant la tension d'impulsion la plus élevée (photo n° 18 de l'oscilloscope).
- A l'aide du potentiomètre G2 (carte PCB3), régler jusqu'à obtenir une tension d'impulsion de 160 Vcc (niveau absolu maximal).
- A l'issue du réglage, appuyer sur **PICTURE** **MUTE**.



Régulation de point de coupure alternative

Il convient de respecter le mode opératoire ci-dessus faisant intervenir un oscilloscope pour obtenir un réglage précis.

- Régler la luminosité sur la valeur nominale **RESET** ou **SHIFT** **MUTE**, Beolink 1000, version III.
- Appuyer sur **PICTURE** **MUTE** et couvrir le 9R17 (LDR).
- A l'aide d'un voltmètre cc ($R_i > 1 \text{ M}\Omega$), mesurer la chute de tension au niveau de 3R1, 3R2 et 3R3.
- Se servir du potentiomètre G2 (module 3) pour obtenir 2 V au niveau de la cellule 3R1, 3R2 ou 3R3 qui présente la plus petite chute de tension.
- A l'issue du réglage, appuyer sur **PICTURE** **MUTE**.

Module 1/38 Tuner & FI CAF

Ne régler qu'en cas de remplacement de 1/38IC4.

- Court-circuiter 1/38R100 (coordonnées 5F).
- Court-circuiter 1/38L13 (coordonnées 3A).
- Raccorder un voltmètre cc à la borne 5 de 1/38IC4 (coordonnées 3B) et régler 1/38L12 (coordonnées 3B) pour obtenir 6V.
- Tourner 1/38R204 (coordonnées 3F) en butée dans le sens anti-horaire.
- Raccorder un voltmètre cc entre les bornes 3 et 6 de 1/38IC9 (coordonnées 4E) et régler 1/38R196 (coordonnées 5E) pour obtenir 0,6V.
- Raccorder un voltmètre cc à la borne 3 de 1/38IC9 (coordonnées 4E) et régler 1/38R204 (coordonnées 3F) pour obtenir 6,3V.
- Remédier aux court-circuits affectant 1/38R100 et 1/38L13.

Porteuse vidéo 38,9 MHz

Ne régler qu'en cas de remplacement de 1/38IC3.

- Raccorder un oscilloscope à la borne 8 1/38IC3 (coordonnées 3C).
- Régler 1/38L11 (coordonnées 3C) pour obtenir une horizontalité maximale du flanc de montée de l'impulsion de synchronisation ligne.

Arrêt syntonisation

Ne régler qu'en cas de remplacement de 1/38IC12.

- Eliminer le signal d'antenne du sélecteur de canaux.
- Raccorder un compteur de fréquences à la borne 5 de 1/38IC12 (coordonnées 2A).
- Régler 1/38R99 (coordonnées 2A) pour mesurer 15625 Hz.

5-29

REGLAGES, FRANÇAIS

Bang & Olufsen

CAG

Ne régler qu'en cas de remplacement de 1/38IC3.

- Appliquer un signal d'antenne B/G ou I.
- Tourner 1/38R56 (coordonnées 4D) en butée dans le sens horaire. Tourner ensuite dans le sens antihoraire pour obtenir une image sans parasites.

Sortie vidéo

- Raccorder un oscilloscope à l'émetteur de 1/38TR17 (coordonnées 2C).
- Régler 1/38R167 (coordonnées 2C) pour mesurer 2 V crête à crête.

Mélangeur "son"

Ne régler qu'en cas de remplacement de 1/38IC3.

- Raccorder un oscilloscope à la borne 5 de 1/38IC3 (coordonnées 3C) ($x = 1 \mu\text{S}$).
- Régler 1/38L9 (coordonnées 3C) pour obtenir un parallélisme optimal entre la crête et le creux du signal.

Séparation des voies

- Appliquer un signal d'antenne présentant une modulation sonore stéréo A2.
- Raccorder un oscilloscope à la borne 14 de 1/38IC2 (coordonnées 1C).
- Régler 1/38R17 (coordonnées 1C) pour obtenir une diaphonie minimale.

Décodeur 47 Picture-in-Picture Osc réf. PLL

- Raccorder une mire PAL (barres de couleurs).
- Court-circuiter 47J1 et 47J2 (coordonnées 4A).
- Régler 47C77 (coordonnées 3B) pour obtenir un défilement minimal des couleurs de la barre.

Il convient également de régler 47C75 en présence d'une FI PAL/NTSC B/G/M.

- Régler 47C75 (coordonnées 4B) à l'image de 47C77. Le téléviseur doit toutefois être raccordé à une mire NTSC M.

Filtre en cloche

- Raccorder une mire SECAM (barres de couleurs).
- Régler 47L5 (coordonnées 3B) pour obtenir une transition optimale dans la barres de couleurs.

Niveau du noir SECAM

- Raccorder une mire couleurs SECAM présentant une composante noire.
- Raccorder un oscilloscope à la borne 1 de 47IC4.
- Régler 47R105 (coordonnées 3A) pour que le niveau cc du signal soit identique à celui de la valeur de suppression (niveau du noir).
- Raccorder un oscilloscope à la borne 3 de 47IC4.
- Régler 47L6 (coordonnées 4A) pour que le niveau cc du signal soit identique à celui de la valeur de suppression (niveau du noir).
- Répéter le réglage.

Bang & Olufsen

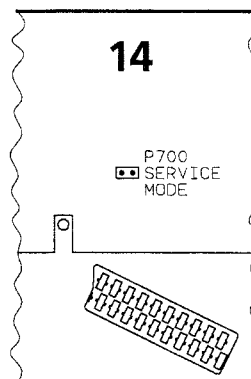
5-30

CONSEILS DE REPARATION, FRANÇAIS

CONSEILS DE REPARATION
Mode de Maintenance

Amener le téléviseur en MODE DE MAINTENANCE :

- Déposer la face arrière.
- Appuyer sur la touche TV .
- Court-circuiter brièvement la fiche «MODE DE MAINTENANCE» P700 située sur la carte PCB14.



Ce mode permet de régler l'image et la géométrie, voir paragraphe REGLAGES DE MAINTENANCE, BEOLINK 1000.

Lecture du type et du numéro de série de l'appareil

3340	00000001	Last error no
Type	Numéro de série	Dernière anomalie

Tube cathodique

Le téléviseur peut mettre en oeuvre 2 modèles de tubes cathodiques : un Philips et un Videocolour.

Le temps de coupure de l'image lors de la mise en marche est différent selon le modèle retenu.

Le modèle Philips demande 7 à 8 secondes, le modèle Videocolour 11 à 12 secondes.

Le temps (7 à 8 ou 11 à 12 secondes) se sélectionne au niveau du MODE DE MAINTENANCE.

- Sélectionner Rdr en MODE DE MAINTENANCE en utilisant les touches << ou >> .
- Appuyer sur 8 pour la fonction 7 à 8 secondes (Philips).
- Appuyer sur 9 pour la fonction 11 à 12 secondes (Videocolour).

Le téléviseur quitte le MODE DE MAINTENANCE et accuse ainsi réception de l'ordre.

Dernière anomalie

Permet de connaître la dernière anomalie éventuelle.

Le téléviseur est doté d'une série de circuits de protection qui deviennent actifs si une anomalie affecte l'appareil. Ils protègent l'appareil contre les dommages qui peuvent apparaître.

Le contrôle porte sur les trois types d'anomalies suivantes.

- Défaillance secteur (p. ex. surcharge d'une tension d'alimentation).
- Anomalie du bus I²C.
- Anomalie de la mémoire EEPROM.

5-31

CONSEILS DE REPARATION, FRANÇAIS

Bang & Olufsen**Lecture**

Last error no = absence d'anomalie

Last error pf = défaillance secteur

Last error 00 jusqu'à FF compris = anomalie affectant le bus I²C.

Last error df = erreur données (défaut éventuel de 6IC6 et de son EEPROM).

Le circuit «Power fail» est un circuit bouclé qui détecte la surcharge éventuelle d'une ou plusieurs stabilisations de tension. Le phénomène est enregistré par le microcalculateur qui commute l'appareil en mode «veille».

Le principe de fonctionnement du circuit est le suivant :

la borne 10 du microcalculateur 6IC2 envoie une tension pulsée.

La borne 12 du microcalculateur 6IC4 reçoit ce signal en l'absence d'anomalies.

En présence d'une surcharge, le circuit d'alimentation surchargé atténue le signal qui ne retourne donc pas à la borne 12.

Ce signal pilote également la mise en circuit du bloc d'alimentation via les cellules 4C62, 4R84 et 4TR19.

Le bloc d'alimentation commute automatiquement en mode «veille» si une anomalie apparaît et empêche l'application de la tension pulsée.

Lors de la mise en circuit, le circuit «power fail» ignore durant 400ms le signal de réaction pour permettre aux diverses stabilisations de tension d'effectuer la régulation. Durant ce laps de temps, il est possible par exemple de localiser la sollicitation de la tension pulsée dans le système «power fail» (se reporter au schéma «power fail», page 2-4).

Le système détectant les anomalies dans le bus I²C est la composante du logiciel qui enregistre les erreurs de communication entre le microcalculateur et les composants pilotés par ce bus.

Si une telle anomalie apparaît, le microcalculateur commute l'appareil en mode «veille».

Le microcalculateur remplace les données manquantes par les valeurs standard stockées dans la mémoire du programme si une anomalie affecte l'EEPROM (6IC6) et qu'il est impossible de transmettre les réglages fondamentaux de l'appareil aux composantes «déviations» et «couleur».

Mise en circuit en ignorant l'anomalie :

En mode «power fail» ou en présence d'une anomalie du bus I²C se traduisant par une commutation du téléviseur en mode "veille" lors de chaque tentative de démarrage, il est possible de mettre le téléviseur en circuit et d'ignorer l'anomalie.

La procédure est la suivante :

- Le téléviseur doit être en mode «veille».
- Court-circuiter la fiche MODE DE MAINTENANCE P700 de la carte PCB14. Le court-circuit doit être constant.
- L'anomalie est imputable à une défaillance secteur si la DEL veille/MARCHE du téléviseur s'allume en orange. Si la DEL s'allume en rouge, nous sommes confrontés à une erreur «données» ou à une anomalie du bus I²C.
- Appuyer sur la touche TV . La DEL s'allume alors en vert.
- Remédier au court-circuit de la fiche MODE DE MAINTENANCE. Le téléviseur démarre en MODE DE MAINTENANCE si cette option est possible.

⇒

Le téléviseur est donc en MODE DE MAINTENANCE mais les anomalies «power fail» et «bus I²C» sont ignorées jusqu'à la prochaine commutation en mode «veille» du téléviseur.

ATTENTION ! Une mise en marche du téléviseur ignorant une anomalie «power fail» peut endommager sérieusement l'appareil (la DEL veille/MARCHE s'allume en orange).

Anomalie du bus I²C

Une telle anomalie signifie que la communication au niveau du bus est défaillante car le microcalculateur essayait de communiquer au niveau de cette adresse. Dans la majorité des cas, un tel phénomène matérialise la défectuosité du composant correspondant. Mais il est également envisageable que le défaut soit imputable à un autre composant qui a perturbé la communication effectuée au niveau de l'adresse répertoriée comme «last error».

Adresses en cas d'anomalie du bus I²C :

Last error

4E 1/38IC6, sélecteur de canaux et extenseur de porte FI.

84 1/38IC2, décodeur stéréo A2.

40 31IC7, décodeur stéréo NICAM.

42 39/41IC5, convertisseur N/A apparié aux fonctions CUT-OFF et DRIVE.

22 37IC2, contrôleur vidéotex.

8C 13IC2, contrôleur de déviation.

82 14IC1, contrôleur «son».

86 14IC9, sélecteur vidéo.

Il convient de corriger le message pour visualiser «Last error no» après avoir remédié au défaut signalé. Y procéder en appuyant sur ou (ou).

Lecture de la version du logiciel :

Le téléviseur ne doit pas être en MODE DE MAINTENANCE.

Appuyer sur les touches :

ou

.

Recherche des pannes dans le circuit CAF

Une anomalie dans les circuits CAF des cartes PCB1/38 «Tuner & IF» se traduit généralement par une recherche de canal dans les parties supérieures ou inférieures de la plage de sélection, ou par l'impossibilité du téléviseur de capter la fréquence adéquate quand l'opérateur essaie de se caler sur une fréquence.

Les directives suivantes peuvent être suivies lors de la recherche des pannes :

- Raccorder un signal d'antenne.
- Court-circuiter 1/38R100 (coordonnées 5F).
- Court-circuiter 1/38L13 (coordonnées 3A). Le CAF est alors hors circuit.
- Appuyer sur pour sélectionner une fréquence.
- Appuyer une nouvelle fois sur et vérifier que la fonction «FINE TUNE» est réglée sur la valeur moyenne.
- Raccorder un voltmètre cc à la borne 5 de 1/38IC9 (coordonnées 4E). La tension mesurée à la borne 5 doit être de $6 \pm 0,3$ V.
L'anomalie se situe au niveau de 1/38IC4 ou dans les composants voisins si la tension n'est pas correcte.
- Si une tension de 6 V est présente à la borne 5, raccorder un voltmètre cc à la borne 3 de 1/38IC9. La tension à cette borne doit être supérieure à 6 V.



5-33

CONSEILS DE REPARATION, FRANÇAIS

Bang & Olufsen

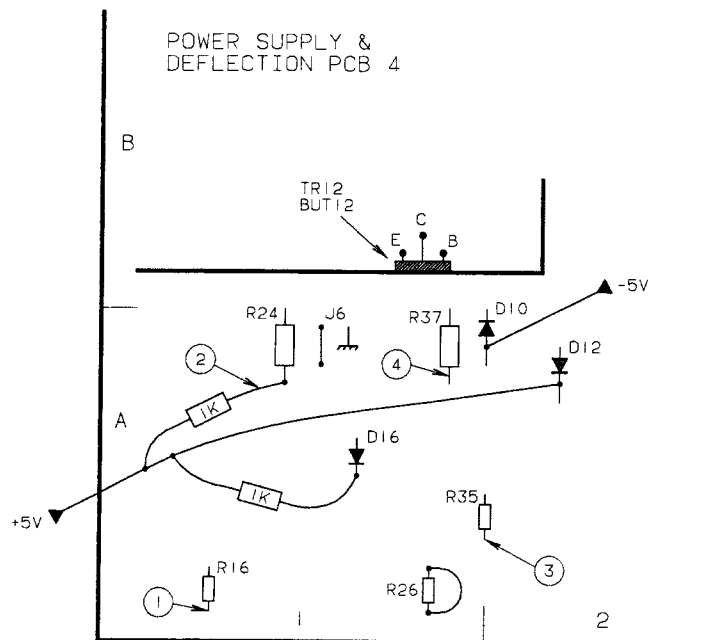
- Raccorder un voltmètre cc à la borne 6 de 1/38IC9. La tension à cette borne doit être inférieure à 6 V.
- L'anomalie se situe au niveau de 1/38IC9, 1/38IC13 ou des composants environnants si les tensions relevées aux bornes 3 et 6 ne sont pas correctes.

Recherches des pannes dans l'alimentation «switch mode power supply»

Il est possible d'appliquer la procédure suivante en cas d'anomalie dans l'alimentation «switch mode power supply» de la carte PCB4, (power supply & deflection) où les composants TR1 et BUT 12 par exemple sont toujours exposés à une anomalie :

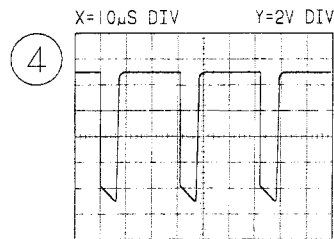
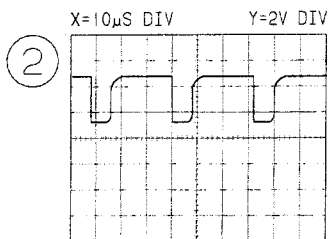
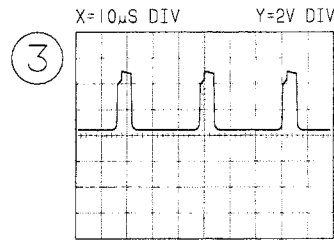
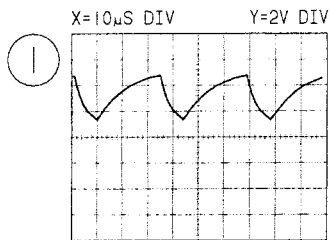
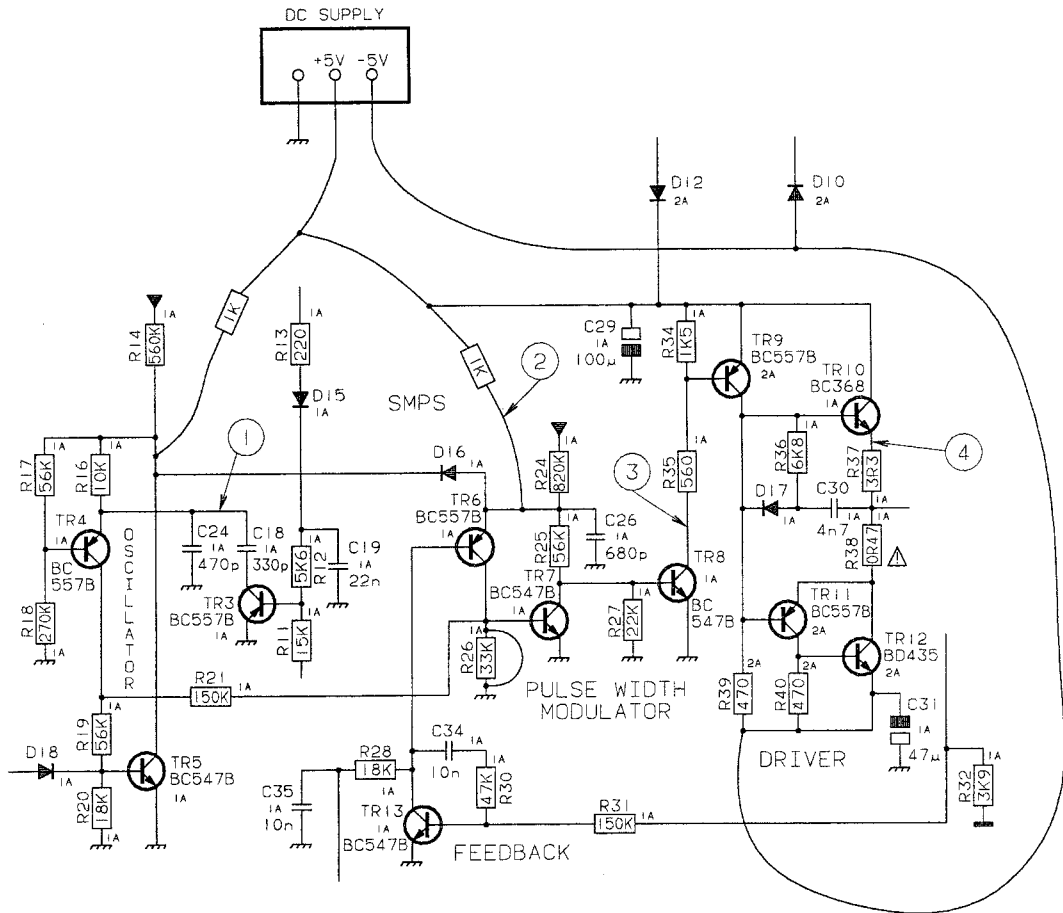
- Couper la tension secteur et déposer le châssis.
- Court-circuiter la jonction base-émetteur de TR7 (R26), fig. 1.
- Souder une résistance de 1 k Ω au point neutre de R24 et R25, fig. 1.
- Raccorder une résistance d'1k Ω à la cathode de D16.
- Souder un fil à l'anode de D10 et le raccorder à la borne négative de l'alimentation continue 5 V, fig. 1.
- Souder un fil à la cathode de D12, souder l'extrémité libre des deux résistances de 1k Ω sur le fil. Raccorder le fil à la borne positive de l'alimentation continue 5 V, fig. 1.
- Raccorder le point neutre de l'alimentation continue équilibrée ± 5 V à J16 (masse), fig. 1, et mettre l'alimentation en circuit.
- Raccorder un oscilloscope aux points ①, ②, ③ et ④, fig. 1 et 2.
- L'alimentation «switch mode power supply» est correcte quand les impulsions relevées sont identiques aux images oscilloscopiques ①, ②, ③ et ④, fig. 1 et 2.

Fig. 1



Bang & Olufsen

Fig. 2

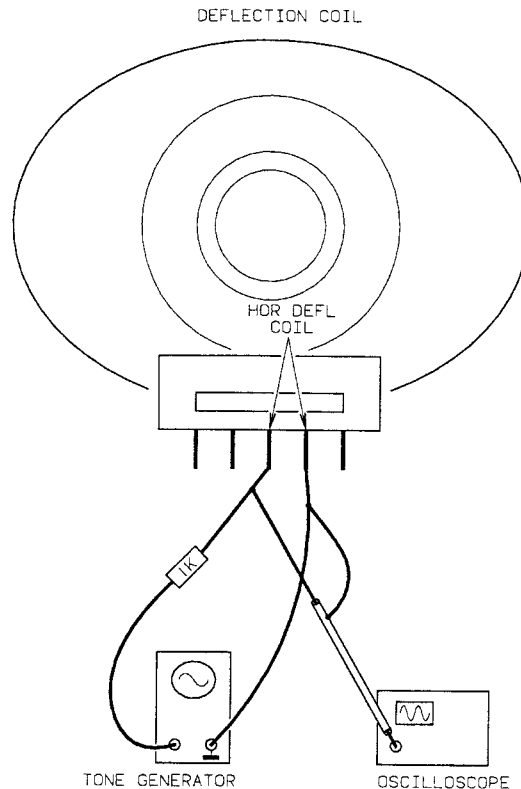


5-35

CONSEILS DE REPARATION, FRANÇAIS

Bang & Olufsen**Mode de recherche des pannes de la déviation horizontale**

- Le téléviseur ne doit pas être raccordé au secteur.
- Raccorder un oscillateur basse fréquence à la bobine de déviation horizontale au travers d'une résistance de 1 k Ω . L'oscillateur doit délivrer un signal sinusoïdal d'env. 43 kHz, 100 mVeff.
- Raccorder un oscilloscope à la bobine de déviation horizontale.



- En modifiant la fréquence de l'oscillateur basse fréquence, vérifier que la fréquence de résonance est de 43 ± 2 kHz.
- La panne peut être imputable à un court-circuitage du transformateur THT 4T1 ou de la bobine de déviation horizontale, voire à une interruption de la cellule 4C102, en présence de fréquences de résonance comprises dans la plage allant de 60 à 90 kHz.

Séparation du circuit est/ouest et déviation horizontale

- En présence d'une image large et déformée : interrompre la liaison allant de la borne 1 de 4L8 à la sortie est/ouest (drain de 4TR35 et anode de 4D77). Le modulateur composé de diodes est en bon état si l'image se réduit et présente une distorsion en coussins.
- Si l'image est étroite et déformée, interrompre la liaison allant de la borne 1 de 4L8 à la sortie est/ouest et court-circuiter la borne 1 de 4L8 à la masse. Le modulateur composé de diodes est en bon état si ces interventions se traduisent par une image large et une déformation en coussins.

Bang & Olufsen

5-36
CONSEILS DE REPARATION, FRANÇAIS

Coupure automatique

Le circuit de coupure automatique compense directement les différences qui apparaissent entre les points de coupure des trois canons à électrons lors de la durée de vie du tube cathodique.

Le réglage de la coupure automatique fait intervenir 39/41IC4, plusieurs composants de la sortie vidéo et le tube cathodique (signaux de réaction R, V et B).

Le niveau cc du signal à la sortie correspondante (borne 1, 3 ou 5) de 39/41IC4 est croissant si un des trois canons à électrons exige une modulation plus importante.

Beolink 1000 MK II



Beolink 1000 MK III



Fonctions OPTIONS & SHIFT OPTIONS

La programmation du téléviseur peut mettre en oeuvre différentes options.

Option 0 = Coupure du récepteur IR du téléviseur.

Option 1 = Localisation des systèmes audio et vidéo (système Beolink) dans la même pièce.

Option 2 = Localisation des systèmes audio et vidéo (système Beolink) dans des pièces différentes.

Option 5 = Maître (le téléviseur réagit aux codes de données IR et aux codes datalink AUX).

Option 6 = Esclave (le téléviseur ne réagit qu'aux seuls codes de données IR).

Option 7 = Autoconfiguration. Le téléviseur commute automatiquement en option 7 = option 6, esclave, s'il est en option 5 et qu'il est couplé à un MCL 2AV. Le téléviseur conserve l'option 6 si le MCL 2AV est débranché du téléviseur. Les options 1 et 2 n'exercent aucune influence sur l'autoconfiguration.



5-37

CONSEILS DE REPARATION, FRANÇAIS

Bang & Olufsen

Exemple de programmation :

Appuyer sur

● PICTURE 1 STORE
 PICTURE 5 STORE = option 1 et 5.

La DEL de veille clignote une fois en appuyant sur STORE. Ce phénomène traduit la bonne réception de l'ordre.

Il est impératif de toujours mettre en oeuvre les options 1 et 2 avec les options 5 ou 6. Le téléviseur est programmé en usine sur les options 1 et 5.

Fonctions SHIFT

Appuyer sur

GOTO SHIFT 3 = Commutation entre les normes BG et L.

Appuyer sur

SHIFT 7 = Analyse non entrelacée.

Appuyer sur

SHIFT 9 = Sélection de l'entrée S-VHS.

Ces fonctions SHIFT sont du type bascule.

Fonction SHIFT 2 :

La fonction SHIFT 2 permet de verrouiller le téléviseur sur le programme sélectionné pour procéder à un enregistrement sur un magnétoscope à communication unidirectionnelle de données. La description de la commande prend pour référence le Beolink 1000 MK III.

1. Raccordement d'un magnétoscope :

Sélectionner la fonction, TV ou SAT, appuyer sur RECORD RECORD SHIFT 2. Cette séquence verrouille le téléviseur sur le programme sélectionné.

Pour déverrouiller la voie du signal, appuyer sur TV ou sur SAT SHIFT 2.

2. Raccordement de deux magnétoscopes (VTR1 et VTR2) :

Il n'est pas possible de caler simultanément la voie du signal sur les deux magnétoscopes.

VTR1:

Sélectionner la fonction, TV ou SAT. Appuyer sur RECORD RECORD SHIFT 2. Cette séquence verrouille le téléviseur sur le programme à enregistrer sur VTR1.

Pour déverrouiller la voie du signal, appuyer sur V.TAPE TV ou sur SAT SHIFT 2.

VTR2:

Sélectionner la fonction, TV ou SAT. Appuyer sur SHIFT RECORD SHIFT RECORD SHIFT 2. Le téléviseur est alors verrouillé pour enregistrer sur VTR2.

Pour déverrouiller la voie du signal, appuyer sur SHIFT V.TAPE TV ou sur SAT SHIFT 2.

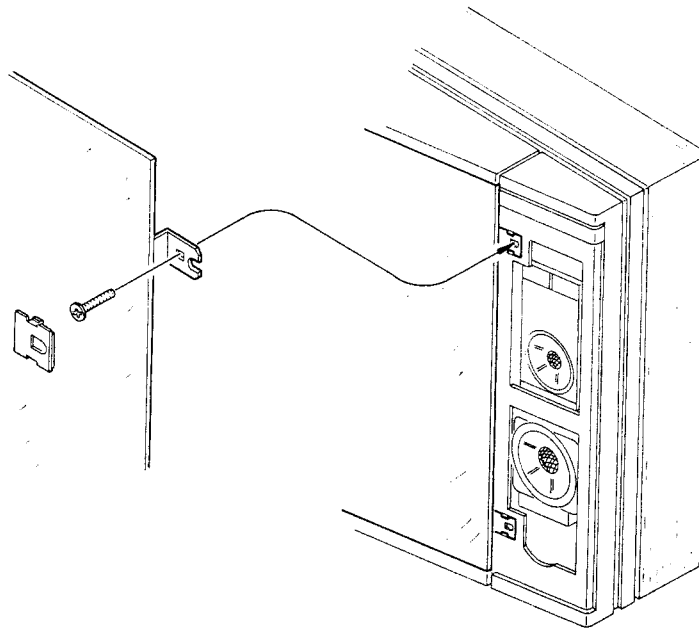
Bang & Olufsen

6-1
DISASSEMBLY

DISASSEMBLY
LX5000/6000
Contrast screen

ZERLEGUNG
LX 5000/6000
Kontrast-Filterscheibe

DESASSEMBLAGE
LX 5000/6000
Ecran à contraste



Remove frame with loudspeaker cloth by first pulling carefully from the bottom, then in the middle and finally from the top.

Remove the four caps, two in each side, using a small flat screw driver.

The screws which hold the screen are now accessible.

Remove the two bottom screws and *one* from the top.

Hold tightly on to the screen while removing the last screw.

Den Rahmen mit Lautsprecherstoff entfernen, dabei zunächst unten vorsichtig nach außen ziehen, danach in der Mitte und zuletzt oben.

Die vier Deckel, jeweils zwei auf jeder Seite, mit einem kleinen flachen Schraubenzieher abnehmen.

Die Schrauben, die den Schirm festhalten, sind jetzt zugänglich.

Die beiden Schrauben unten abnehmen, oben *nur* eine.

Bei der Entfernung der letzten Schraube den Schirm gut festhalten.

Déposer le châssis et les éléments des haut-parleurs en tirant doucement en bas, puis au milieu et enfin en haut.

Enlever les quatre couvercles, deux de chaque côté, avec un petit tournevis plat.

Les vis qui maintiennent l'écran sont maintenant accessibles.

Dévisser les deux vis inférieures et *uniquement* une vis du haut.

Bien tenir l'écran lors du dévissage des vis.

6-2

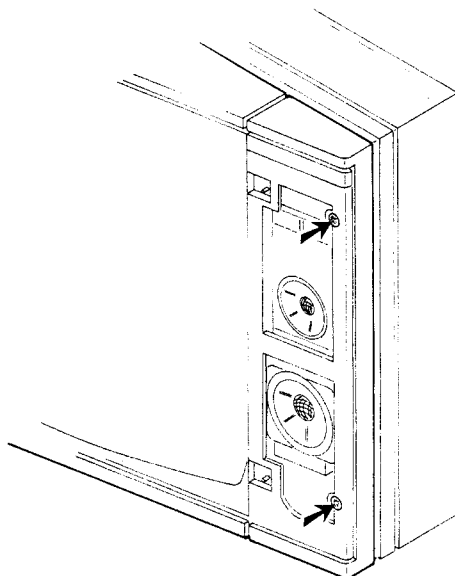
DISASSEMBLY

Front frame
(Access to IR receiver)

Blendrahmen
(Zugang zu IR Sender/
Empfänger)

Bang & Olufsen

Châssis frontal
(Accès à l'émetteur-récepteur
IR)



Remove the contrast screen.

Abbau der Kontrast-Filterscheibe.

Déposer écran à contraste.

Unscrew the two screws illustrated as well the two corresponding screws in the other side, and take off the front frame.

Die beiden abgebildeten Schrauben und die beiden entsprechenden Schrauben an der anderen Seite ausdrehen. Danach läßt sich der Blendrahmen abnehmen.

Enlever les deux vis montrées ainsi que les deux vis correspondantes de l'autre côté. Il est possible de déposer le châssis frontal.

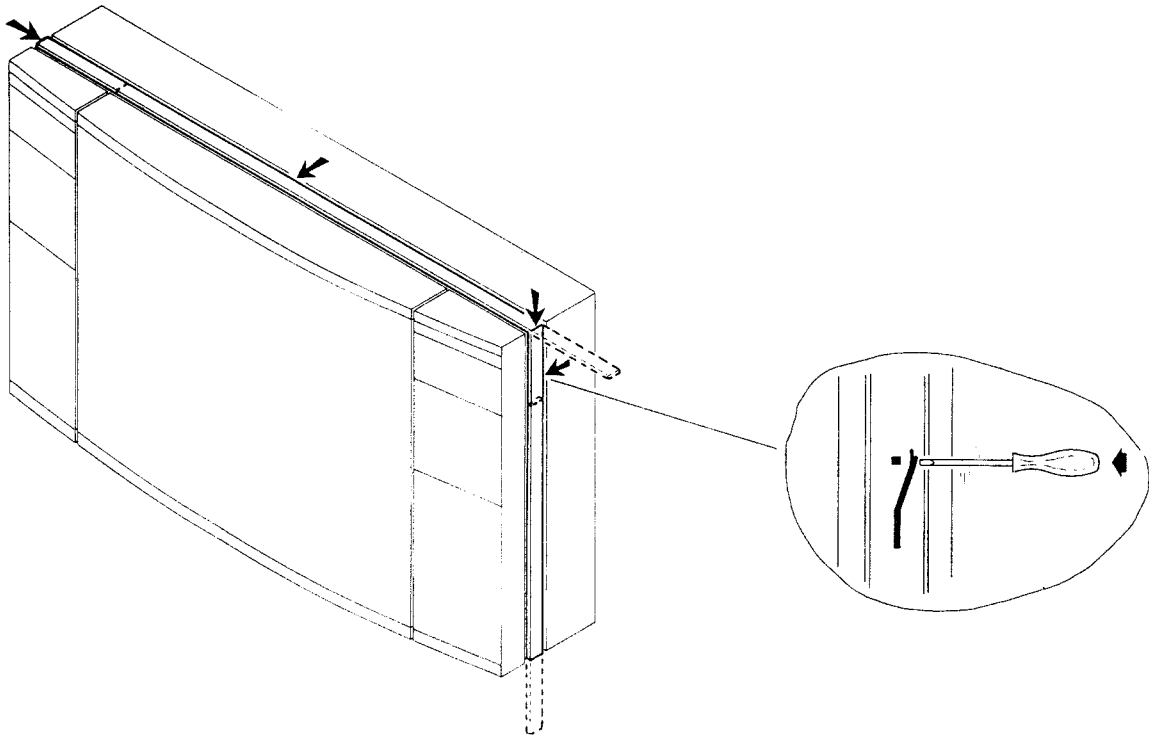
Bang & Olufsen

6-3
DISASSEMBLY

Top list/Side list

Oberleiste / Seitenleiste

Rebord supérieur / rebord latéral



Loosen side lists by releasing lock using a small screwdriver.

Now the side list may be pushed down.

Loosen top list like the side lists.

Push top list towards the right.

Durch Lösen der Verriegelung mit einem kleinen Schraubenzieher, die Seitenleisten lösen.

Nach der Lösung der Verriegelung, läßt sich die Seitenleiste nach unten schieben.

Die Oberleiste wie die Seitenleisten lösen.

Die Oberleiste nach rechts schieben.

Les rebords latéraux s'enlèvent en actionnant le verrou avec un tournevis, à lame étroite.

Il est possible de repousser le rebord latéral vers le bas après avoir actionné le verrou.

Le rebord supérieur se desserre comme les rebords latéraux.

Pousser le rebord supérieur vers la droite.

6-4**DISASSEMBLY****DISASSEMBLY****MX4000**

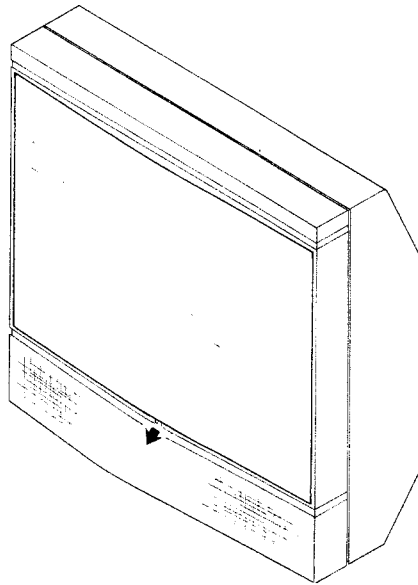
Removal of contrast screen

ZERLEGUNG**MX4000**

Abmontierung der Kontrastfilterscheibe

Bang & Olufsen**DESASSEMBLAGE****MX4000**

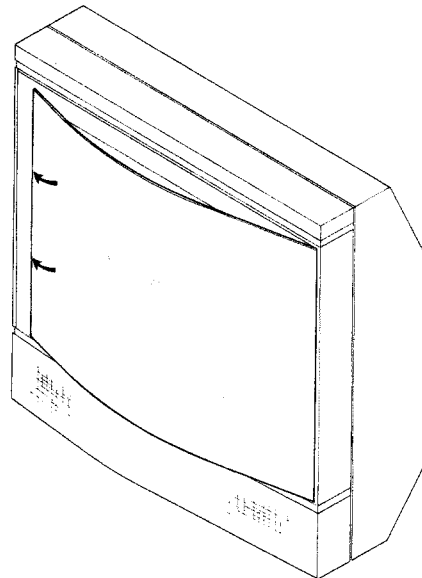
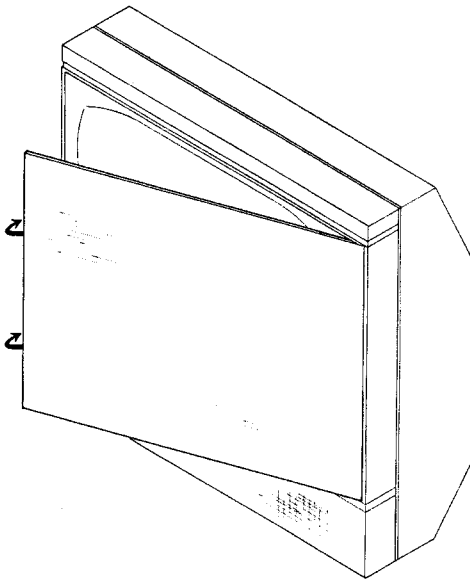
Dépose de l'écran de contraste



Pull the lower edge of the contrast screen outwards.

Die untere Kante der Kontrastfilterscheibe fassen und nach außen ziehen.

Tirer au niveau du rebord inférieur de l'écran de contraste.

Mounting of contrast screen**Montage der Kontrastfilterscheibe****Pose de l'écran de contraste**

Fit the screen into the groove in one of the side panels.

Flex the screen slightly outwards and fit the screen into the groove in the opposite side panel.

Die Kontrastfilterscheibe in der Rille einer der Seitenwände anbringen.

Die Kontrastfilterscheibe leicht nach außen wölben und anschließend in die Rille der gegenüberliegenden Seitenwand einsetzen.

Engager l'écran dans la rainure pratiquée dans un des panneaux latéraux.

Plier l'écran et l'engager dans la rainure pratiquée dans l'autre panneau latéral.

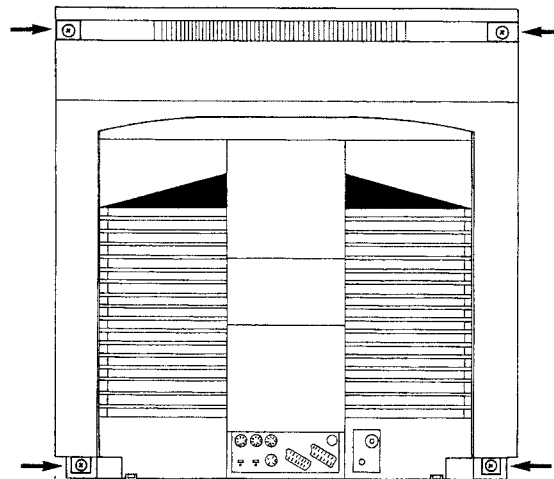
Bang & Olufsen

6-5
DISASSEMBLY

Rear part

Hinterseite

Face arrière



Loosen the 4 screws and then remove the rear part by pulling straight outwards.

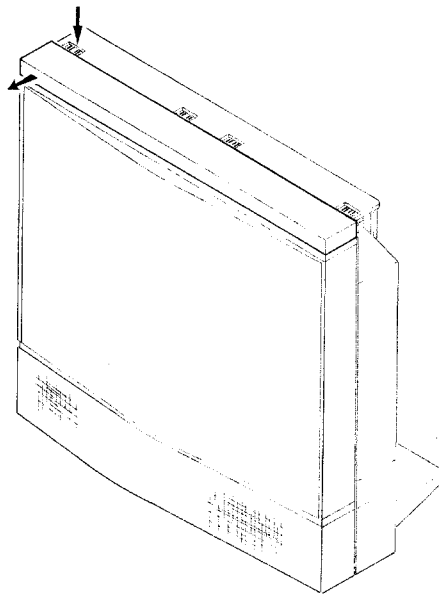
Die vier Schrauben lösen und die Hinterseite ganz gerade herausziehen.

Enlever les quatre vis et tirer la face arrière directement vers soi.

Top panel

Oberteil

Partie supérieure du coffret



Loosen the panel in one side by releasing the lock with a screwdriver.

The top panel can now be removed.

Das Oberteil durch Betätigung der Verriegelung mit Hilfe eines Schraubenziehers an einer Seite lösen.

Das Oberteil lässt sich nunmehr entfernen.

Détacher le coffret sur un côté en ouvrant le verrou avec un tournevis.

Il est alors possible de déposer la partie supérieure du coffret.

6-6

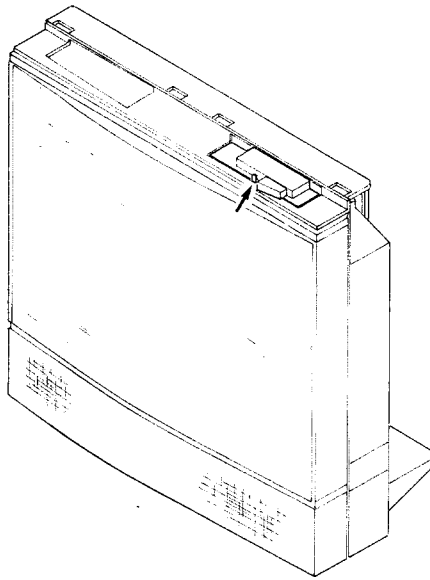
DISASSEMBLY

Bang & Olufsen

PCB 9 IR Transceiver

PCB 9 IR Sender/Empfänger

PCB 9 émetteur-récepteur IR



Release the lock and remove the PCB by lifting it at its front.

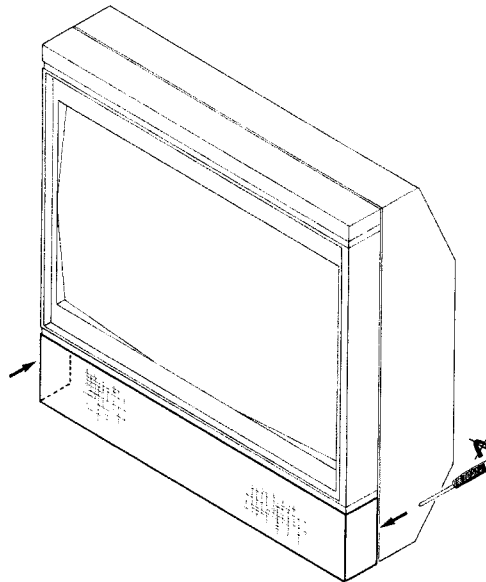
Die Verriegelung lösen und die PCB durch Anhebung an deren vorderen Kante herausnehmen.

Ouvrier le verrou et sortir la PCB en soulevant son rebord antérieur.

Loudspeaker panel

Lautsprecherverkleidung

Bloc haut-parleurs



Carefully insert a screwdriver between the loudspeaker panel and the cabinet in the right-hand side of the set.

Loosen the loudspeaker panel by exerting a light pressure with the screwdriver. Push the loudspeaker panel towards the left.

A light push against the left corner of the loudspeaker panel will now release the panel completely.

An der rechten Seite des Fernsehgerätes vorsichtig einen Schraubenzieher zwischen die Lautsprecherverkleidung und das Gehäuse schieben.

Die Lautsprecherverkleidung mit einem leichten Druck des Schraubenziehers lösen und anschließend nach links schieben.

Mit einem leichten Druck gegen die linke Ecke der Lautsprecherverkleidung diese völlig lösen.

Engager avec précaution un tournevis entre le bloc haut-parleurs et le coffret sur le côté droit du téléviseur.

Enlever le bloc haut-parleurs en appliquant une légère pression sur le tournevis et en poussant vers la gauche.

Séparer complètement le bloc en appuyant légèrement sur le coin gauche du bloc haut-parleurs.

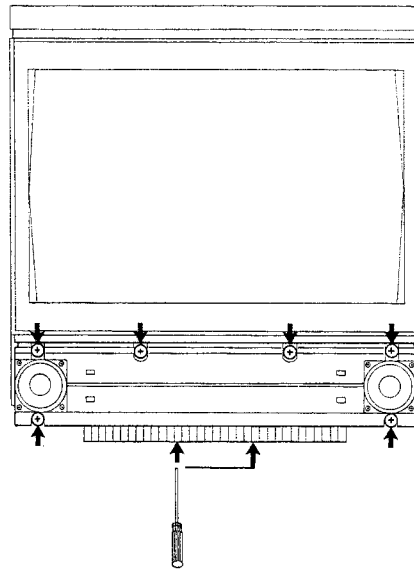
Bang & Olufsen

6-7
DISASSEMBLY

Loudspeaker baffle

Lautsprecherschallwand

Ecran acoustique HP



Remove the 6 screws.

Loosen the loudspeaker baffle by using a screwdriver to release the 2 locks at the base of the set. Then pull the baffle outwards and upwards.

Die sechs Schrauben entfernen.

Die Lautsprecherschallwand durch Betätigung der beiden Verriegelungen am Boden des Gerätes lösen. Anschließend die Lautsprecherschallwand nach vorne und nach oben ziehen.

Enlever les six vis.

Libérer l'écran acoustique HP en ouvrant les deux verrous situés sur le dessous du téléviseur. Tirer, puis soulever l'écran acoustique HP.

6-8

DISASSEMBLY

DISASSEMBLY

MX6000

Removal of contrast screen

ZERLEGUNG

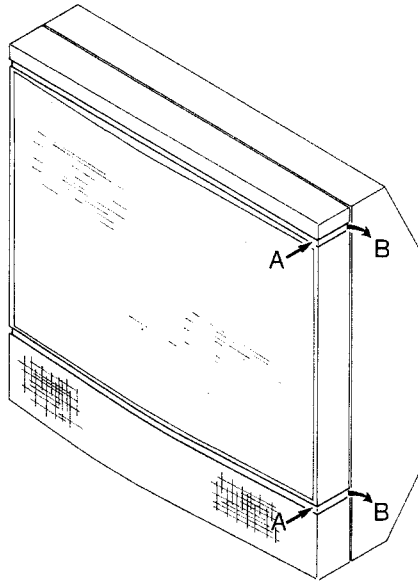
MX 6000

Abnehmen der Kontrastfilter-
scheibe**Bang & Olufsen**

DESASSEMBLAGE

MX 6000

Dépose de l'écran de contraste



Loosen the upper and lower plastic strips by firmly pressing the strips in one side (A) and simultaneously pulling at the end of the strips in the direction of the arrow B. The strips are now loose and can be removed.

Loosen the screw in each of the four corners. The contrast screen can now be removed.

Zum Entfernen der Zierleisten über und unter der Kontrastfilterscheibe die Leiste bei (A) andrücken und gleichzeitig in Pfeilrichtung B herausziehen. Die Leisten können nun losgelöst werden.

In jeder der vier Ecken befindet sich eine Schraube, die gelöst werden muß. Danach ist die Kontrastfilterscheibe frei.

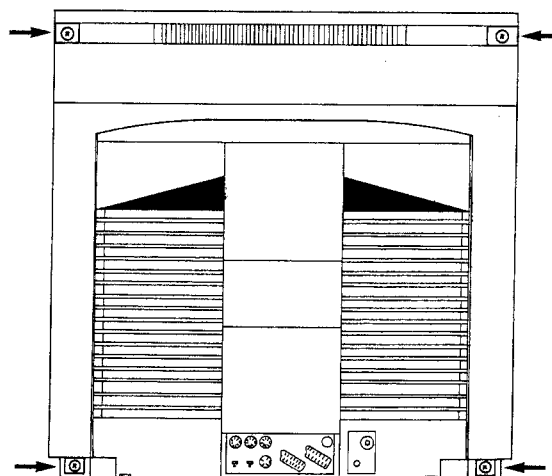
Enlever les bandeaux de décoration bordant les parties supérieure et inférieure de l'écran de contraste. Y procéder en les enfonçant (A) tout en tirant dans le sens de la flèche B. Il est alors possible d'enlever les bandeaux sur tout le pourtour.

Une vis est logée dans chacun des quatre coins. Les dévisser pour déposer l'écran de contraste.

Rear part

Hinterseite

Face arrière



Loosen the four screws and then remove the rear part by pulling straight outwards.

Die vier Schrauben lösen und die Hinterseite ganz gerade herausziehen.

Enlever les quatre vis et tirer la face arrière directement vers soi.

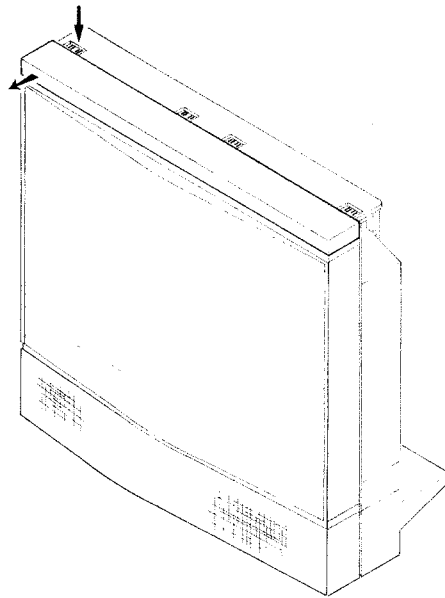
Bang & Olufsen

6-9
DISASSEMBLY

Top panel

Oberteil

Partie supérieure du coffret



Loosen the panel in one side by releasing the lock with a screwdriver.

The top panel can now be removed.

Das Oberteil durch Betätigung der Verriegelung mit Hilfe eines Schraubenziehers an einer Seite lösen.

Das Oberteil läßt sich nunmehr entfernen.

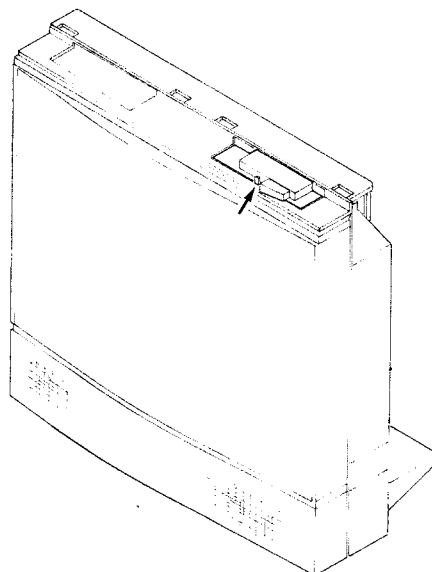
Détacher le coffret sur un côté en ouvrant le verrou avec un tournevis.

Il est alors possible de déposer la partie supérieure du coffret.

PCB 9 IR Transceiver

PCB 9 IR Sender/Empfänger

PCB 9 émetteur-récepteur IR



Release the lock and remove the PCB by lifting it at its front.

Die Verriegelung lösen und die PCB durch Anhebung an deren vorderen Kante herausnehmen.

Ouvrier le verrou et sortir la PCB en soulevant son rebord antérieur.

6-10

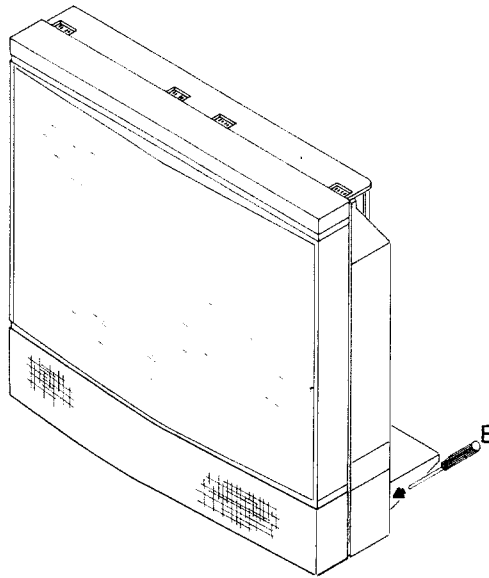
DISASSEMBLY

Bang & Olufsen

Loudspeaker panel

Lautsprecher-Frontbespannung

Bandeau recouvrant les haut-parleurs

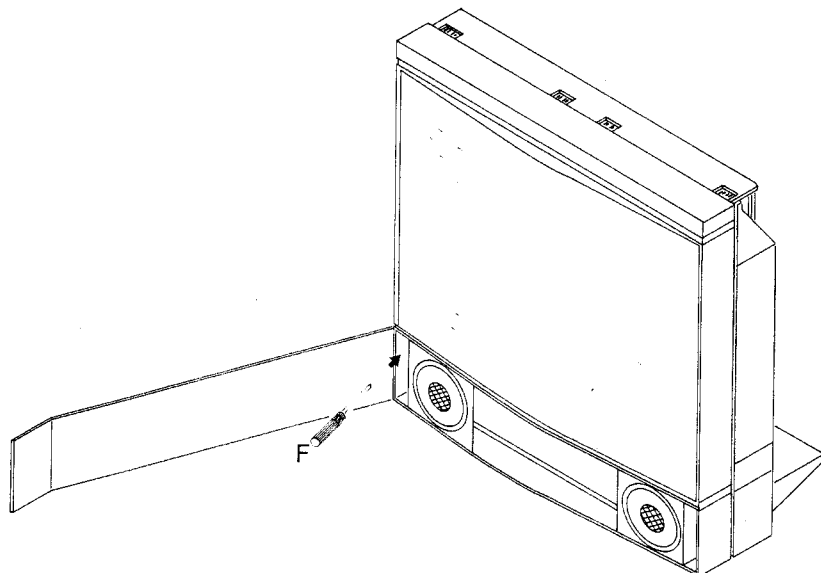


Loosen the panel in the left-hand side (seen from behind) by inserting a screwdriver into the holes in the cabinet (E) to release the locks. Loosen the panel at the front of the set.

Die Frontbespannung an der linken Seite (Rückansicht) lockern, indem die Verriegelungen durch die Löcher im Gehäuse (E) hindurch mittels eines Schraubenziehers gelöst werden. Danach die Frontbespannung entlang der Kante losziehen.

Le bandeau se détache du côté gauche (vu de derrière) en débloquant les verrous à l'aide d'un tournevis engagé dans les orifices du coffret (E).

Tirer ensuite pour ouvrir le bandeau.



To detach the panel in the opposite side, release the locks by inserting a screwdriver between the panel and the cabinet (F).

Die Frontbespannung an der anderen Seite lösen, indem sie von vorne mittels eines Schraubenziehers entriegelt wird, der zwischen der Frontbespannung und dem Gehäuse (F) geschoben wird.

L'autre côté du bandeau se défait en ouvrant par devant les verrous en insérant un tournevis entre le bandeau et le coffret (F).

Bang & Olufsen

7-1 INSULATION TEST

INSULATION TEST

Each set *must* be insulation tested after it has been dismantled. The test is to be carried out when the set has been re-assembled and is ready for delivery to the customer.

The insulation test is carried out in the following way:

Short-circuit the two plug pins of the main plug and connect one of the terminals of the insulation tester. Connect the other terminal of the insulation tester to the chassis pin of one of the loud-speaker sockets.

ISOLATIONSPRÜFUNG

Sämtliche geräte *sind* nach der Zerlegung *einer Isolationsprüfung zu unterziehen*. Diese Prüfung hat zu erfolgen, wenn das Gerät wieder vollständig zusammengebaut ist und an den Kunden ausgegeben werden kann.

Die Isolationsprüfung wird wie folgt durchgeführt:

Die beiden Kontaktstifte des Netzsteckers werden kurzgeschlossen und daraufhin an eines der Terminale der Isolationstestgerätes angeschlossen. Die andere Terminal wird an den Masseanschluß einer der Lautsprechersteckdosen angeschlossen.

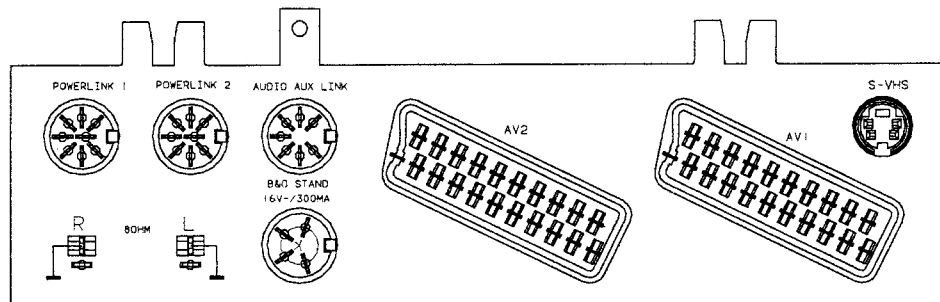
ESSAI D'ISOLEMENT

Tous les appareils *doivent* subir un essai d'isolement après chaque démontage.

L'essai doit s'effectuer lorsque l'appareil est assemblé et prêt remis au client.

L'essai d'isolement s'effectue de la manière suivante:

Les deux broches, à la prise secteur, doivent être court-circuitées, puis connectées sur une des bornes de l'appareil d'essai d'isolement. L'autre borne de l'appareil d'essai d'isolement est couplée à la broche du potentiel de masse d'une des prises des hautparleurs.



NOTE!

To avoid damaging the set, it is essential that both insulator test terminals are in really good contact.

Now turn slowly the voltage control down on the insulation tester until a voltage of 1.5-2 kV is obtained. Hold it there for 1 sec, then turn slowly the voltage down again.

Flashovers are not permitted during the testing procedure.

WICHTIGER HINWEIS!

Zur Vermeidung von Schäden am Gerät ist es wichtig, daß die beiden Terminale des Isolationstestgerätes einen wirklich einwandfreien Kontakt aufweisen.

Es wird jetzt langsam am Spannungsregler des Isolationstestgerätes gedreht, bis eine Spannung von 1,5 - 2 kV erreicht wird. Diese Spannung ist 1 Sekunde lang zu halten, wonach der Spannungsregler wieder langsam zurückgedreht wird.

Es dürfen zu keinem Zeitpunkt während des Prüfvorgangs Überschlüge vorkommen.

REMARQUE!

Pour éviter d'endommager l'appareil, il est important que les deux bornes de l'appareil d'essai d'isolement possèdent un très bon contact.

Tourner lentement le réglage de la tension situé sur l'appareil d'essai d'isolement jusqu'à obtenir une tension de 1,5 - 2kV. Maintenir une seconde sur cette tension, puis diminuer de nouveau progressivement la tension.

Pendant la durée de l'essai, il ne faut, à aucun moment, qu'il se produise un amorçage.

Bang & Olufsen

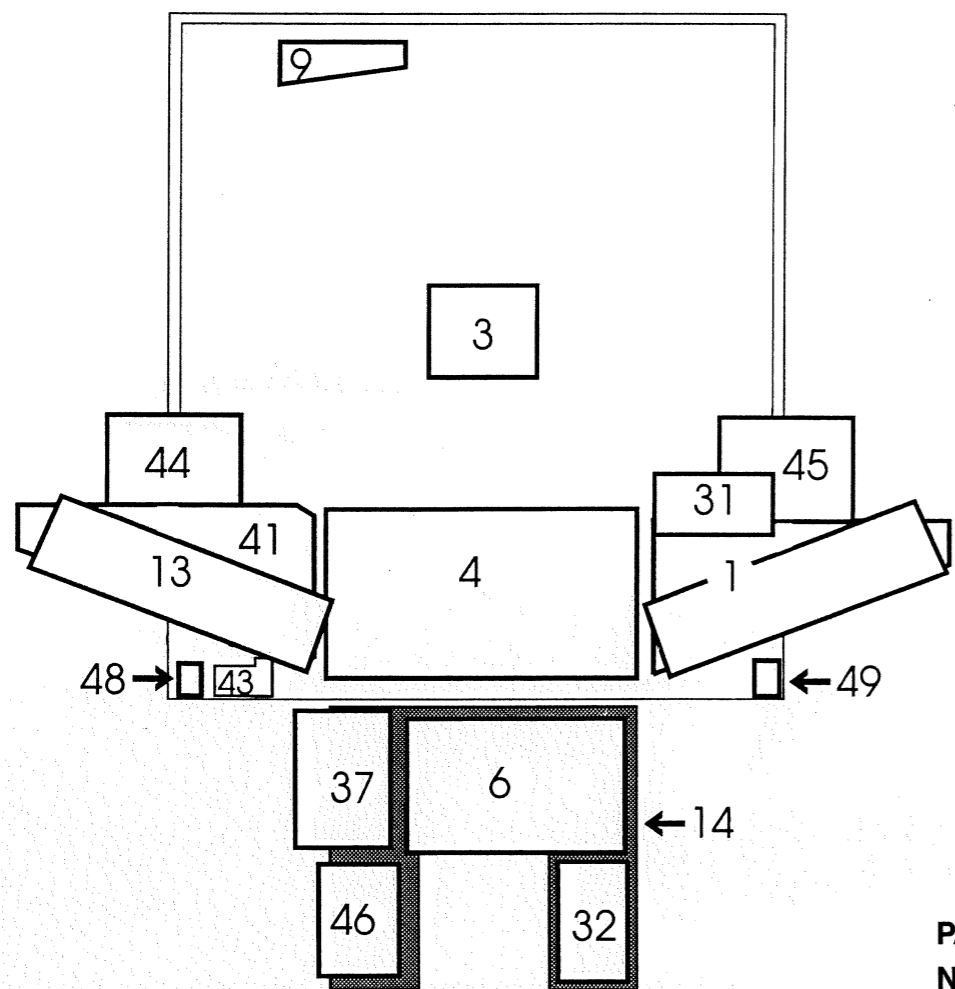
8-1 SURVEY OF MODULES

1 Tuner & IF B/G/L diagram A page 2-9	37 Teletext diagram H page 2-21
3 Video Output diagram C page 9-2	41 Pal/Secam/NTSC Decoder diagram B page 2-11
4 Power Supply & Deflection diagram I page 9-6	43 Headphone diagram L page 9-8
6 Microcomputer 64K diagram F-G page 9-4, 5	44 Power amplifier Right diagram diagram K page 9-7
9 IR Transceiver diagram F page 9-4	45 Power amplifier left diagram L page 9-8
13 Sync Processing diagram H page 2-21	46 Headphone amplifier & Power supply diagram K-L page 9-7, 8
14 Double AV Switch diagram D-E page 9-3, 2-17	48 Led Right diagram K page 9-7
31 Nicam System B/G/I diagram J page 2-24	49 Led Left diagram L page 9-8
32 St By Stabilization diagram F-G page 9-4, 5	

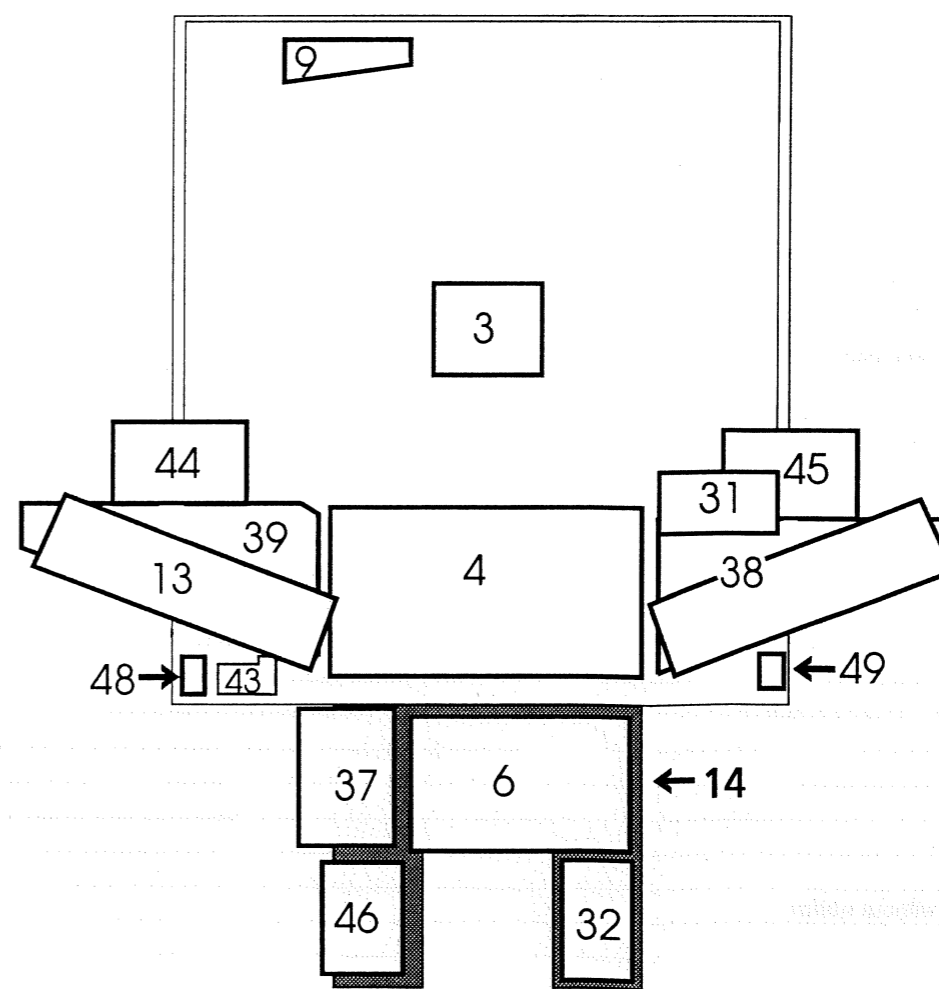
8-1 SURVEY OF MODULES

8-1

3 Video Output diagram C page 9-2	38 Tuner & IF System I diagram A page 2-10
4 Power Supply & Deflection diagram I page 9-6	39 Pal Decoder diagram B page 2-14
6 Microcomputer 64K diagram F-G page 9-4, 5	43 Headphone diagram L page 9-8
9 IR Transceiver diagram F page 9-4	44 Power amplifier Right diagram diagram K page 9-7
13 Sync Processing diagram H page 2-21	45 Power amplifier left diagram L page 9-8
14 Double AV Switch diagram D-E page 9-3, 2-17	46 Headphone amplifier & Power supply diagram K-L page 9-7, 8
31 Nicam System B/G/I diagram J page 2-24	48 Led Right diagram K page 9-7
32 St By Stabilization diagram F-G page 9-4, 5	49 Led Left diagram L page 9-8
37 Teletext diagram H page 2-21	



**PAL/SECAM,
NTSC BGL**



PAL I

8-2

8-2

TECHNICAL SPECIFICATIONS

Bang & Olufsen

TECHNICAL SPECIFICATIONS	MX7000
CTV system	* See type survey
Picture tube (Visual picture)	MX7000 70 cm - 28" (66 cm - 26")
Picture tube system	Flat square, Black Line, Black matrix, In-Line 110 degrees
Cabinets	MX: Red - White - Black - Blue - Grey
Operation	Beolink 1000, one-way Beolink 5000, two-way Beolink 7000, two-way
TV tuner range	46-855 MHz: VHF, S, Hyper, UHF channels *(System I 470-855 MHz: UHF channels)
No. of TV programmes	59 (+5 for local rooms)
Station identification	Station naming/program list
Satellite	*Prepared for Beosat LM
No. of satellite programmes	>99
Signal/noise level	>35 dB/1Vpp and antenna signal >1 mV
Crosstalk between sources	>45 dB/5 MHz
Teletext	FLOF, 6-alphabet
Teletext memory	4 x 59 page nos.
Sound system	*Nicam + A2 stereo decoder + A2 dual language
Speaker system	2 x Bass reflex, (MX 4000 2 x Log Line)
Sound pressure level	96 dB/DEC noise/3 m /stereo/room
Harmonic distortion	<0.25% at 15 watts
Signal/noise ratio	>50 dB weighted 50 mW (Nicam >70 dB)
Frequency range	30-20,000 Hz \pm 1.5 dB
Bass control	\pm 8 dB/100 Hz
Treble control	\pm 8 dB/10,000 Hz
Crossover principle	Active crossover network, 24 dB/octav Linkwitz/Riley
Crossover frequency	4000 Hz
Other data	
Mains voltage	230 volts, 50-60 Hz
Power consumption	95 (75-200) watts
Power consumption Stand-by	3.5 watts
Dimensions W x H x D/Weight	65 x 67.5 x 46.5 cm/40.3 kg

Other specifications see page 1-2

Subject to change without notice

8-3

8-3
TYPE SURVEY8-3
TYPE SURVEY

Bang&Olufsen

*TYPE SURVEY						Mounting modules for modification to other TV transmission systems				
MX7000	System	Colour	Stereo	Remarks		PAL B/G/I	PAL/SECAM B/G/L/I ¹⁾	PAL/SECAM B/G/D/K	PAL/SECAM B/G/L ¹⁾	PAL/SECAM B/G NTSC M
3380	B/G/L ¹⁾	PAL/SECAM	A2	EU			3390452	3390453		8007997
3381	B/G/L ¹⁾	PAL/SECAM	A2+NICAM	EU			3390452	3390453		8007997
3383	I	PAL	NICAM	GB		3390452 +8007449	3390452 +8007449 +8008062	3390453 +8007449 +8008062	8007449 +8008062	8007997 +8008062
3384	B/G/L ¹⁾	PAL/SECAM	A2	Italy			3390452	3390453		8007997
3385	B/G/L ¹⁾	PAL	A2	AUS		3390452 +8007449	3390452 +8007449 +8008062	3390453 +8007449 +8008062	8007449 +8008062	8007997 +8008062
3386	B/G/L ¹⁾	PAL/SECAM	A2	SAT EU			3390452	3390453		8007997
3387	B/G/L ¹⁾	PAL/SECAM	A2+NICAM	SAT EU			3390452	3390453		8007997
3388	B/G/L ¹⁾	PAL/SECAM	A2+NICAM	SAT D2 MAC EU			3390452	3390453		8007997
3389	I	PAL	NICAM	SAT GB		3390452 +8007449	3390452 +8007449 +8008062	3390453 +8007449 +8008062	8007449 +8008062	8007997 +8008062
3390	I	PAL	NICAM	SAT D2 MAC GB		3390452 +8007449	3390452 +8007449 +8008062	3390453 +8007449 +8008062	8007449 +8008062	8007997 +8008062
3392	B/G/L ¹⁾	PAL/SECAM	A2	SAT Italy			3390452	3390453		8007997

¹⁾System L: To receive VHF band 1 system L, the TV has to be fitted with a transposer part no. 1306125 (white) 1306126 (black).

8007449 Tuner & IF system B/G/L PCB.

3390452 Small bag with components to extend 8007449 to system I.

3390453 Small bag with components to modify 8007449 to system B/G/D/K.

8008062 PAL/SECAM/NTSC colour decoder PCB. TV's equipped with 8008062 (PAL/SECAM MODELS) are able to receive NTSC on AV.

8007997 Tuner & IF system B/G/M PCB.

WIRING DIAGRAM

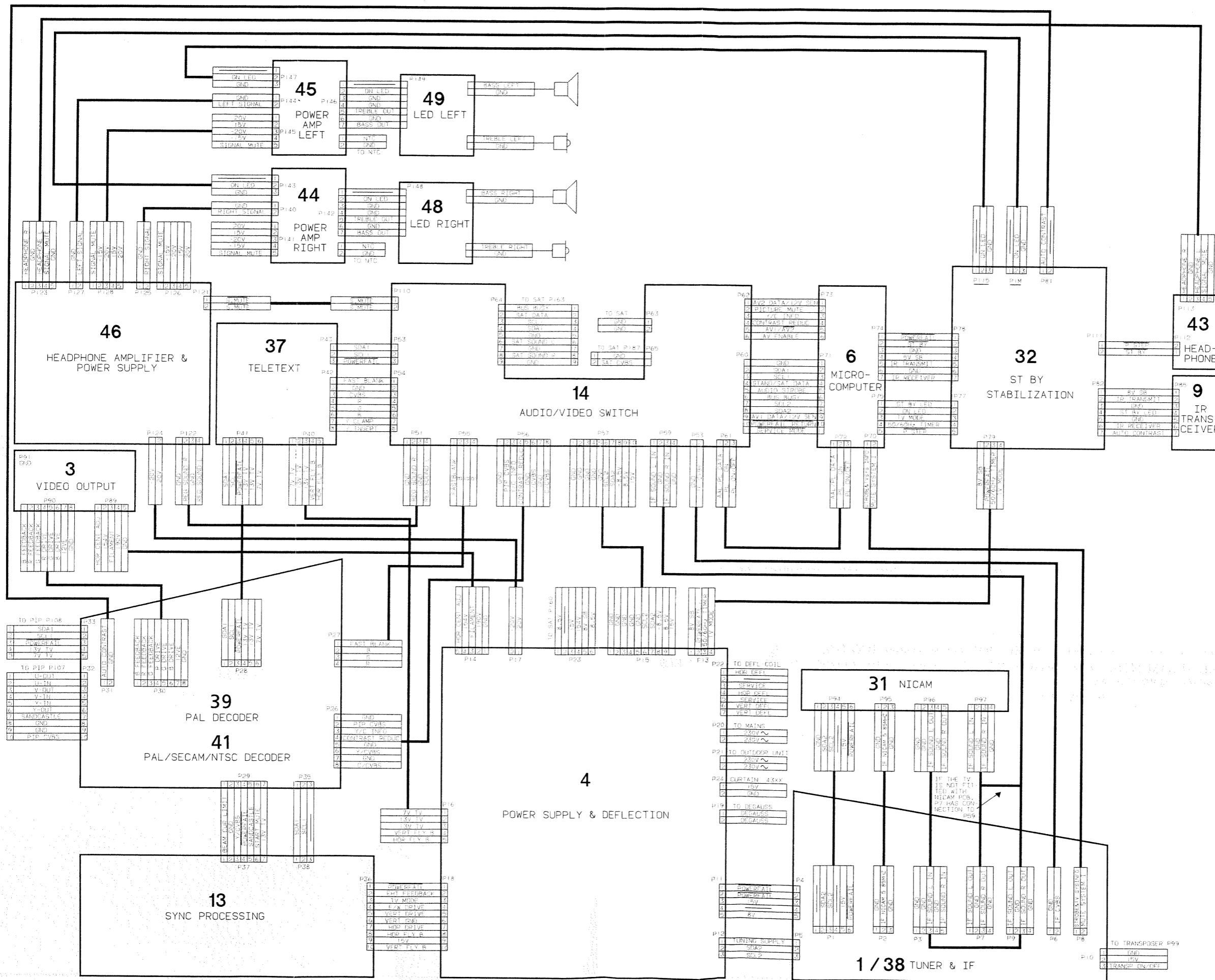


DIAGRAM C VIDEO OUTPUT

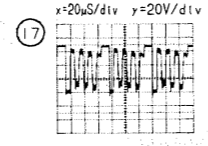
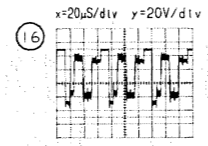
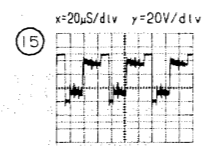
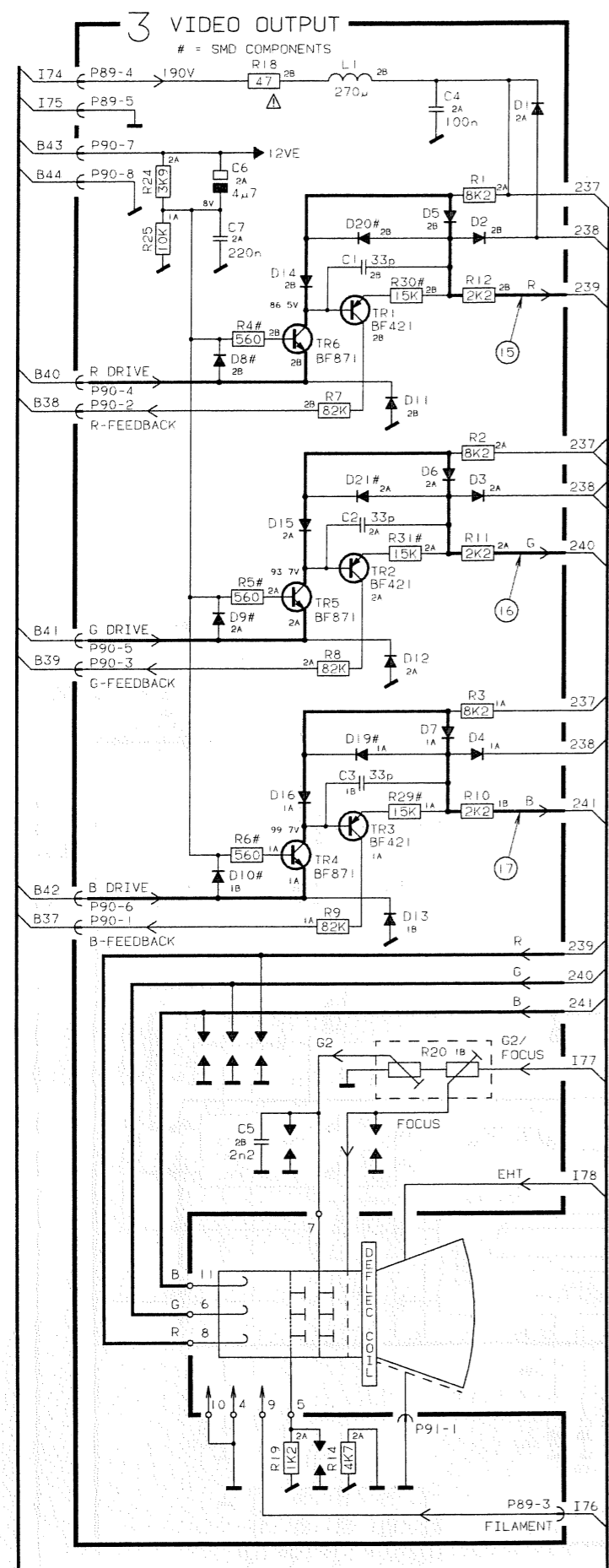


DIAGRAM D SOUND SWITCHING & CONTROL

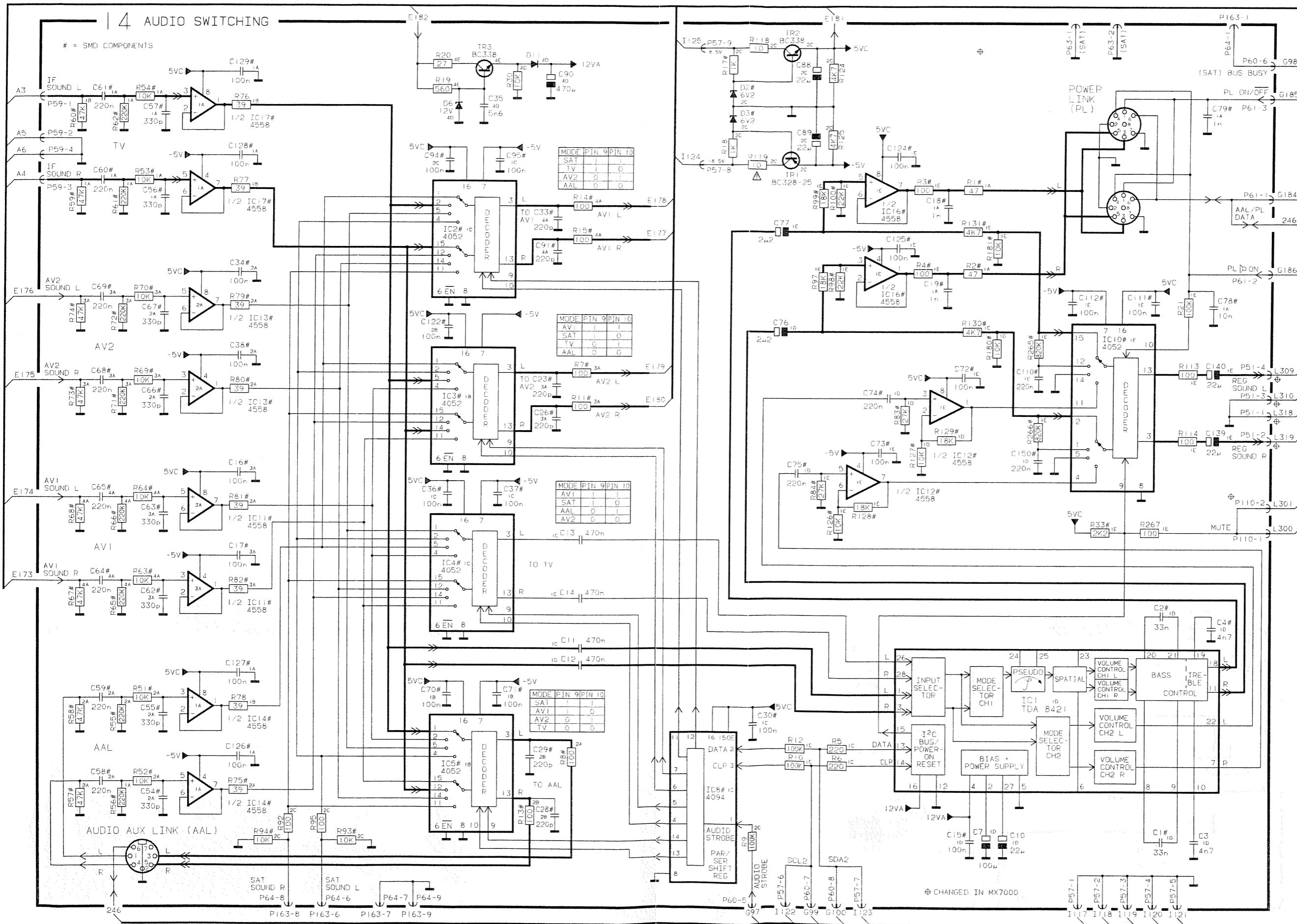


DIAGRAM F IR TRANSCEIVER AND 5V ST BY SUPPLY

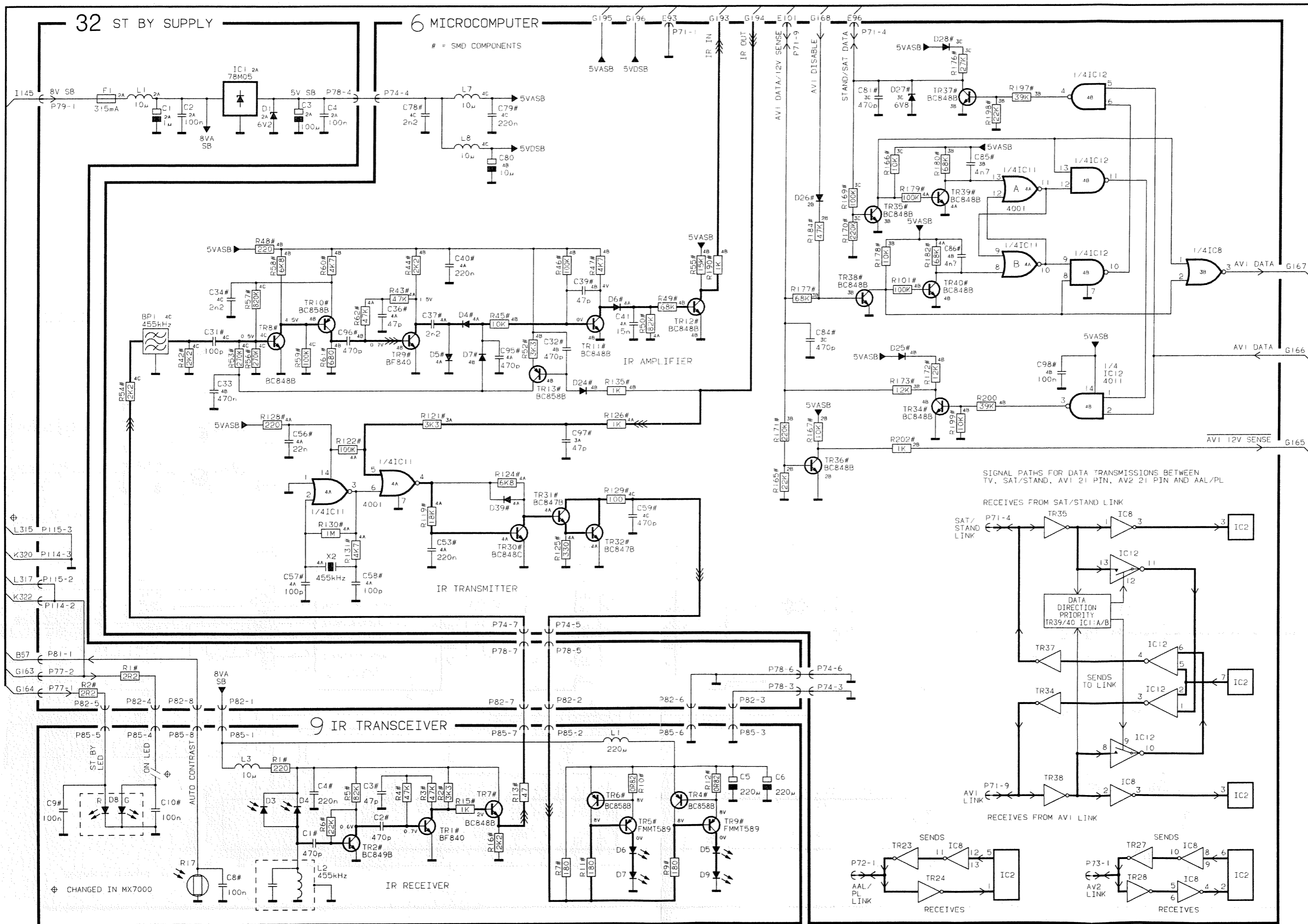


DIAGRAM G MICROCOMPUTER

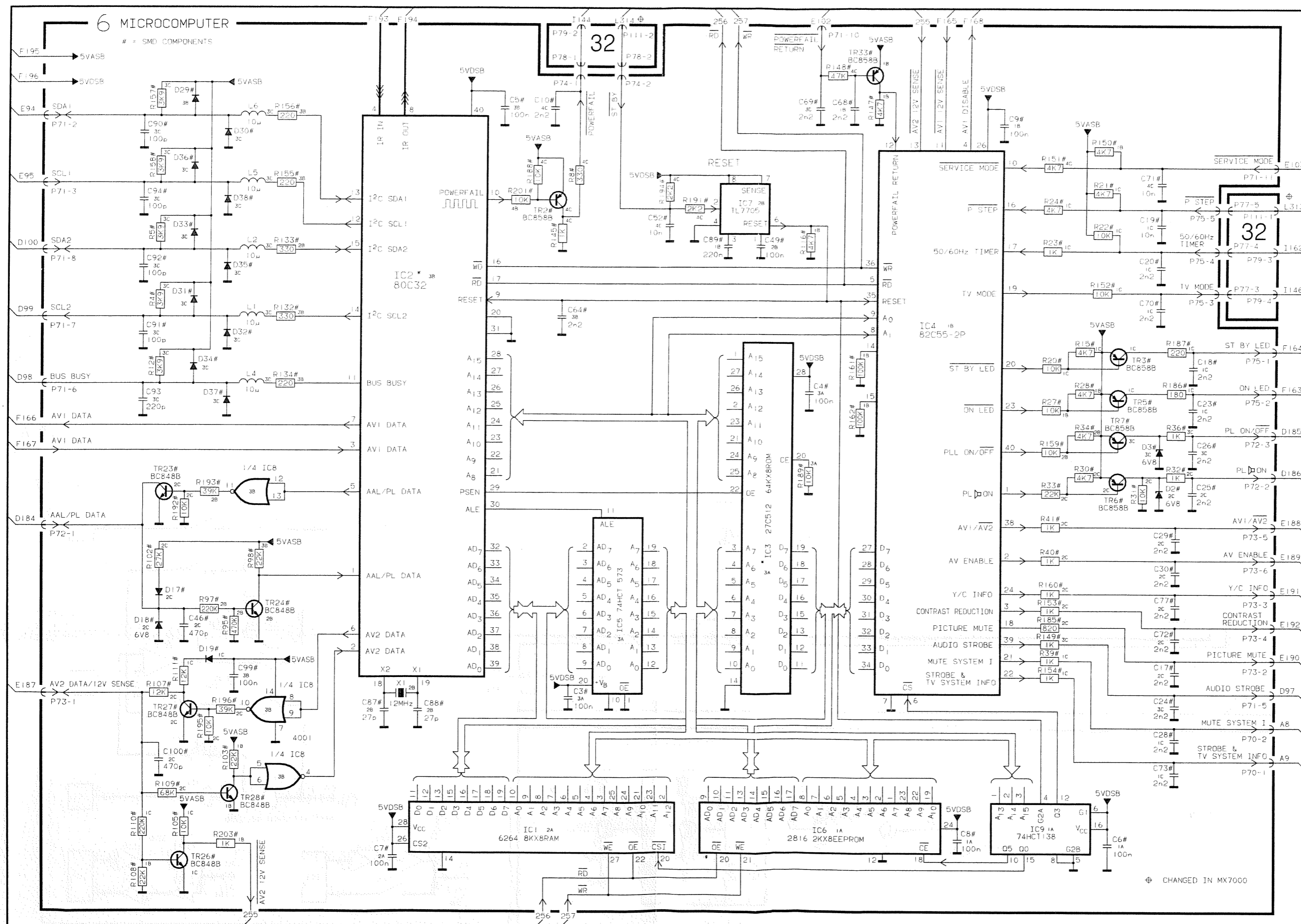


DIAGRAM I POWER SUPPLY & DEFLECTION

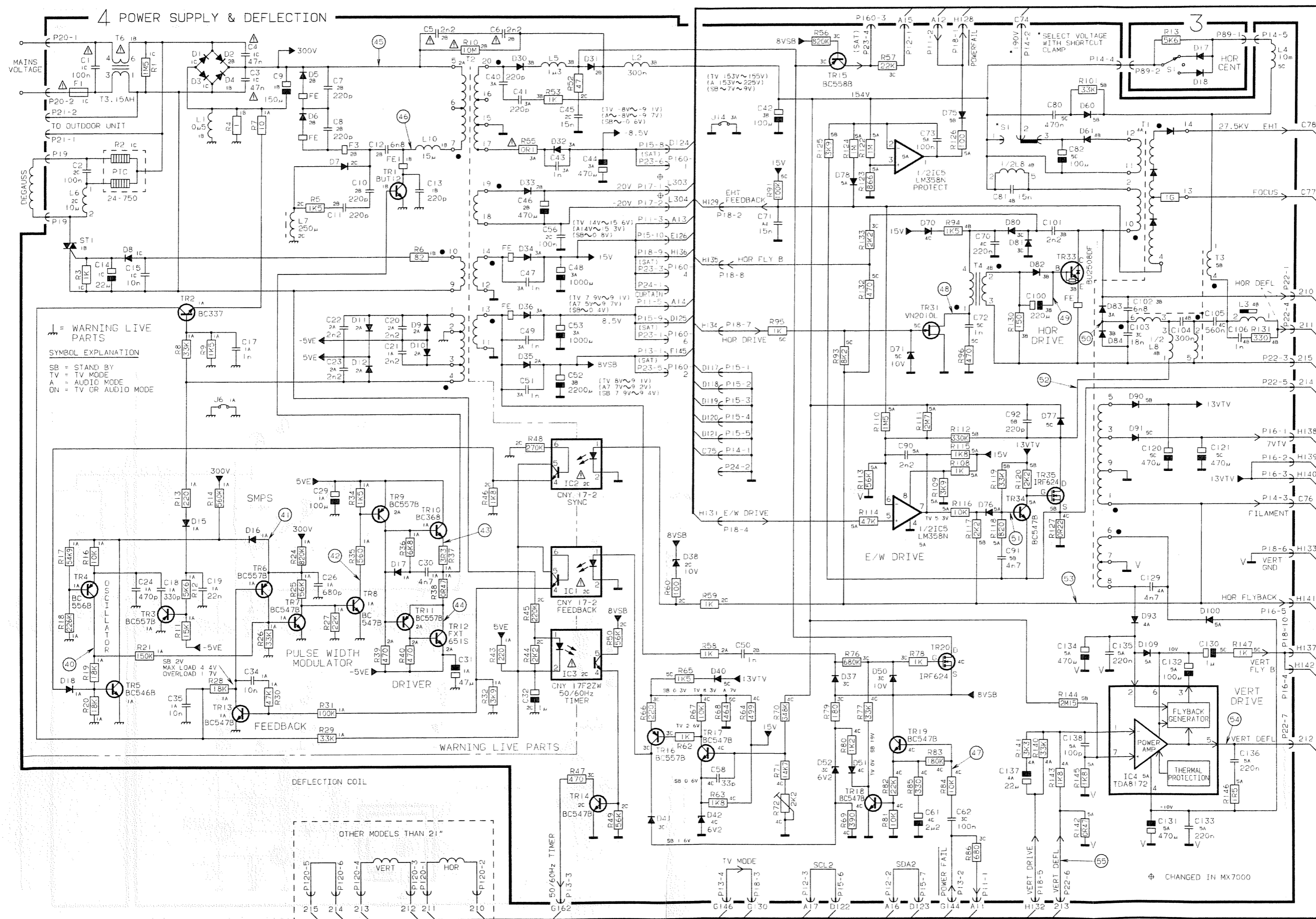


DIAGRAM K POWER AMPLIFIER RIGHT

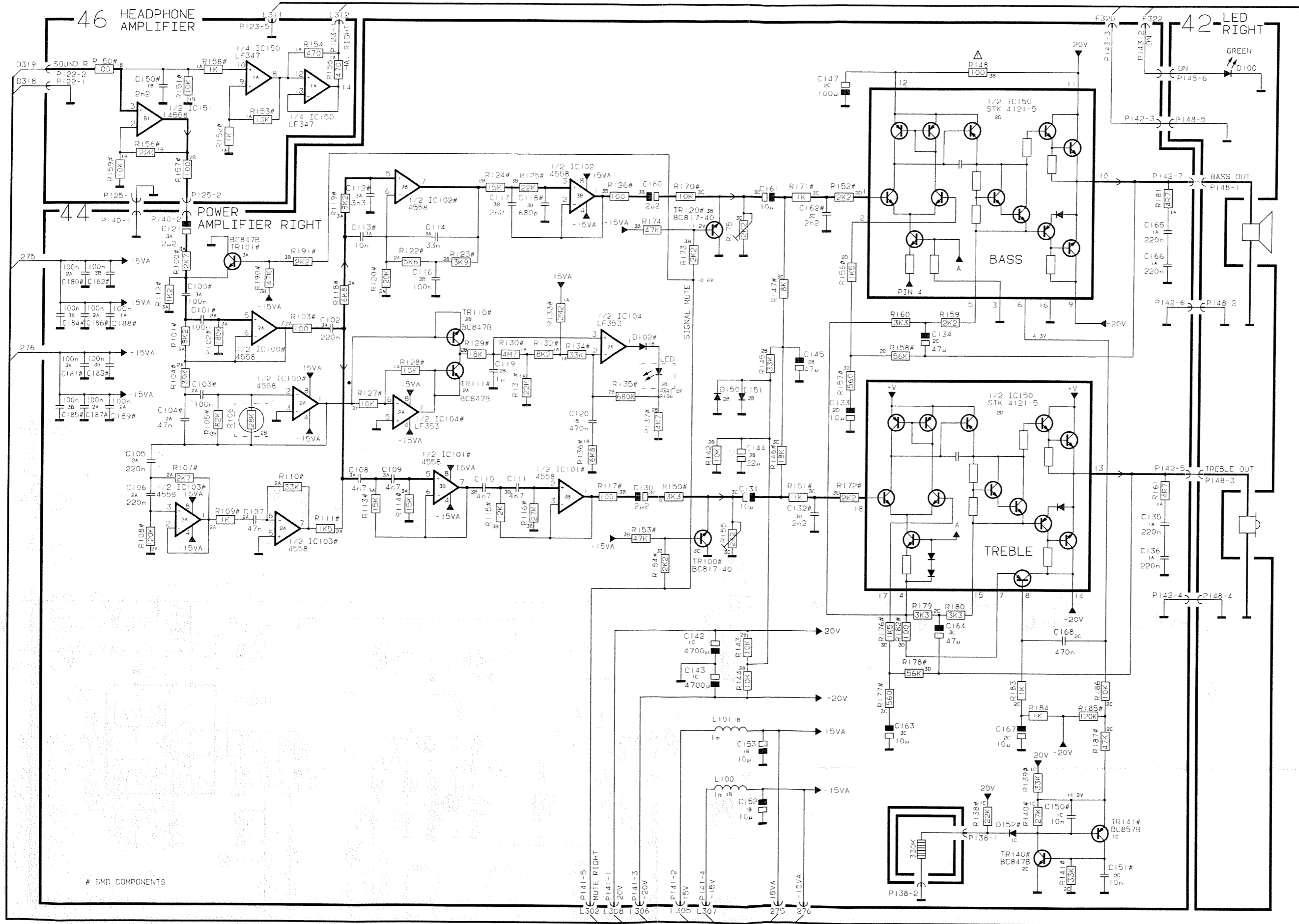
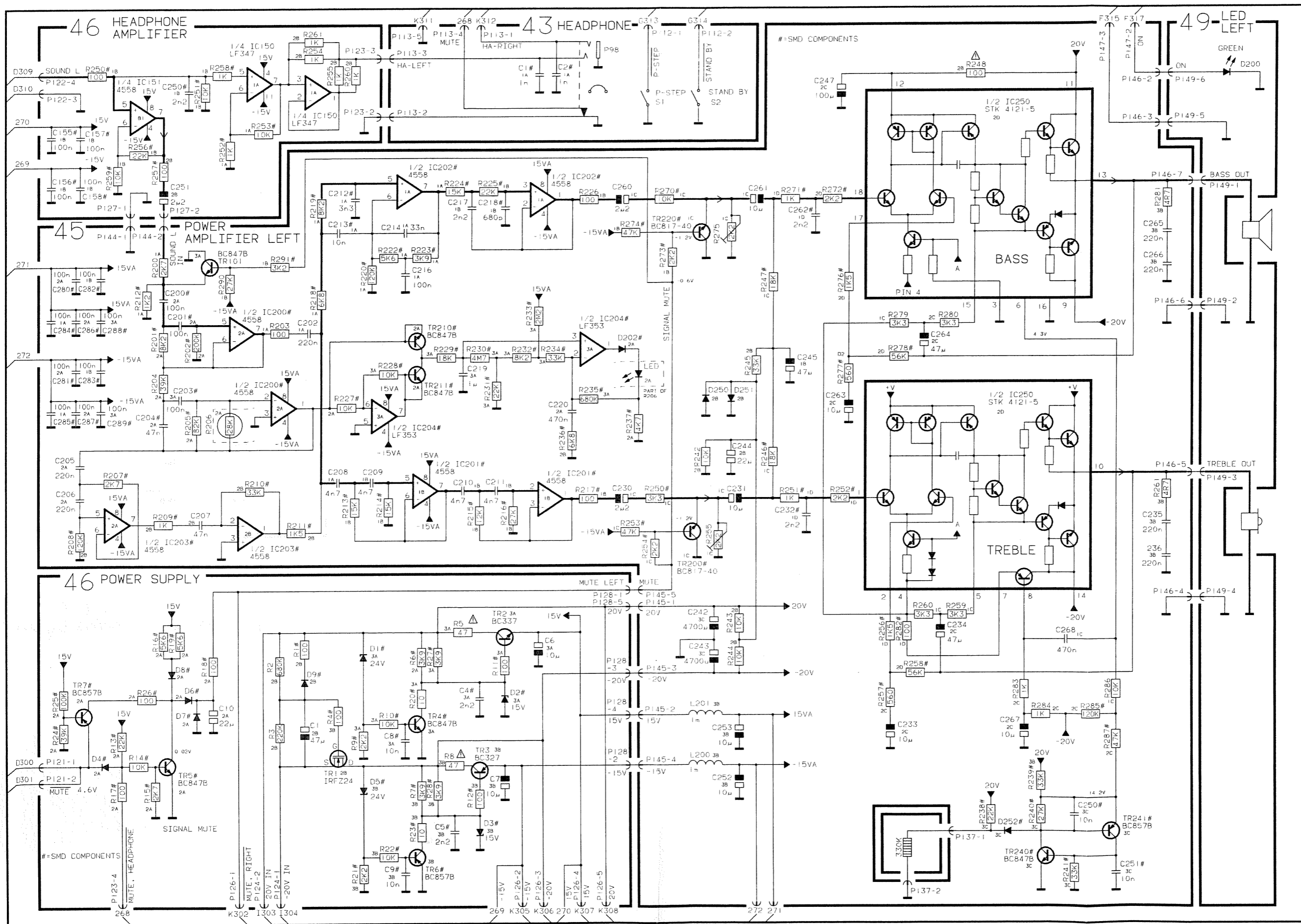


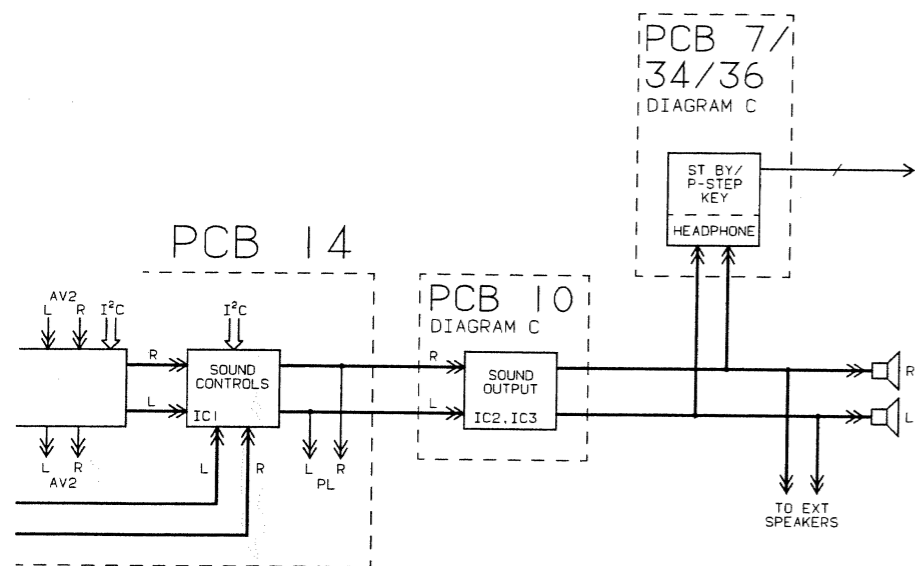
DIAGRAM L POWER AMPLIFIER LEFT



9-9

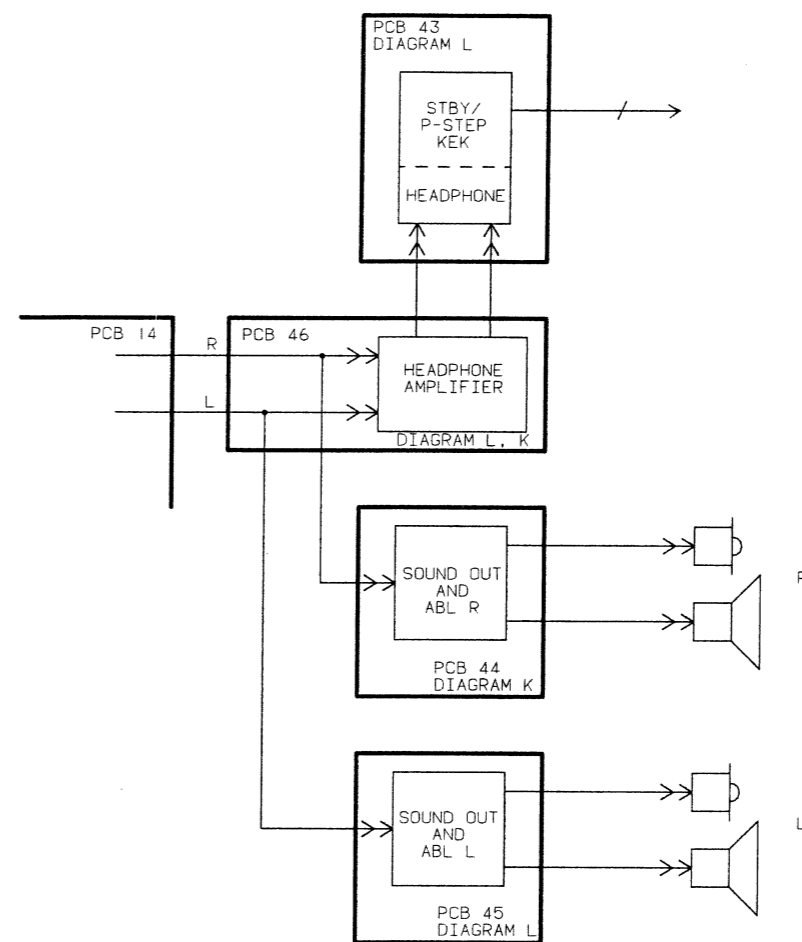
9-9
BLOCK DIAGRAM

PART OF PAGE 2-3



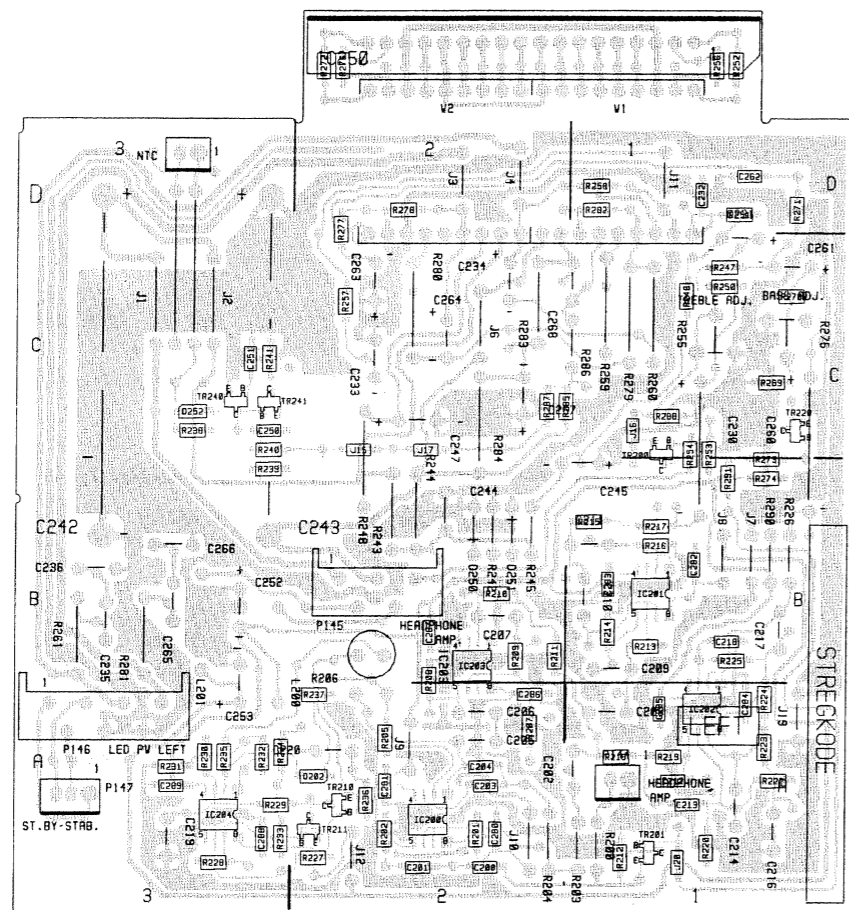
9-9
BLOCK DIAGRAM
MX 7000

Bang&Olufsen



Bang & Olufsen

PCB 45

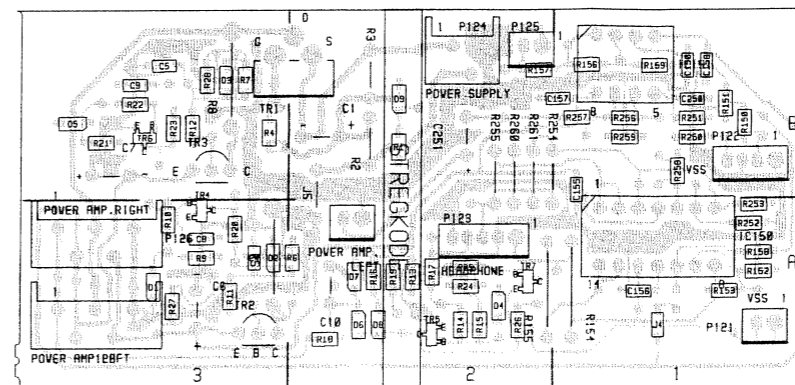


9-10 PCB DRAWINGS

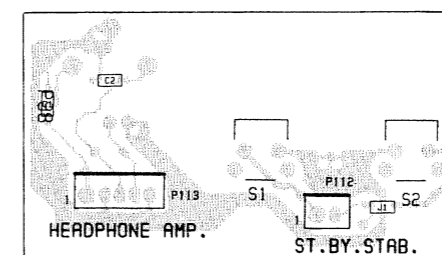
9-10 PCB DRAWINGS

9-10

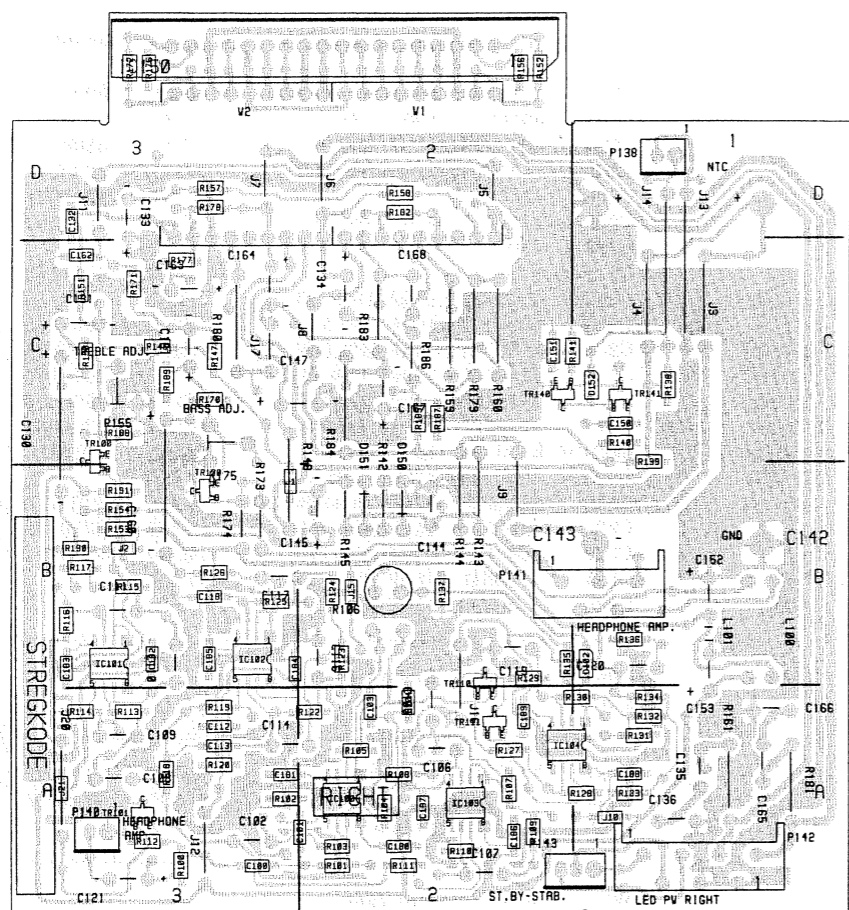
PCB 46



PCB 43

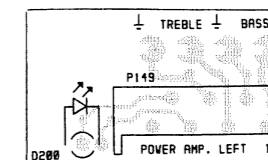
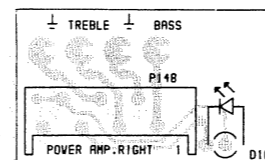


PCB 44



PCB 48

PCB 49



10-1

LIST OF ELECTRICAL PARTS

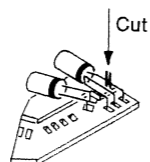
--	--	--	--	--	--	--	--

Resistors not referred to are standard, see page 10-2
 Δ indicates that static electricity may destroy the component

PCB 09, 8008789
 IR Tranceriver

D8 8330236 222 LED

All other electrical parts are identical with 8007789, see page 3-6.



PCB 14, 8008479
 Double AV Switch

P18 3169011 Socketpanel

All other electrical parts are identical with 8007479, see page 3-8.

PCB 43, 8008077
 Headphone

C1- 4010132 1.0nF 10% 50V
 C2

P98 7210802 Socket headphone 3.5mm
 P112 7220709 Plug 2/2
 P113 7220712 Plug 5/5

S1- 7400318 Switch 1pole
 S2

IC100-Δ 8341022 136 4558
 IC103
 IC104Δ 8341033 136 LF353
 IC150Δ 8350088 141 STK4121-5

TR100- 8320752 51 BC817-40
 TR101
 TR110- 8320755 51 BC847B
 TR111
 TR120 8320752 51 BC817-40
 TR140 8320755 51 BC847B
 TR141 8320811 51 BC857B

D102 8300482 250 4148
 D150- 8300779 218 1N4531
 D151
 D152 8300482 250 4148

R106 5210017 LDR/LED coupler
 R130 5011328 4.7mΩ 10% 1/8W
 R143- 5021301 10kΩ 1% 1/8W
 R144
 R148 5020159 100Ω 10% 0.3W
 R155 5370402 2.2kΩ 30% 0.3W
 R175 5370402 2.2kΩ 30% 0.3W

C100- 4110220 100nF 10% 50V
 C101
 C102 4130308 220nF 10% 63V
 C103 4010220 100nF 10% 50V
 C104 4010209 47nF 10% 50V
 C105- 4130308 220nF 10% 63V
 C106
 C107 4130240 47nF 10% 63V
 C108- 4100239 4.7nF 5% 63V
 C111
 C112 4010172 3.3nF 10% 50V
 C113 4010157 10nF 10% 50V
 C114 4130305 33nF 10% 63V
 C116 4130306 100nF 10% 63V
 C117 4010103 2.2nF 10% 50V
 C118 4000326 680pF 5% 50V
 C119 4130399 1μF 10% 63V
 C120 4130234 470nF 10% 63V
 C121 4201174 2.2μF 20% 50V
 C130 4201035 2.2μF -20+50% 63V
 C131 4200826 10μF 20% 16V
 C132 4010170 2.2nF 10% 50V
 C133 4200826 10μF 20% 16V
 C134 4200688 47μF 20% 50V
 C135- 4130233 220nF 20% 63V
 C136
 C142- 4201156 4700μF 20% 40V
 C143
 C144 4200672 22μF 20% 16V
 C145 4200617 47μF 20% 10V
 C147 4200368 100μF -20+50% 63V
 C150- 4010157 10nF 10% 50V
 C151
 C152- 4201173 10μF 20% 50V

PCB 44, 8008066
 Power Amp. right

10-1

LIST OF ELECTRICAL PARTS

10-1

LIST OF ELECTRICAL PARTS

PCB 45, 8008068
 Power Amp. left

Bang & Olufsen

C153
 C160 4201035 2.2μF -20+50% 63V
 C161 4200826 10μF 20% 16V
 C162 4010170 2.2nF 10% 50V
 C163 4200826 10μF 20% 16V
 C164 4200688 47μF 20% 50V
 C165- 4130233 220nF 20% 63V
 C166
 C167 4201173 10μF 20% 50V
 C168 4130313 470nF 20% 63V
 C180- 4010166 100nF -20+80% 50V
 C189

L100 8020747 Coil 1mH 10%
 L101

P138- 7220709 Plug 2/2
 P140
 P141 7220427 Plug 5/5
 P142 7220429 Plug 7/7
 P143 7220710 Plug 3/3

W1- 6200189 Flex cable
 W2

IC200-Δ 8341022 136 4558
 IC203
 IC204Δ 8341033 136 LF353
 IC250Δ 8350088 141 STK4121

TR200- 8320752 51 BC817-40
 TR201
 TR210- 8320755 51 BC847B
 TR211
 TR220 8320752 51 BC817-40
 TR240 8320755 51 BC547B
 TR241 8320811 51 BC857B

D202 8300482 250 4148
 D250- 8300779 218 1N4531
 D251
 D252 8300482 250 4148

R206 5210017 LDR/LED coupler
 R230 5011328 4.7mΩ 10% 1/8W
 R243- 5021301 10kΩ 1% 1/8W
 R244
 R248 5020159 100Ω 10% 0.3W
 R255 5370402 2.2kΩ 30% 0.3W
 R275 5370402 2.2kΩ 30% 0.3W

C200- 4010220 100nF 10% 50V
 C201
 C202 4130308 220nF 10% 63V
 C203 4010220 100nF 10% 50V
 C204 4010209 47nF 10% 50V
 C205- 4130308 220nF 10% 63V
 C206
 C207 4130240 47nF 10% 63V
 C208- 4100239 4.7nF 5% 63V
 C211
 C212 4010172 3.3nF 10% 50V
 C213 4010157 10nF 10% 50V
 C214 4130305 33nF 10% 63V
 C216 4130306 100nF 10% 63V
 C217 4010103 2.2nF 10% 50V
 C218 4000326 680pF 5% 50V
 C219 4130399 1μF 10% 63V
 C220 4130234 470nF 10% 63V
 C230 4201035 2.2μF -20+50% 63V
 C231 4200826 10μF 20% 16V
 C232 4010170 2.2nF 10% 50V
 C233 4200510 10μF 20% 16V
 C234 4200688 47μF 20% 50V
 C235- 4130233 220nF 20% 63V
 C236
 C242- 4201156 4700μF 20% 40V
 C243
 C244 4200672 22μF 20% 16V
 C245 4200617 47μF 20% 10V
 C247 4200368 100μF -20+50% 63V
 C250- 4010157 10nF 10% 50V
 C251
 C252- 4201173 10μF 20% 50V
 C253
 C260 4201035 2.2μF -20+50% 63V
 C261 4200826 10μF 20% 16V
 C262 4010170 2.2nF 10% 50V
 C263 4200826 10μF 20% 16V
 C264 4200688 47μF 20% 50V
 C265- 4130233 220nF 20% 63V
 C266
 C267 4201173 10μF 20% 50V
 C268 4130313 470nF 20% 63V
 C280- 4010166 100nF -20+80% 50V
 C289

L200- 8020747 Coil 1mH 10%
 L201

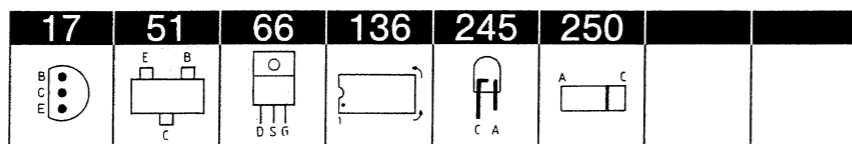
P137- 7220709 Plug 2/2
 P144
 P145 7220427 Plug 5/5
 P146 7220429 Plug 7/7
 P147 7220710 Plug 3/3

W1- 6200189 Flex cable
 W2

Bang & Olufsen

10-2

LIST OF ELECTRICAL PARTS



Resistors not referred to are standard, see page 10-2
Δ indicates that static electricity may destroy the component

PCB 46, 8008064
Headphone Amplifier
and Power Supply

Table listing components for PCB 46, including IC150Δ, IC151Δ, TR1-TR7, D1-D9, R5, R8, C1-C9, and P121-P128 with their respective part numbers and specifications.

PCB 48, 8008070
Led right

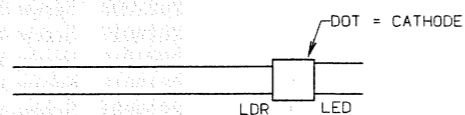
Table listing components for PCB 48, including D1 and P148 with their respective part numbers and specifications.

PCB 49, 8008072
Led left

Table listing components for PCB 49, including D200 and P149 with their respective part numbers and specifications.

PCB 32, 8008083
St by Stabilization

Table listing components for PCB 32, including P111, P114, P115, and a 5220051 NTC 330KΩ resistor.



44R106/45R206

10-2

LIST OF ELECTRICAL PARTS

Standard Resistors:
Resistors 5% 1/2 W

Table of standard resistors with values ranging from 1.0 to 8.2 and multipliers from x1 to x10M.

Resistors 5% 1/4 W

Table of standard resistors with values ranging from 1.0 to 8.2 and multipliers from x1 to x10M.

Resistors 5% 1/8 W

Table of standard resistors with values ranging from 1.0 to 8.2 and multipliers from x1 to x10M.

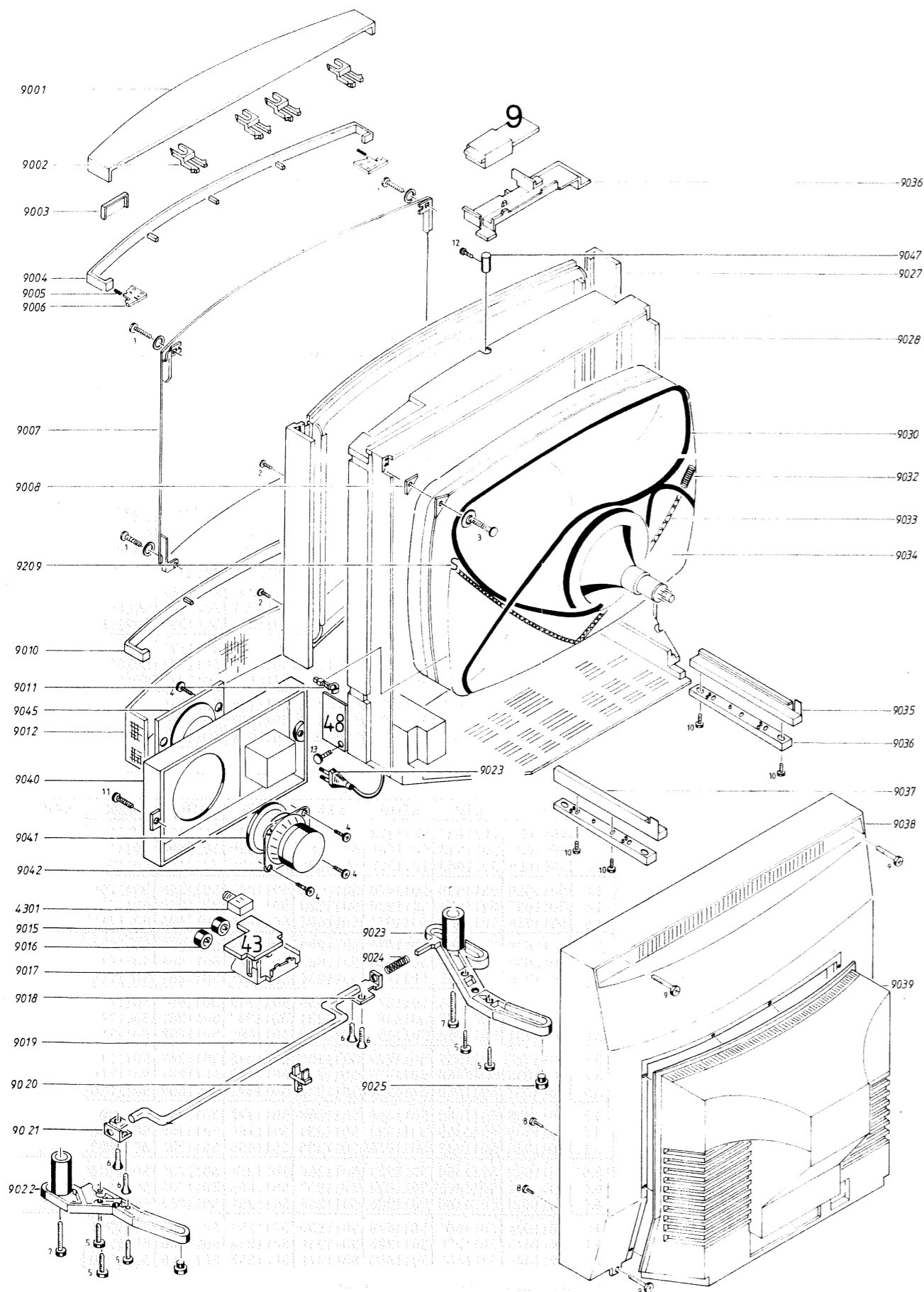
Resistors SMD 2% 1/8 W
SMD 5% 1/8 W

Table of SMD resistors with values ranging from 1.0 to 9.1 and multipliers from x1 to x10M, including tolerance percentages (5%, 2%).

(Glue dots, approx. 200, part no. 3181932).

11-1

11-1
LIST OF MECHANICAL PARTS



11-1
LIST OF MECHANICAL PARTS

Beovision MX 7000

9001	3451008	Lid	9030	8022222	Degaussing coil
9002	2391070	Hinge	9032	2810189	Tension spring
9003	3322092	Window	9033	7510041	Ground current
9004	3450701	Cap	9034	8200074	Picture tube
9006	3164687	Holder	9035	3152677	Guide rail, left
9007	3451039	Contrast screen	9036	2576242	Spacer f/rail
9008	2640053	Spacer	9037	3152678	Guide rail, right
9009	2510119	Clamp	9038	3414244	Back cover, red
9010	3451186	Cap		3414245	Back cover, white
9011	3152778	Holder		3414246	Back cover, black
9012	3320205	Loudspeaker panel		3414248	Back cover, blue
9015	2776033	Press button-STEP		3414249	Back cover, grey
9016	2776032	Press button - ●	9039	3430472	Back cover, small
9017	3152797	Holder	9040	3440157	Loudspeaker panel, right
9018	3031175	Fitting f/tilting foot, left		3440145	Loudspeaker panel, left
9019	3103238	Tilting foot		3340099	Rubber string
9020	3152566	Holder f/tilting foot	9041	3340114	Gasket
9021	3031129	Fitting f/tilting foot, right	9042	8480246	Loudspeaker, bass
9022	3031157	Fitting f/bottom, right	9043	6275993	Mains lead w/filter
9023	3031234	Fitting f/bottom, left	9045	6275989	Mains lead AUS
9024	2819237	Spring	9047	8480237	Loudspeaker, treble
9025	3035032	Rubber foot		2576248	Spacer
9026	3131329	Holder	8007703		Crossover network
9027	3320159	Front frame w/rubber string	3332041		Damping material, small
	3950029	Rubber string	3332042		Damping material, large
9028	3320162	Chassis w/foot			
	3946083	Tightening, side			
	3946084	Tightening, top/bottom			
	3103287	Foot			

Bang & Olufsen

03Modul 8008099 PCB3, Video Output

43Modul 8008077 PCB 7, Headphone
4301 7210742 Socket headphone 3.5mm

09Modul 8007789 PCB 9, IR Transceiver
3302467 Shield, top
3302468 Shield, bottom
3375070 Linse f/IR
3152809 Holder f/diode

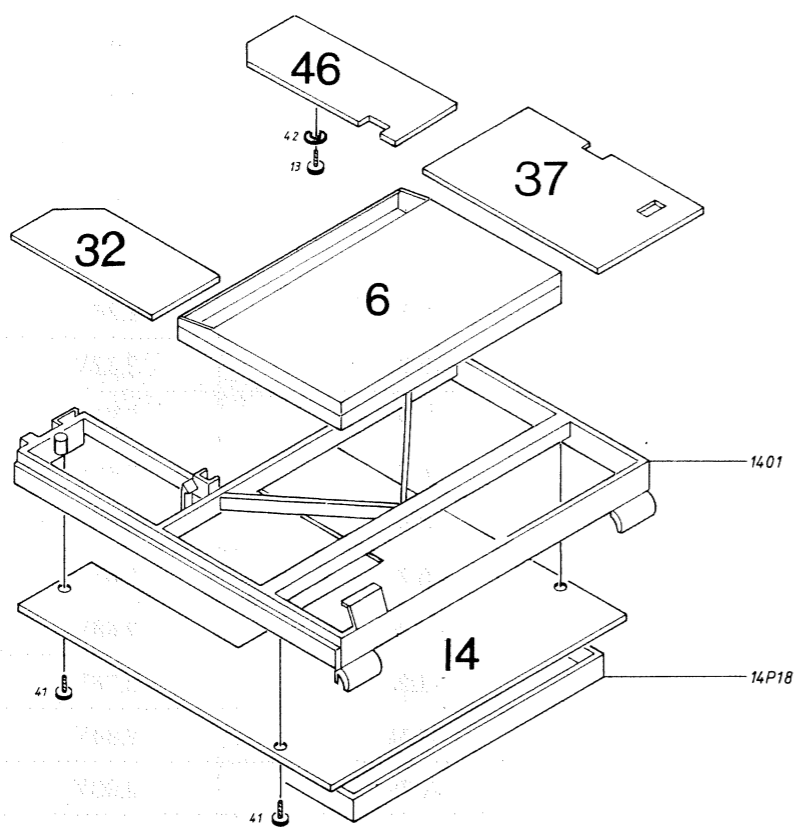
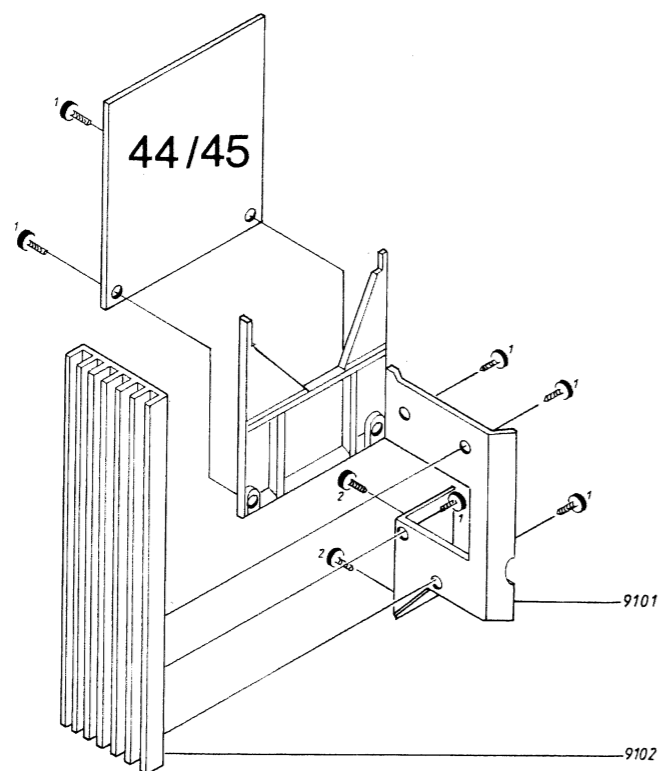
48Modul 8008070 Led, right

49Modul 8008072 Led, left

Survey of screws

1	2015129	Screw 3.5 x 12mm w/washer
2	2013123	Screw 3 x 10mm
3	2044048	Screw 5 x 25mm w/washer
4	2015142	Screw 3.5 x 10mm
5	2019018	Screw 4 x 16mm
6	2019015	Screw 4 x 14mm
7	2021003	Screw 5 x 35mm
8	2019017	Screw 4 x 10mm
9	2021010	Screw 5 x 25/11mm
10	2019018	Screw 4 x 16mm
11	2019021	Screw 4 x 12mm
12	2013182	Screw 3 x 20mm
13	2038097	Screw 3 x 6mm

11-2
LIST OF MECHANICAL PARTS



11-2
LIST OF MECHANICAL PARTS

11-2

Survey of screws

9101	3152895	Holder, left
9102	3152896	Holder, right

1	2011055	Screws 3x10
2	2015142	Screw 3.5x10

6module	8008133	Microcomputer 64k
	8008134	Microcomputer 64k, AUS

14module	8008479	Double AV Switch
1401	3152794	Chassis
14P18	3169011	DIN/Scart panel

32module	8008083	St By Stabilization
----------	---------	---------------------

46module	8008064	Headphone Amplifier
----------	---------	---------------------

44module	8008066	Power Amp. right
----------	---------	------------------

45module	8008068	Power Amp. left
----------	---------	-----------------

Owner's manuals

3501410	Danish	3501415	Dutch
3501411	Swedish	3501416	French
3501412	Finnish	3501417	Italian
3501413	English	3501418	Spanish
3501414	German		

Survey of wire bundles

6276698	Main wire bundle Consist of: 4P13 - 32P79 4P17 - 46P124 4P15 - 14P57 4P12 - 1P5 4P11 - 4P16 1P4 - 37P40 4P18 - 13P36 1P8 - 6P70 37P41 - 39/41P28 32P81 - 39/41P31 14P53 - 37P43	6276681	Wire bundle f. Picture in Picture Consist of: 47P107 - 39/41P32 47P108 - 39/41P33 6276020 46P122 - 14P51 6276699 46P121 - 14P110 6276704 44P142 - 48P148 6276366 44P138 - To NTC 6276704 45P146 - 48P149 6276366 45P137 - To NTC 6276484 13P37 - 39/41P29 6276568 13P38 - 39/41P28 6276475 37P42 - 14P54 6276037 31P96 - 38P3 6276479 31P94 - 1/38P1 6276480 31P97 - 1/38P7 6276568 31P95 - 1/38P2 6276285 3P89 - 4P14 6276206 3P90 - 39/41P30 6276536 9P85 - 32P82 6276476 6P71 - 14P60 6276483 6P72 - 14P61 6276485 6P73 - 14P62 6276481 6P74 - 32P78 6276482 6P75 - 32P77 6276503 4P22 - Deflection 6100308 M48 - Speaker unit 6100309 M48 - Speaker unit 6100308 M49 - Speaker unit 6100309 M49 - Speaker unit
6276705	Wire bundle activ sound Consist of: 46P123 - 43P113 46P125 - 44P140 46P126 - 44P141 46P127 - 45P144 46P128 - 45P145 32P111 - 43P112 32P114 - 44P143 32P115 - 45P147		
6276695	Main wire bundle w/shielded wires Consist of: 4P55 - 39/41P27 4P156 - 39/41P26 4P59 - 1/38P9 4P58 - 1/38P6 4CP1 - 39/41CP10		

12-1

12-1
ADJUSTMENTS, ENGLISH

ADJUSTMENT

Adjustment of bass/treble levels When a speaker is replaced, the level has to be adjusted.
The new unit will have a rated value printed on the back, stated in dB.

This is the target value of the adjustment.

The speaker units need not be connected when the adjustment is performed.

1. Connect an audio oscillator to the AUDIO AUX LINK socket:
 - right channel, pin 5.
 - left channel, pin 3.
 - ground, pin 2.

Signal levels

When adjusting a tweeter, apply a signal of 10kHz – 500mV.

When adjusting a woofer, apply a signal of 1kHz – 500mV.

2. The TV must be switched on during the adjustment, and the following settings must be used:

Volume	60
Bass	0
Treble	0
Balance	0
Loudness	0

NOTE!

If this audio setup is not stored, it has to be repeated in case the TV is switched on after having been switched off during the adjustment procedure.

12-1
ADJUSTMENTS, ENGLISH

Bang&Olufsen

3. To obtain an input signal from the AUDIO AUX LINK socket, press **AV** **RADIO**.
4. Connect a AC voltmeter across the connection terminals of the replaced unit.
Adjust by means of:

Tweeter

right channel: R155-PCB44
left channel: R255-PCB45

Woofer

right channel: R175-PCB44
left channel: R275-PCB45

to the voltage in Table 1 that corresponds to the rated value.

Replacement of PCB44

When PCB44 is replaced, the level of the tweeter has to be adjusted to 2,39V by means of R155-PCB44 and that of the woofer to 2,04V by means of R175-PCB44.

Replacement of PCB45

When PCB45 is replaced, the level of the tweeter has to be adjusted to 2,39V by means of R255-PCB45 and that of the woofer to 2,04V by means of R275-PCB45.

Rated value in dB	Treble	Bass
2,00	1,90V	1,62V
1,75	1,96V	1,67V
1,50	2,01V	1,72V
1,25	2,07V	1,77V
1,00	2,13V	1,82V
0,75	2,19V	1,88V
0,50	2,26V	1,93V
0,25	2,32V	1,98V
0,00	2,39V	2,04V
-0,25	2,46V	2,10V
-0,50	2,53V	2,17V
-0,75	2,61V	2,23V
-1,00	2,68V	2,29V
-1,25	2,76V	2,36V
-1,50	2,84V	2,43V
-1,75	2,93V	2,50V
-2,00	3,01V	2,57V

Tabel 1

Bang&Olufsen

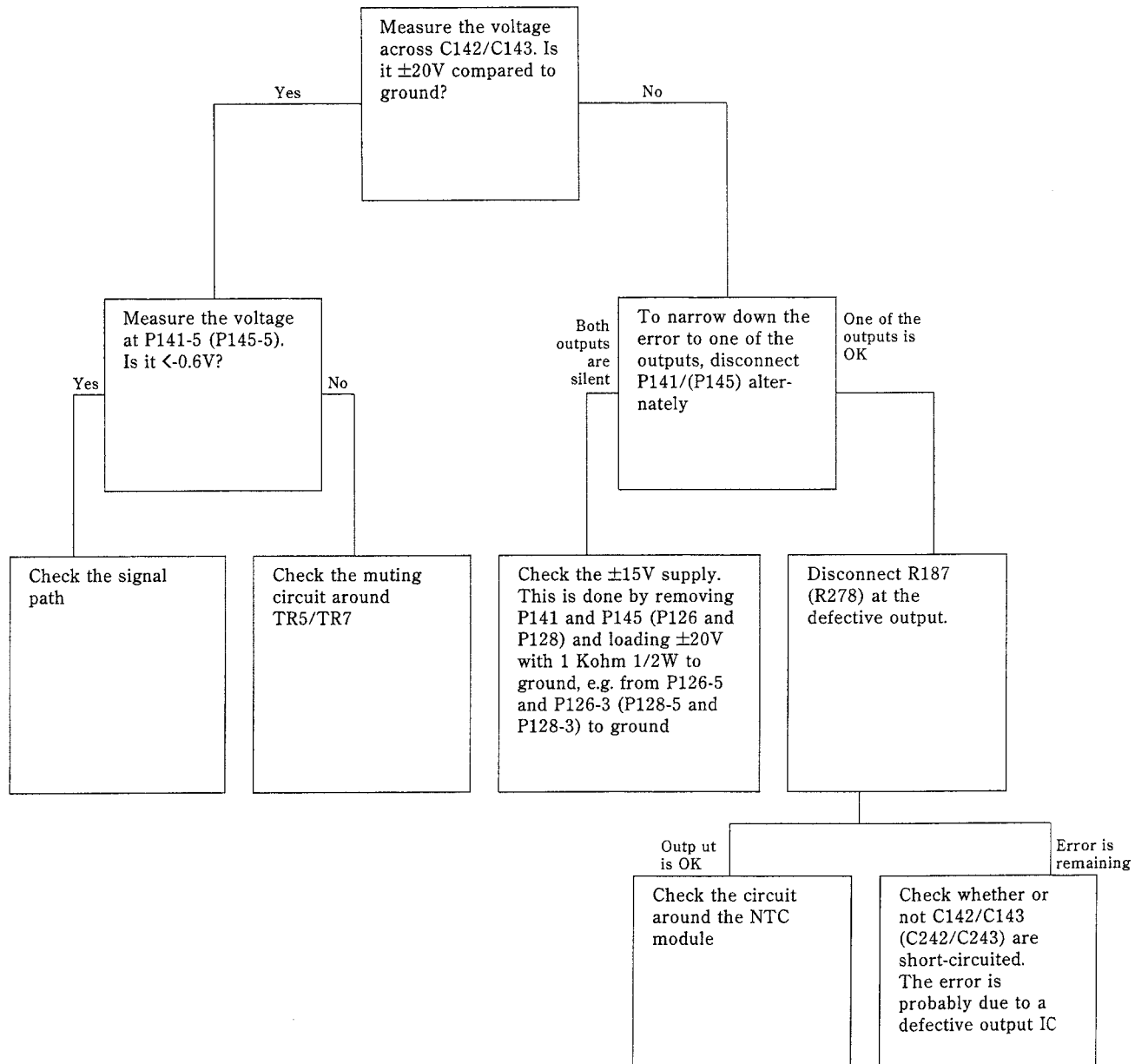
12-2 REPAIR TIPS, ENGLISH

Repair tips

If both outputs are silent, this will often be due to an uneven loading of the $\pm 20\text{V}$ supply.

The chart below can be used to pinpoint the reason for the error.

Position numbers in brackets apply to the left channel.



12-3

REPAIR TIPS, ENGLISH

Bang & Olufsen

ABL (Adaptive Bass Linearization)

The ABL function is checked most easily by connecting an audio oscillator (80 Hz) to the AUDIO AUX LINK socket.

The following settings must be used during the testing procedure:

Volume	80
Bass	0
Treble	0
Balance	0
Loudness	0

NOTE!

If this audio setup is not stored, it has to be repeated in case the TV is switched on after having been switched off during the adjustment procedure.

To obtain an input signal from the AUDIO AUX LINK socket, press **AV** **RADIO**.

Connect a DC voltmeter across R137-PCB44 (R237-PCB45).

Set the audio oscillator level to approx. 70mV, and then increase it slowly until the voltage across R137-PCB44 (R237-PCB45) just begins to increase from 0V. The voltage must be between 0 and 30mV. In this condition the ABL will just be active.

Then increase the level at the input by 10dB.

The voltage across R137-PCB44 (R237-PCB45) must increase to approx. 2.6V immediately.

Damp the level at the input by 10dB.

After 5 to 10 seconds, the voltage across R137-PCB44 (R237-PCB45) must drop to approx. 0V. The ABL is now out of operation.

Bang & Olufsen

12-4 EINSTELLUNGEN, DEUTSCH

EINSTELLUNG

Einstellung des Tiefen-/Höhenpegels

Nach Austausch des Lautsprechers muß der Pegel neu eingestellt werden. Auf der Rückseite der neuen Lautsprechereinheit ist ein in dB aufgedruckter Wert angegeben.

Dies ist der Wert, auf den eingestellt werden muß.
Es ist nicht notwendig, daß die Lautsprechereinheiten während des Einstellvorgangs angeschlossen sind.

1. Tongenerator an die AUDIO AUX LINK-Buchse anschließen:

- Der rechte Kanal an Anschluß 5.
- Der linke Kanal an Anschluß 3.
- Masse an Anschluß 2.

Signalpegel

Zum Einstellen des Hochtonlautsprechers ist ein Signal von 10 kHz – 500 mV zuzuführen.

Zum Einstellen des Tieftonlautsprechers ist ein Signal von 1 kHz – 500 mV zuzuführen.

2. Während des Einstellvorgangs muß das TV-Gerät eingeschaltet sein. Es müssen die folgenden Einstellungen vorgenommen sein:

Volume	60
Bass	0
Treble	0
Balance	0
Loudness	0

Hinweis!

Sofern diese Klang-Einstellung nicht abgespeichert wird, muß die Einstellung wiederholt werden, falls das TV-Gerät während des Einstellvorgangs abgeschaltet gewesen ist.

12-5

EINSTELLUNGEN, DEUTSCH

Bang & Olufsen

- Um ein Signal von der AUDIO AUX LINK-Buchse hereinzubekommen, sind die Tasten **AV** **RADIO** zu drücken.
- Danach ein AC-Voltmeter über die Anschlußklemmen der ausgetauschten Einheit anschließen.
Mit Hilfe der Widerstände

Hochton:

Rechter Kanal: R155-PCB44
Linker Kanal: R255-PCB45

Tiefton:

Rechter Kanal: R175-PCB44
Linker Kanal: R275-PCB45

wird jetzt auf die in Tabelle 1 angeführte Spannung, welche dem angegebenen Wert entspricht, abgeglichen.

Austausch von PCB44

Nach Austausch von PCB44 muß der Pegel des Hochtonlautsprechers mittels R155-PCB44 auf 2,39 V eingestellt werden; der Pegel des Tieftonlautsprechers ist mittels R175-PCB44 auf 2,04 V einzustellen.

Austausch von PCB45

Nach Austausch von PCB45 muß der Pegel des Hochtonlautsprechers mittels R255-PCB45 auf 2,39 V eingestellt werden; der Pegel des Tieftonlautsprechers ist mittels R275-PCB45 auf 2,04 V einzustellen.

Wert in dB	Hochtöner	Tieftöner
2,00	1,90V	1,62V
1,75	1,96V	1,67V
1,50	2,01V	1,72V
1,25	2,07V	1,77V
1,00	2,13V	1,82V
0,75	2,19V	1,88V
0,50	2,26V	1,93V
0,25	2,32V	1,98V
0,00	2,39V	2,04V
-0,25	2,46V	2,10V
-0,50	2,53V	2,17V
-0,75	2,61V	2,23V
-1,00	2,68V	2,29V
-1,25	2,76V	2,36V
-1,50	2,84V	2,43V
-1,75	2,93V	2,50V
-2,00	3,01V	2,57V

Tabelle 1

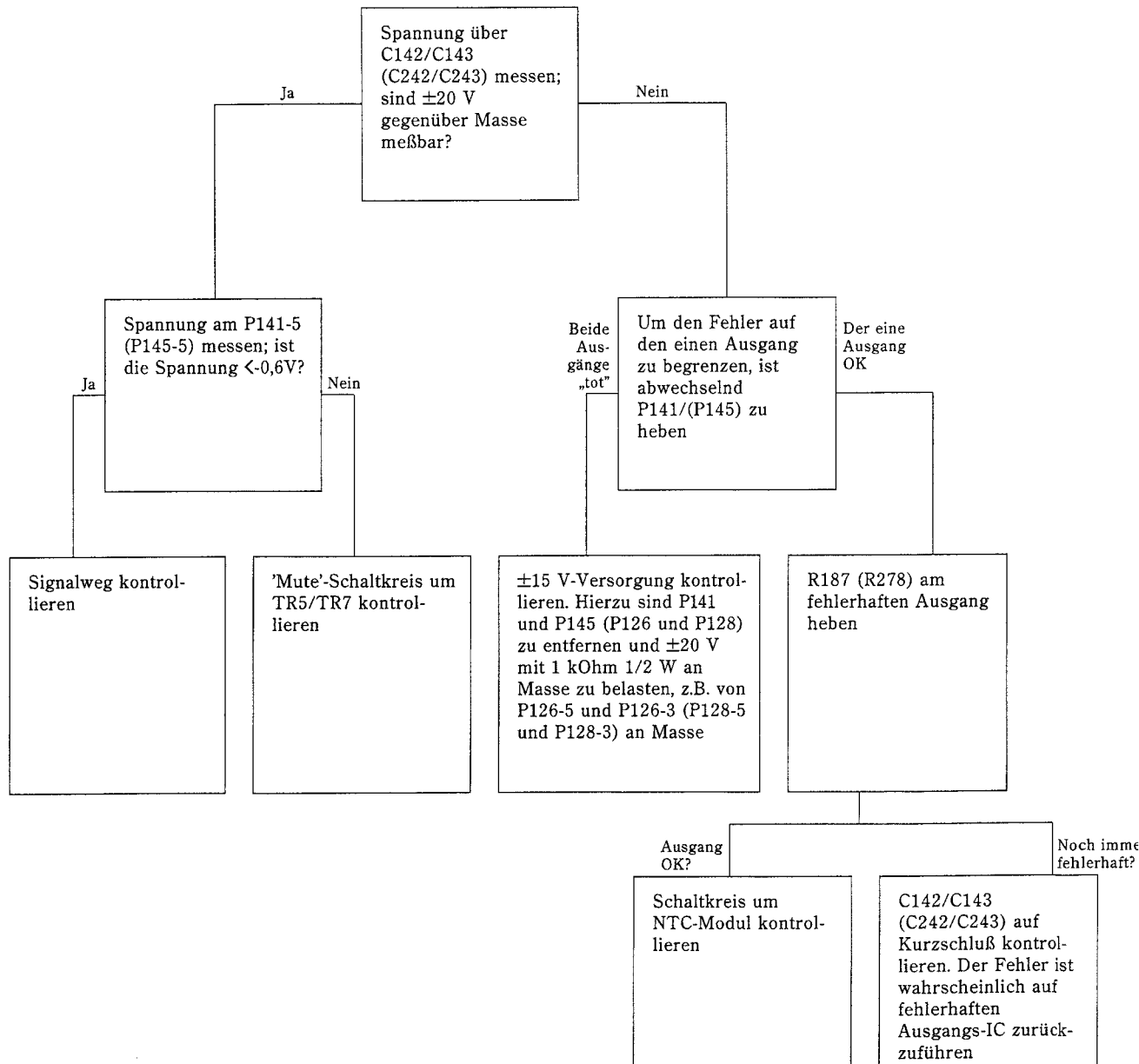
Bang&Olufsen

12-6
REPARATURTIPS, DEUTSCH

Reparaturtips

Falls beide Ausgänge „tot“ sind:
Falls beide Ausgänge „tot“ sind, ist dies meistens auf „schiefe“ Belastung der ± 20 V-Versorgung zurückzuführen. Um die Fehlerursache festzustellen, kann das nachstehende Schema herangezogen werden.

Die in Klammern angeführten Positionsnummern beziehen sich auf den linken Kanal.



12-7

REPARATURTIPS, DEUTSCH

Bang & Olufsen

ABL (Adaptive Bass Linearization)

Die Kontrolle der ABL-Funktion erfolgt am einfachsten durch Anschließen eines Tongenerators (80 Hz) an die AUDIO AUX LINK-Buchse.

Während des Prüfvorgangs müssen die folgenden Einstellungen vorgenommen sein:

Volume	80
Bass	0
Treble	0
Balance	0
Loudness	0

Hinweis!

Sofern diese Klang-Einstellung nicht abgespeichert wird, muß die Einstellung wiederholt werden, falls das TV-Gerät während des Einstellvorgangs abgeschaltet gewesen ist.

Um ein Signal von der AUDIO AUX LINK-Buchse hereinzubekommen, sind die Tasten **AV** **RADIO** zu drücken.

Danach ein DC-Voltmeter über R137-PCB44 (R237-PCB45) anschließen.

Den Pegel am Tongenerator auf ca. 70 mV einstellen und dann langsam hinaufdrehen, bis die Spannung über R137-PCB44 (R237-PCB45) gerade von 0 V anzusteigen beginnt; die Spannung muß zwischen 0 – 30 mV liegen. In diesem Bereich ist die ABL-Funktion gerade aktiv.

Nun den Pegel am Eingang um 10 dB erhöhen.
Die Spannung über R137-PCB44 (R237-PCB45) muß jetzt sofort auf ca. 2,6 V ansteigen.

Nun den Pegel am Eingang um 10 dB zurücknehmen.

Nach Verlauf von 5 - 10 Sekunden muß die Spannung über R137-PCB44 (R237-PCB45) auf ca. 0 V abfallen. Die ABL-Funktion ist jetzt außer Betrieb.

Bang & Olufsen

13-1 INSULATION TEST

INSULATION TEST

Each set *must* be insulation tested after it has been dismantled. The test is to be carried out when the set has been re-assembled and is ready for delivery to the customer.

The insulation test is carried out in the following way:

Short-circuit the two plug pins of the main plug and connect one of the terminals of the insulation tester. Connect the other terminal of the insulation tester to the chassis pin of the AUDIO AUX LINK sockets.

ISOLATIONSPRÜFUNG

Sämtliche geräte *sind* nach der Zerlegung *einer Isolationsprüfung zu unterziehen*. Diese Prüfung hat zu erfolgen, wenn das Gerät wieder vollständig zusammengebaut ist und an den Kunden ausgegeben werden kann.

Die Isolationsprüfung wird wie folgt durchgeführt:

Die beiden Kontaktstifte des Netzsteckers werden kurzgeschlossen und daraufhin an eines der Terminale der Isolationstestgerätes angeschlossen. Die andere Terminal wird an den Masseanschluß AUDIO AUX LINK der Steckdose angeschlossen.

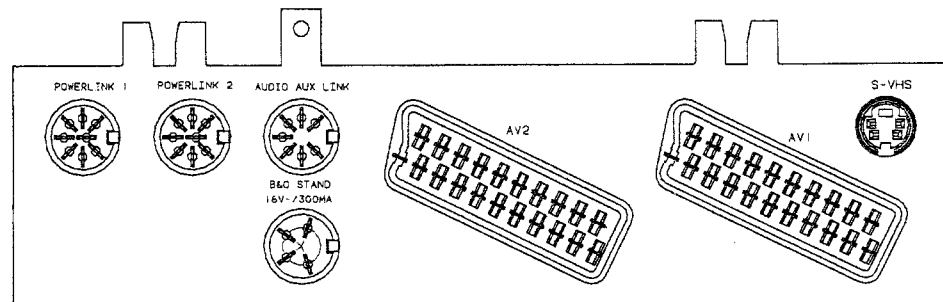
ESSAI D'ISOLEMENT

Tous les appareils *doivent* subir un essai d'isolement après chaque démontage.

L'essai doit s'effectuer lorsque l'appareil est assemblé et prêt remis au client.

L'essai d'isolement s'effectue de la manière suivante:

Les deux broches, à la prise secteur, doivent être court-circuitées, puis connectées sur une des bornes de l'appareil d'essai d'isolement. L'autre borne de l'appareil d'essai d'isolement est couplée à la broche du potentiel de masse de la prise AUDIO AUX LINK.



NOTE!

To avoid damaging the set, it is essential that both insulator test terminals are in really good contact.

Now turn slowly the voltage control down on the insulation tester until a voltage of 1.5-2 kV is obtained. Hold it there for 1 sec, then turn slowly the voltage down again.

Flashovers are not permitted during the testing procedure.

WICHTIGER HINWEIS!

Zur Vermeidung von Schäden am Gerät ist es wichtig, daß die beiden Terminale des Isolations-testgerätes einen wirklich einwandfreien Kontakt aufweisen.

Es wird jetzt langsam am Spannungsregler des Isolationstestgerätes gedreht, bis eine Spannung von 1,5 - 2 kV erreicht wird. Diese Spannung ist 1 Sekunde lang zu halten, wonach der Spannungsregler wieder langsam zurückgedreht wird.

Es dürfen zu keinem Zeitpunkt während des Prüfvorgangs Überschlüge vorkommen.

REMARQUE!

Pour éviter d'endommager l'appareil, il est important que les deux bornes de l'appareil d'essai d'isolement possèdent un très bon contact.

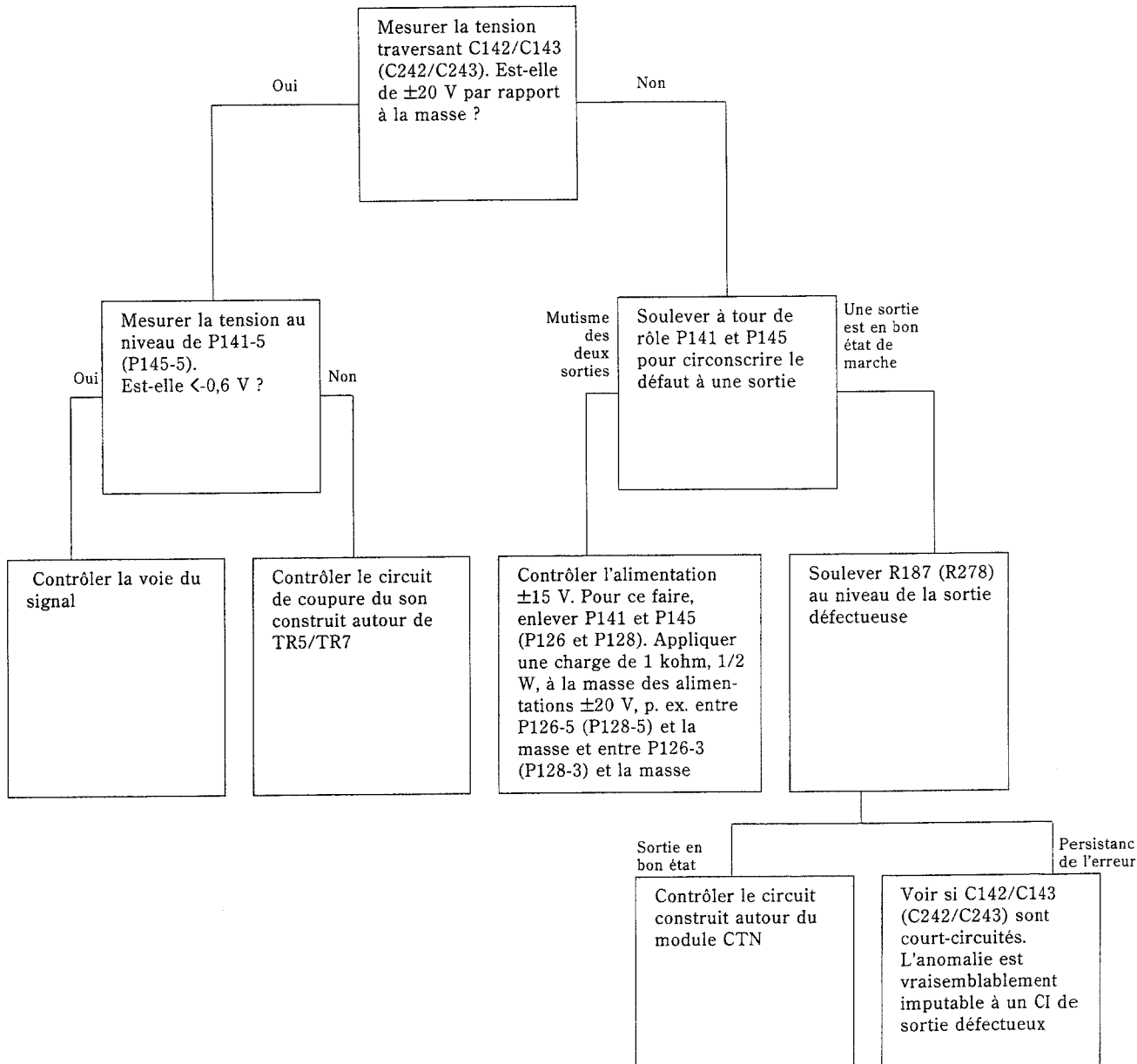
Tourner lentement le réglage de la tension situé sur l'appareil d'essai d'isolement jusqu'à obtenir une tension de 1,5 - 2 kV. Maintenir une seconde sur cette tension, puis diminuer de nouveau progressivement la tension.

Pendant la durée de l'essai, il ne faut, à aucun moment, qu'il se produise un amorçage.

Conseils de réparation

Le mutisme des deux sorties est souvent imputable à une mauvaise répartition de la charge appliquée à l'alimentation ± 20 V. L'algorithme ci-dessous peut servir à déterminer l'origine de l'anomalie.

Les indications entre parenthèses renvoient à la voie gauche.



(linéarisation adaptative des
es) Le raccordement d'un oscillateur à basse fréquence (80 Hz) à la prise
AUDIO AUX LINK facilite le contrôle de cette fonction. Lors de
l'essai, il convient de procéder aux réglages suivants:

Volume	80
Bass	0
Treble	0
Balance	0
Loudness	0

Attention !

Il convient de procéder à un nouveau réglage si le téléviseur a été
coupé lors de la procédure et que cette configuration "son" n'a pas été
mémorisée.

Appuyer sur **[AV]** **[RADIO]** pour appliquer le signal venant de la prise
AUDIO AUX LINK.

Raccorder un voltmètre cc au travers de R137-PCB44 (R237-PCB45).

Régler le niveau de l'oscillateur à basse fréquence sur 70 mV env. et
l'augmenter lentement jusqu'à mesurer en R137-PCB44 (R237-PCB45)
une tension autre que 0 V. La tension doit être comprise entre 0 et 30
mV. La fonction ABL est alors active.

Le niveau à l'entrée gagne alors 10 dB.

La tension traversant R137-PCB44 (R237-PCB45) augmente
instantanément pour atteindre 2,6 V env.

Le niveau de l'entrée est affaibli de 10 dB.

La tension traversant R137-PCB44 (R237-PCB45) doit tomber à 0 V
env. au bout de 5 à 10 secondes. La fonction ABL n'est plus active.

REGLAGE**Réglage du niveau des graves et des aigus**

Il convient de régler le niveau lors du remplacement de l'enceinte. Une valeur exprimée en dB est indiquée sur la face arrière de la nouvelle enceinte.

Il s'agit de la valeur de réglage.

Lors du réglage, il n'est pas nécessaire de raccorder les enceintes.

1. Raccorder un oscillateur à basse fréquence à
 - la borne 5 de la prise AUDIO AUX LINK pour la voie droite
 - et à
 - la borne 3 de la prise AUDIO AUX LINK pour la voie gauche.
 - Relier la masse à la borne 2.

Niveaux des signaux

Appliquer un signal de 10 kHz – 500 mV pour régler le haut-parleur des aigus.

Appliquer un signal de 1 kHz – 500 mV pour régler le haut-parleur des graves.

2. Lors du réglage, le téléviseur doit être allumé et les réglages suivants doivent avoir été effectués :

Volume	60
Bass	0
Treble	0
Balance	0
Loudness	0

Attention !

Il convient de procéder à un nouveau réglage si le téléviseur a été coupé lors de la procédure et que cette configuration "son" n'a pas été mémorisée.

PLAGES, FRANÇAIS

3. Appuyer sur **AV** **RADIO** pour appliquer le signal venant de la prise AUDIO AUX LINK.
4. Utiliser les bornes de connexion pour raccorder un voltmètre ca à la nouvelle unité.
Régler les composants suivants pour obtenir la tension mentionnée au tableau 1 correspondant à la valeur indiquée :

Pour les aigus :

voie droite : R155-PCB44
voie gauche : R255-PCB45

Pour les graves :

voie droite : R175-PCB44
voie gauche : R275-PCB45

Remplacement de la carte PCB44 Lors du remplacement de la carte PCB44, régler le niveau du HP d'aigu sur 2,39 V en agissant sur R155-PCB44. Ajuster le niveau du HP de grave sur 2,04 V en utilisant R175-PCB44.

Remplacement de la carte PCB45 Lors du remplacement de la carte PCB45, régler le niveau du HP d'aigu sur 2,39 V en agissant sur R255-PCB45. Ajuster le niveau des graves sur 2,04 V en utilisant R275-PCB45.

Indication en dB	Aigus	Grave
2,00	1,90V	1,62V
1,75	1,96V	1,67V
1,50	2,01V	1,72V
1,25	2,07V	1,77V
1,00	2,13V	1,82V
0,75	2,19V	1,88V
0,50	2,26V	1,93V
0,25	2,32V	1,98V
0,00	2,39V	2,04V
-0,25	2,46V	2,10V
-0,50	2,53V	2,17V
-0,75	2,61V	2,23V
-1,00	2,68V	2,29V
-1,25	2,76V	2,36V
-1,50	2,84V	2,43V
-1,75	2,93V	2,50V
-2,00	3,01V	2,57V

Tableau 1

50

Suppl 1

Bang & Olufsen

Nicam system L
interface for

Beovision AV 9000

Type 43XX

Beovision LX5000/6000

Type 336X/334X

Beovision MX4000/6000

Type 332X/330X

Beovision MX7000

Type 338X/3390

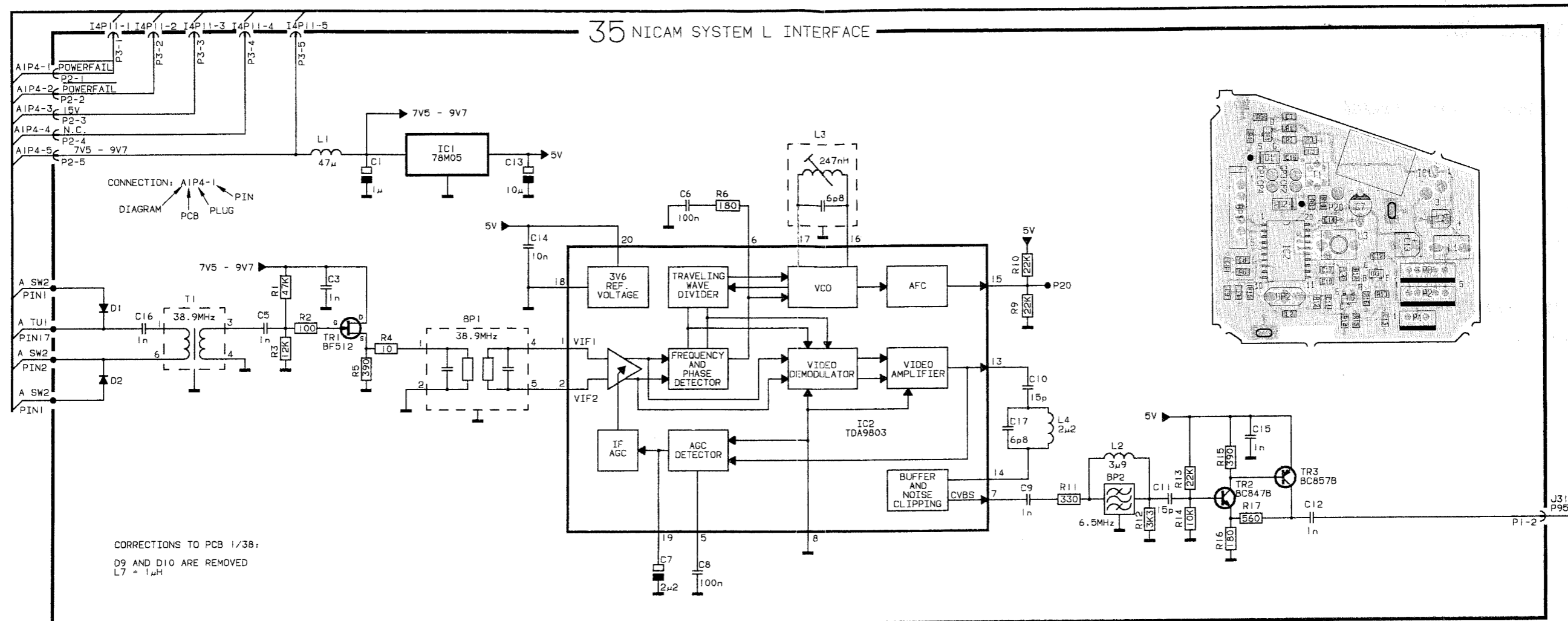
Service Manual Beovision AV9000, 3538813

Circuit Description

3540246 French (Nicam 728)



DIAGRAM Nicam L Interface



LIST OF ELECTRICAL PARTS

PCB 35, 8007958
Nicam L interface

IC1 8340212 78M05 IC2 8342611 TDA9803

TR1 8320611 BF512 TR3 8320811 BC857B
TR2 8320755 BC847B

D1- 8300635 BA683
D2

C1 4201257 1μF 20% 50V C10- 4000402 15pF 5% 50V
C3 4000424 1nF 5% 50V C11 4000424 1nF 5% 50V
C5 4000424 1nF 5% 50V C12 4000424 1nF 5% 50V
C6 4010274 100nF 25V C13 4201163 10μF 20% 35V
C7 4200517 2.2μF 20% 50V C14 4010271 10nF 10% 50V
C8 4010274 100nF 25V C15- 4000424 1nF 5% 50V
C9 4000424 1nF 5% 50V C16 4000424 1nF 5% 50V
C17 4000463 6.8pF ±0.5pF

L1 8020916 Coil 47μH L3 8021033 Coil 77.8MHz
L2 8021080 Coil 3.9μH 10% L4 8021079 Coil 2.2μH 10%

BP1 8030247 Filter 0FW, G9251M BP2 8030242 Ceramic filter 6.5MHz

T1 8010153 Trafo

P1 7220710 Plug 3 pole P2- 7220712 Plug 5 pole
P3

Adjustment

- Connect an aerial signal to the product, and tune in to a station, (Finetune = 0).
- Connect a DC voltmeter at P20.
- Adjust by means of L3 until a measurement of 2.5V ±0.1V is obtained.

Réglage

- Raccorder l'appareil à un signal d'antenne et régler sur une station, (Finetune = 0).
- Raccorder un voltmètre cc à P20.
- A l'aide de L3, régler jusqu'à obtenir 2,5 V ±0,1 V.